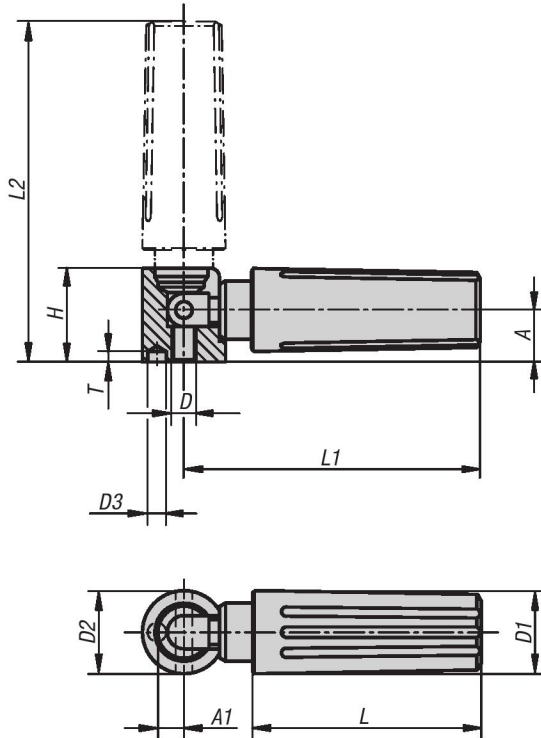




# Machine and Handwheel Handles

INCH  
Parts

METRIC  
Parts



**Novo-Grip Handles** are ergonomically designed with great versatility. Engineered for strength, durability and precision performance. These stylish handles will make any application stand out.

**Material:**

Black gray thermoplastic.

**Type:**

Steel parts black oxide finish.

**Part Number Example:**

K0264.1AE

**Note:**

Revolving Handles are supplied assembled and can be fitted to handwheels, cranks or any other operating element.

The hole D3 is used for positioning.

## KIPP Fold-Away Handles, inch

Item No.	Size	D	D1	D2	D3	A	A1	H	L	L1	L2	T
K0264.1AE	1	8-32	13	13	2.5	8	4.3	14.5	35	47	54.5	4.5
K0264.2A1	2	10-32	16	16	3.5	10	5.3	18	44	58	67	4.5
K0264.3A2	3	1/4-20	20	20	4.5	12.5	6.5	22.5	55	71.5	82	6
K0264.4A3	4	5/16-18	25	26	5.5	16	9	29	70.5	98.5	112.5	6.5

## KIPP Fold-Away Handles, metric

Item No.	Size	D	D1	D2	D3	A	A1	H	L	L1	L2	T
K0264.104	1	M4	13	13	2,5	8	4,3	14,5	35	47	54,5	4,5
K0264.205	2	M5	16	16	3,5	10	5,3	18	44	58	67	4,5
K0264.306	3	M6	20	20	4,5	12,5	6,5	22,5	55	71,5	82	6
K0264.408	4	M8	25	26	5,5	16	9	29	70,5	98,5	112,5	6,5