

# Aluminum Star Grips

similar to DIN 6336

METRIC  
Parts

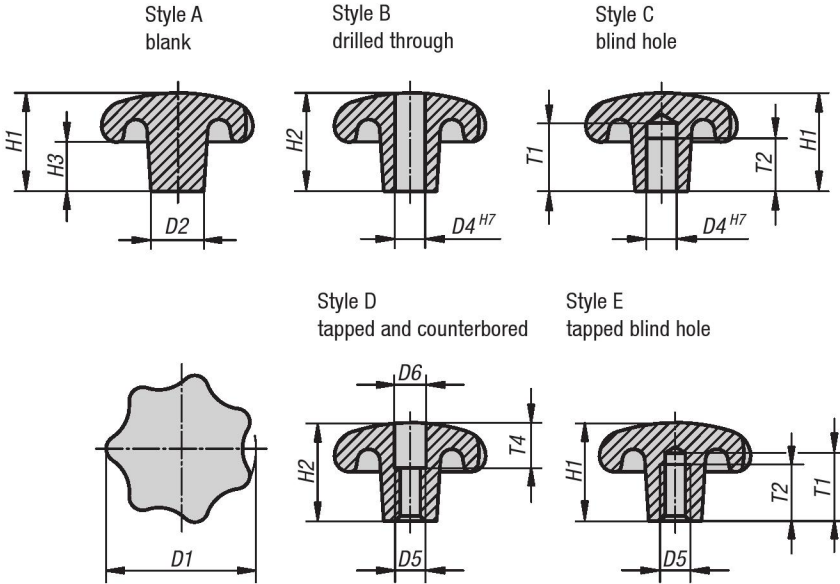


**Material:**  
Aluminum.

**Type:**  
Natural finish tumbled or ground and polished.

**Part Number Example:**  
K0149.14008

**On request:**  
Blank star grips (not tumbled).



# Aluminum Star Grips

similar to DIN 6336



## KIPP Aluminum star grips similar to DIN 6336, metric

Item No.	Version	Style	D1	D2	H1	H3
K0149.14008	tumbled	A	40	14	26	13
K0149.15010	tumbled	A	50	18	34	17
K0149.16312	tumbled	A	63	20	42	21
K0149.18016	tumbled	A	80	25	52	25

Item No. tumbled	Item No. polished	Style	D1	D2	D4	H2	H3
K0149.24008	K0149.240082	B	40	14	8	25	13
K0149.25010	K0149.250102	B	50	18	10	32	17
K0149.26312	K0149.263122	B	63	20	12	40	21
K0149.28016	K0149.280162	B	80	25	16	50	25

Item No. tumbled	Item No. polished	Style	D1	D2	D4	H1	H3	T1	T2
K0149.34008	K0149.340082	C	40	14	8	26	13	18	15
K0149.35010	K0149.350102	C	50	18	10	34	17	21	18
K0149.36312	K0149.363122	C	63	20	12	42	21	25	22
K0149.38016	K0149.380162	C	80	25	16	52	25	32	28

Item No. tumbled	Item No. polished	Style	D1	D2	D5	D6	H2	H3	T4
K0149.44008	K0149.440082	D	40	14	M8	8,4	25	13	12
K0149.45010	K0149.450102	D	50	18	M10	10,5	32	17	16
K0149.46312	K0149.463122	D	63	20	M12	13	40	21	20
K0149.48016	K0149.480162	D	80	25	M16	17	50	25	30

Item No. tumbled	Item No. polished	Style	D1	D2	D5	H1	H3	T1	T2
K0149.54008	K0149.540082	E	40	14	M8	26	13	18	15
K0149.55010	K0149.550102	E	50	18	M10	34	17	21	18
K0149.56312	K0149.563122	E	63	20	M12	42	21	25	22
K0149.58016	K0149.580162	E	80	25	M16	52	25	32	28