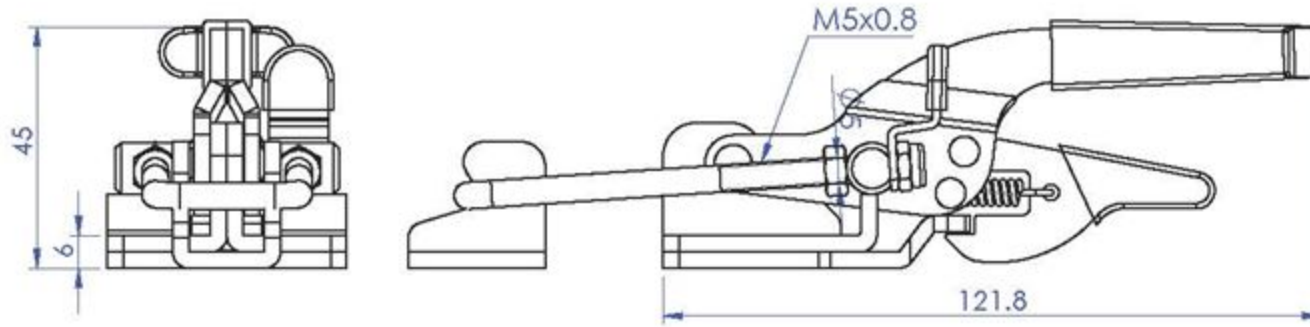
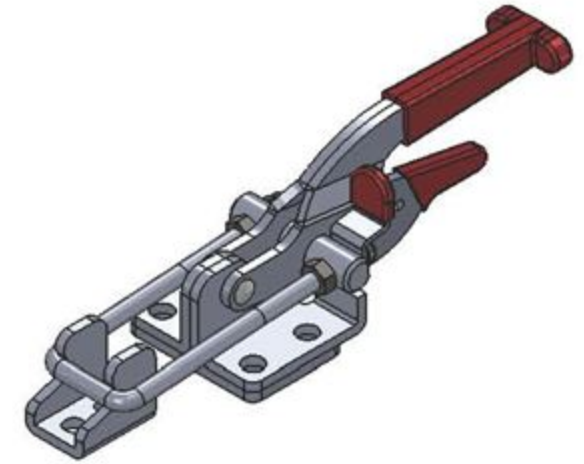
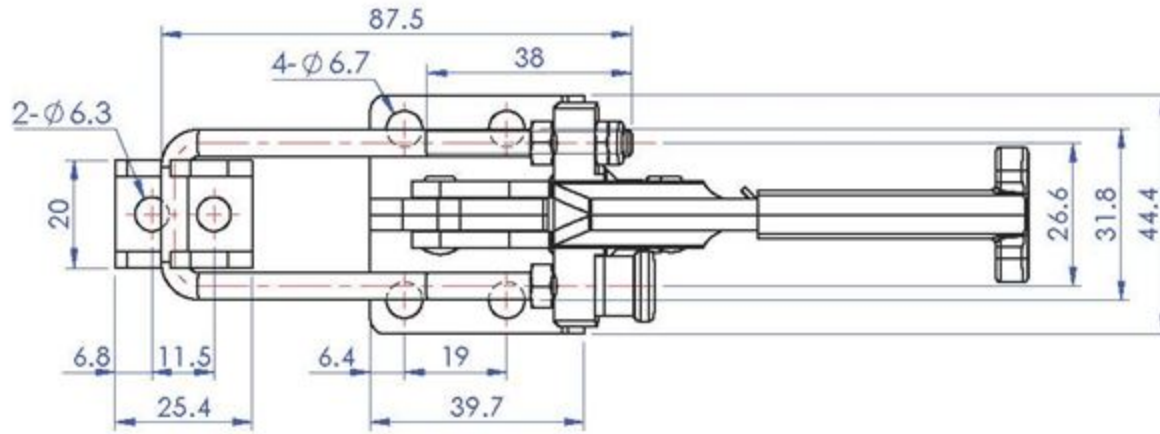


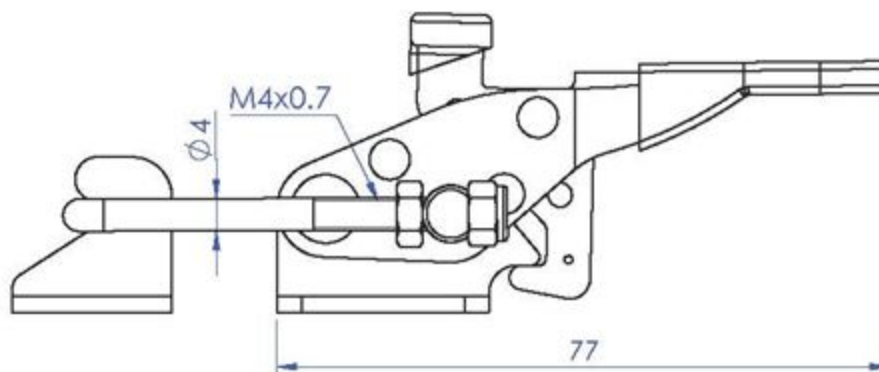
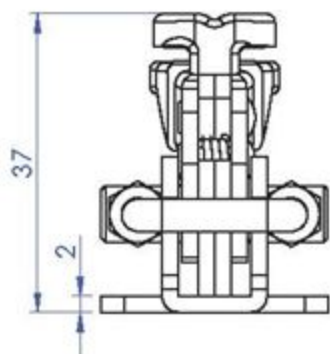
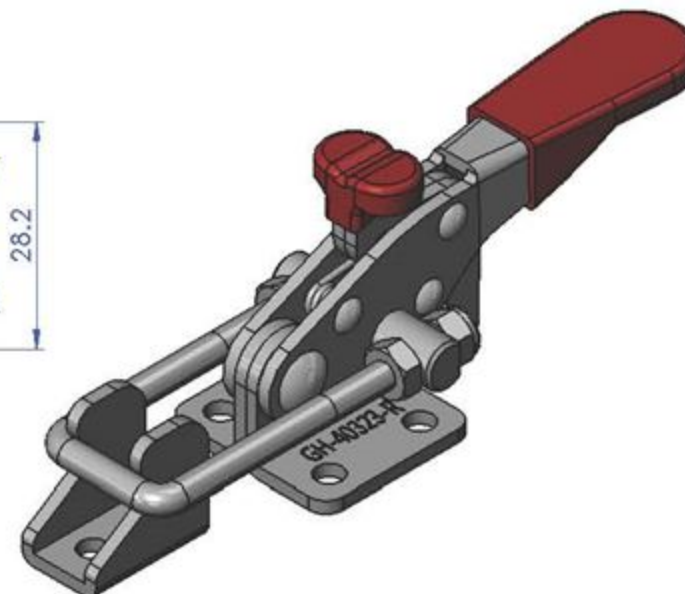
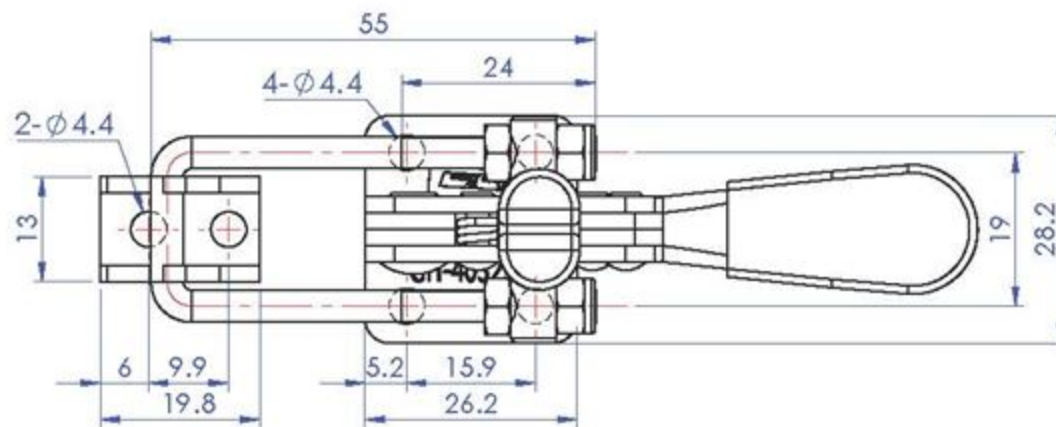
Part No:	GH-431M-R
Holding Capacity:	318Kg
Weight:	0.268Kg
Latch Plate Supplied:	GH-431-LP



Unit:mm  
Scale: 1:1.5

<b>Good Hand UK Ltd</b>	
TITLE:	
DWG NO.	GH-431M-R
	A4

Part No:	GH-40323-R
Holding Capacity:	163Kg
Weight:	0.09Kg
Latch Plate Supplied:	GH-40323-LP



Unit:mm

Scale: 1:1

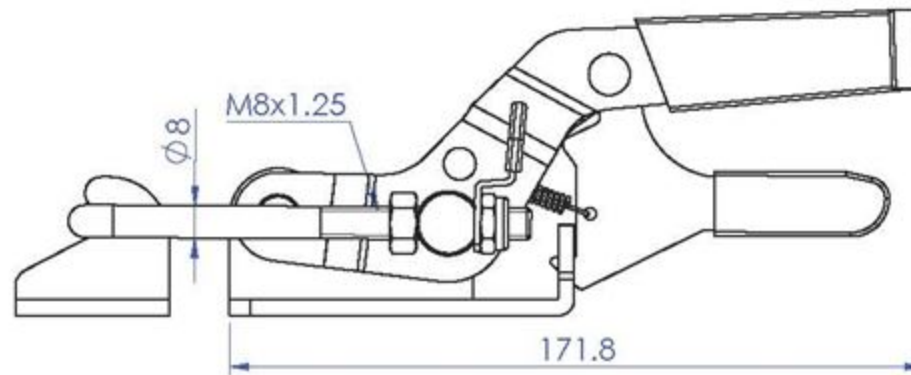
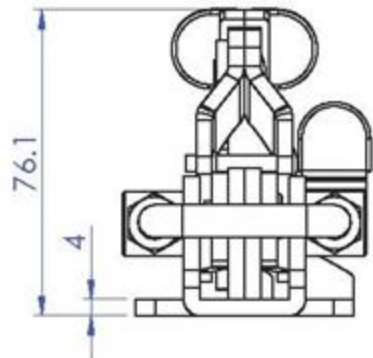
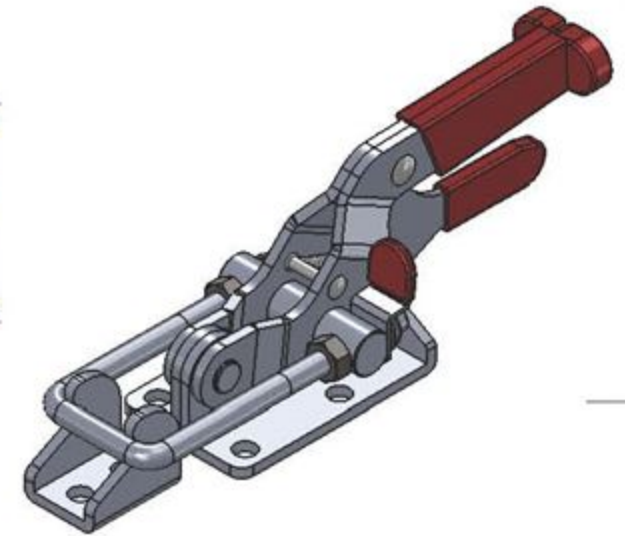
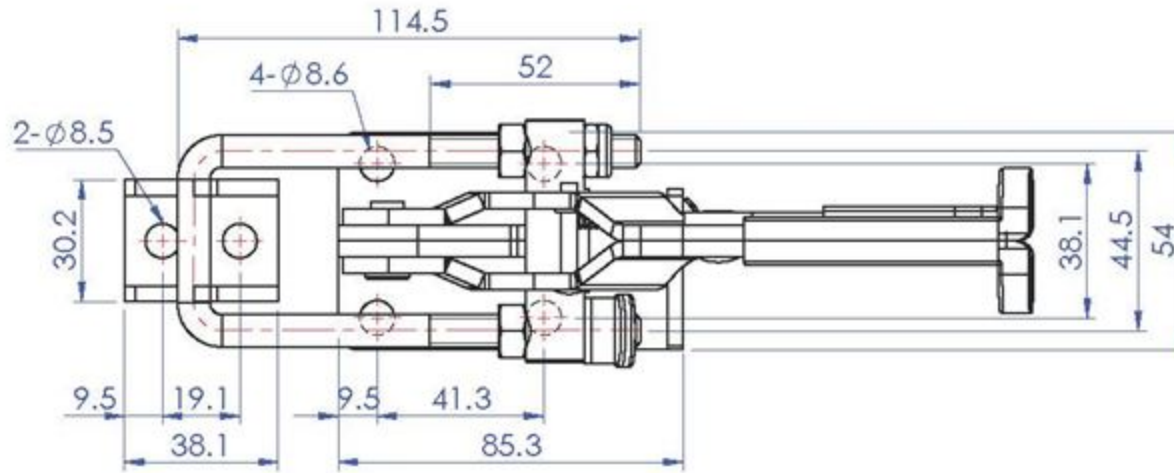
**Good Hand UK Ltd**

TITLE:

DWG NO. GH-40323-R

A4

Part No:	GH-40341-R
Holding Capacity:	900Kg
Weight:	0.75Kg
Latch Plate Supplied:	GH-40341-LP



Unit:mm

Scale: 1:2

**Good Hand UK Ltd**

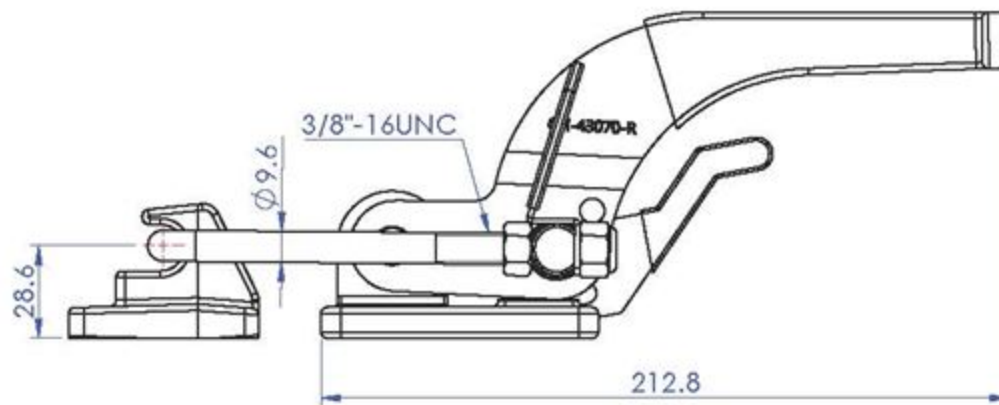
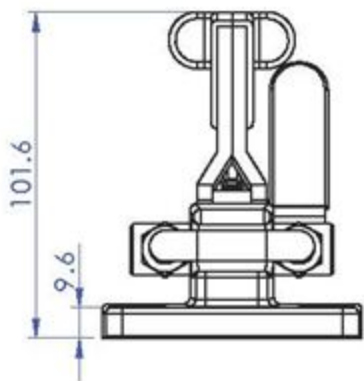
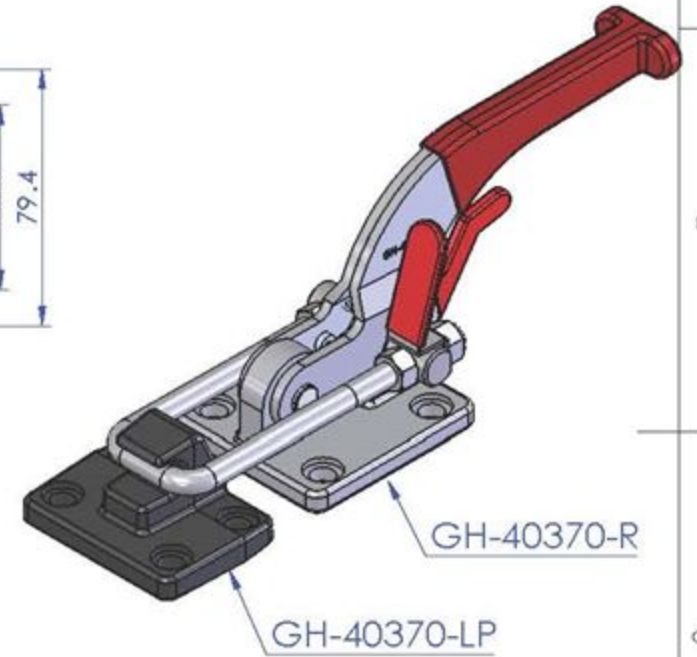
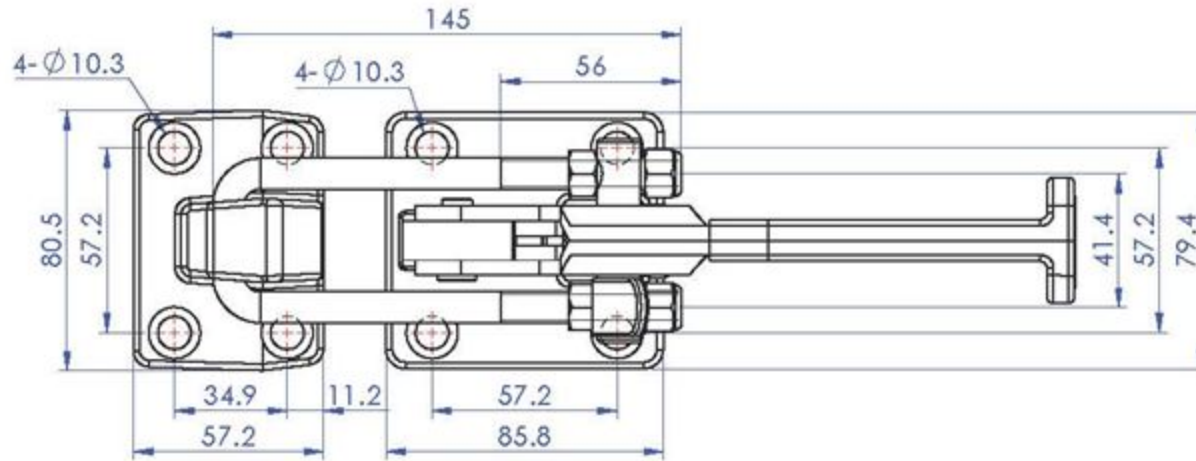
TITLE:

DWG NO.

GH-40341-R

A4

Part No:	GH-40370-R
Holding Capacity:	1818Kg
Weight:	1.343Kg
Latch Plate Supplied:	GH-40370-LP



Unit:mm

Scale: 1:2.5

**Good Hand UK Ltd**

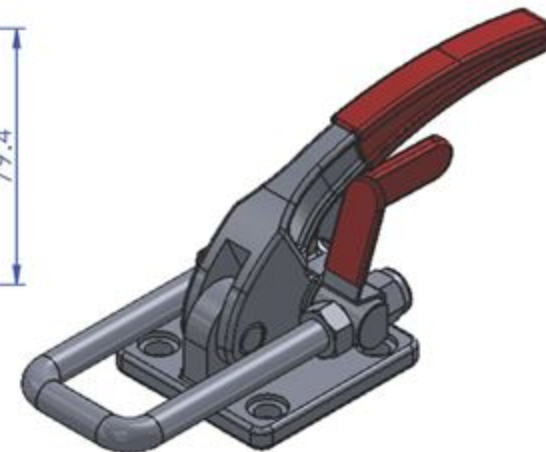
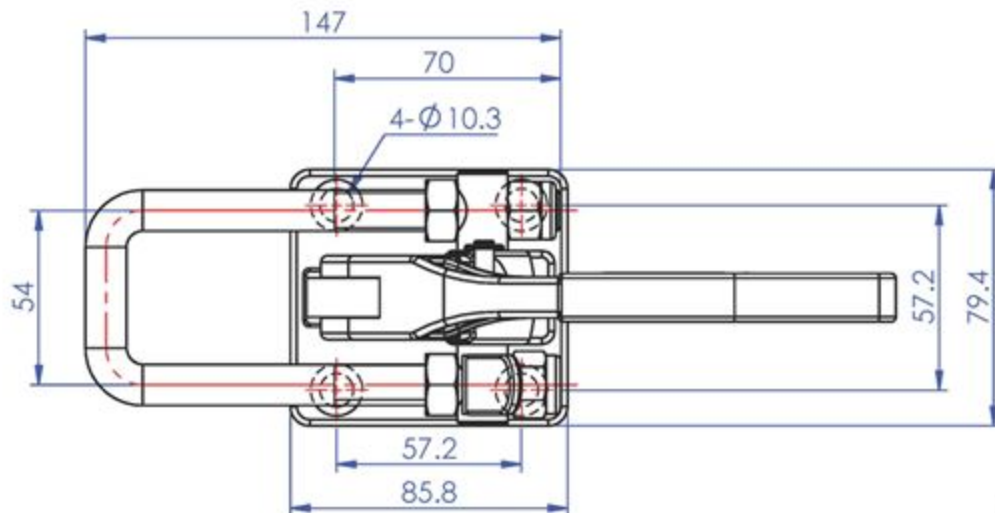
TITLE:

DWG NO. GH-40370-R

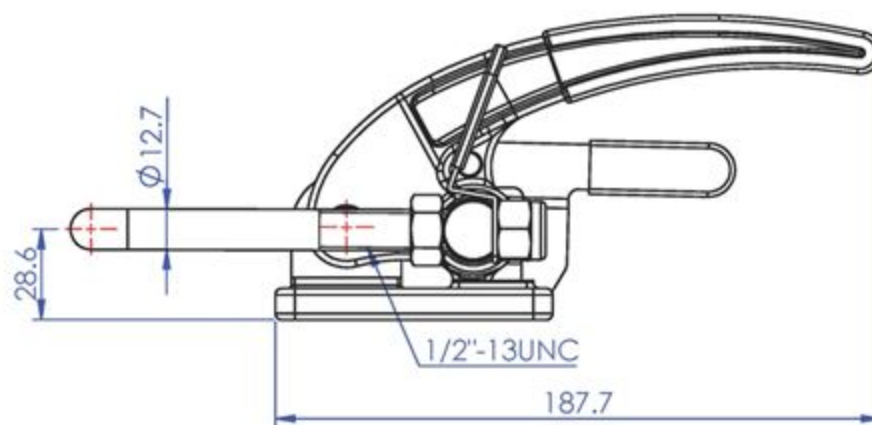
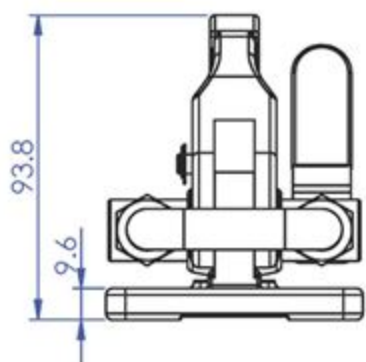
A4



Part No:	GH-40380-R
Holding Capacity:	3400Kg
Weight:	1.61Kg
Latch Plate Supplied:	GH-40370-LP




GH-40380-R



Unit:mm

Scale: 1:2.5

 <b>Good Hand Enterprise Co., Ltd</b>	
TITLE:	
DWG NO.	GH-40380-R
A4	