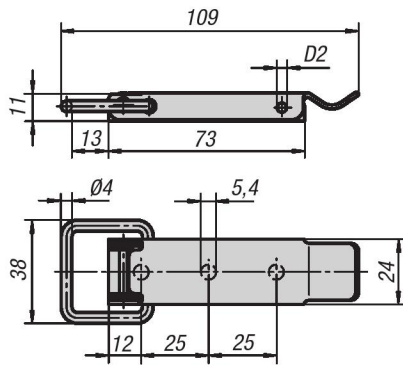


Latches

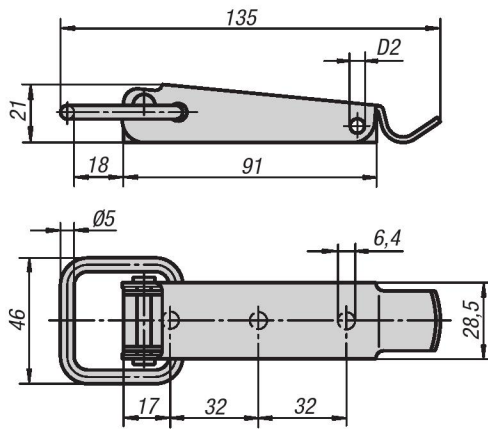
with draw bail

METRIC
Parts

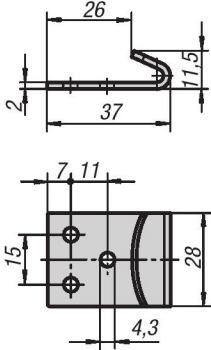
latch
Style A



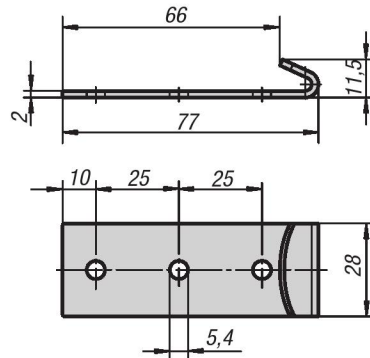
latch
Style B



catch plate
Style A



catch plate
Style B



Material:

Steel or stainless steel 1.4301

Type:

Galvanized and blue chromate.
stainless steel natural finish.

Part Number Example:

Latch K0045.1541091

Catch plate K0045.9143371

Note:

Latches with draw bail for safe holding and locking of hatches, container lids, machine cladding etc. By exceeding the dead center they resist vibration.

The locking force is applied by drawing on the bail.

The hole D2 can be used to secure against unintentional opening or attaching an official lead seal.

The latches can be screwed down or riveted.

Order catch plates separately. The retaining force F1 applies to the latch, not the catch plate.

On request:

Lockable version with padlock bracket.

KIPP Latches with draw bail, metric

Item No. steel	Item No. stainless steel	Style	D2	Retaining force F1 N
K0045.1541091	K0045.1541092	A	3,2	2000
K0045.2641351	K0045.2641352	B	3,8	3000

KIPP Catch plate, metric

Item No. steel	Item No. stainless steel	Style
K0045.9143371	K0045.9143372	A
K0045.9254771	K0045.9254772	B