



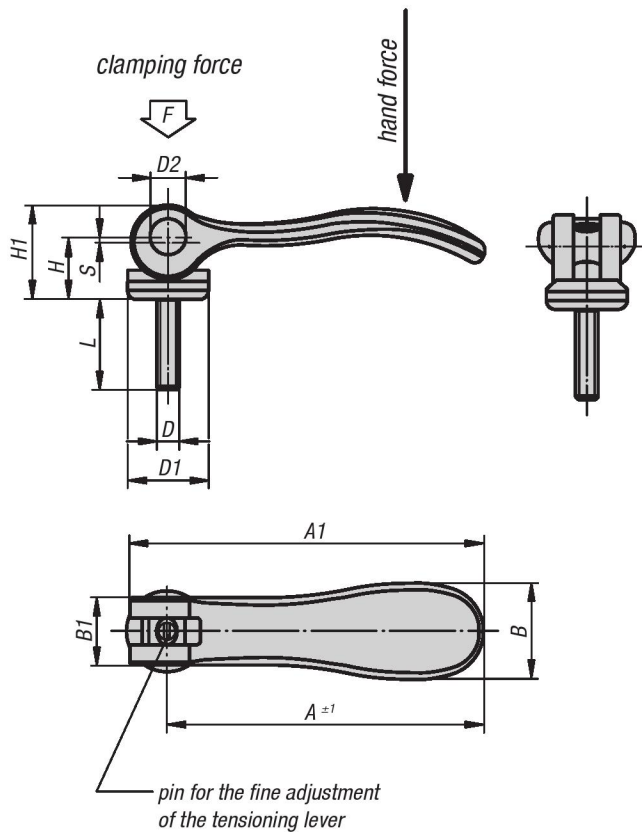
Adjustable Cam Levers in stainless steel

with external thread



INCH
Parts

METRIC
Parts



Material:

Handle 1.4308;
thrust washer in glass-fibre reinforced plastic
PA 66 GF 35-X;
hinge pin, threaded stud and washer 1.4305

Type:

Handle electrolytic polished;
thrust washer black;
hinge pin, threaded stud and washer natural
finish

Part Number Example:

K0647.15120A1X20
(include length L)

Note:

Adjustable Cam Levers are unique from the original Cam Lever Series in that Adjustable Cam Levers have a screwdriver slot located at the top end of the stud to allow for fine adjustment when clamping space is limited. Plastic materials are subject to creep under compression (Retardation).

KIPP Adjustable Cam Levers with external thread, all stainless steel, inch

Item No.	D	D1	D2	B	B1	H	H1	A	A1	Stroke S	L	Clamping force F (kN)	Hand force N
K0647.15120A1X	10-32	18.1	9	21.5	15	14.5	22	70.4	79.2	1.2	20/30/40/50	4	120
K0647.15120A2X	1/4-20	18.1	9	21.5	15	14.5	22	70.4	79.2	1.2	20/30/40/50	4	120
K0647.25120A3X	5/16-18	27.1	11	33.3	24	18	28.5	96	108	1.5	25/30/40/50	8	350
K0647.25120A4X	3/8-16	27.1	11	33.3	24	18	28.5	96	108	1.5	25/30/40/40	8	350

KIPP Adjustable Cam Levers with external thread, all stainless steel, metric

Item No.	D	D1	D2	B	B1	H	H1	A	A1	Stroke S	L	Clamping force F (kN)	Hand force N
K0647.1512005X	M5	18,1	9	21,5	15	14,5	22	70,4	79,2	1,2	20/30/40/50	4	120
K0647.1512006X	M6	18,1	9	21,5	15	14,5	22	70,4	79,2	1,2	20/30/40/50	4	120
K0647.2512008X	M8	27,1	11	33,3	24	18	28,5	96	108	1,5	25/30/40/50	8	350
K0647.2512010X	M10	27,1	11	33,3	24	18	28,5	96	108	1,5	25/30/40/40	8	350