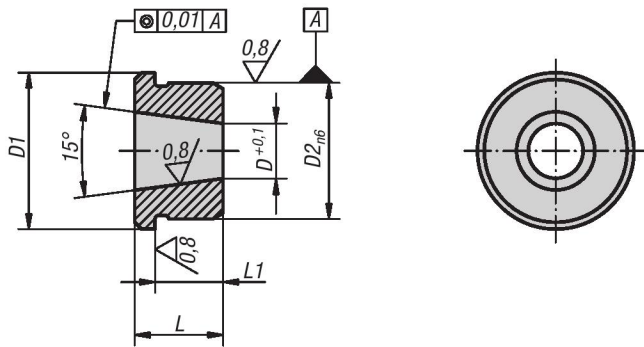


# Tapered Bushings

METRIC  
Parts



**Material:**

Steel.

**Type:**

Hardened and ground

**Part Number Example:**

K0360.10

**Note:**

Bushings for Precision Indexing Plungers K0359.

## KIPP Tapered Bushings, metric

Item No.	D	D1	D2	L	L1
K0360.10	7,1	19	16	11	8,5
K0360.12	8,28	23	20	13	10
K0360.16	11,52	28	25	17	14
K0360.20	15,49	33	30	16	13
K0360.25	19,7	42	38	19	16