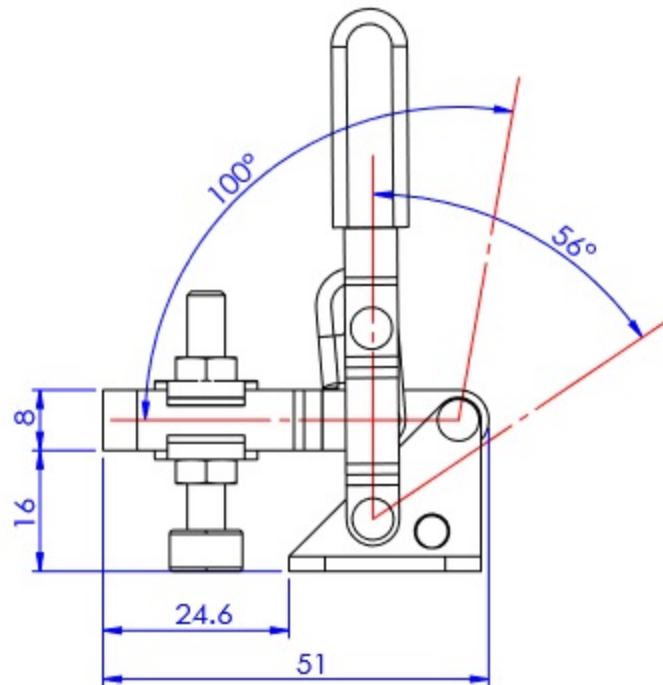
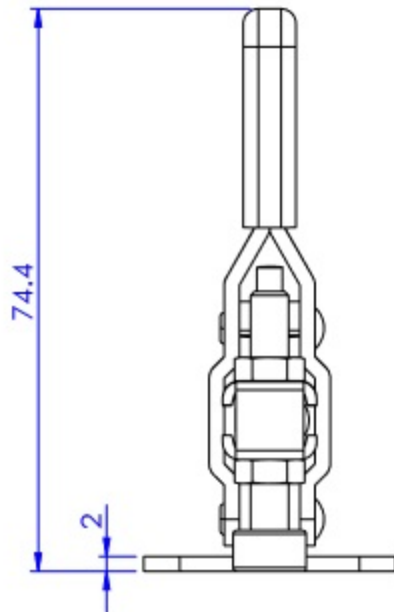
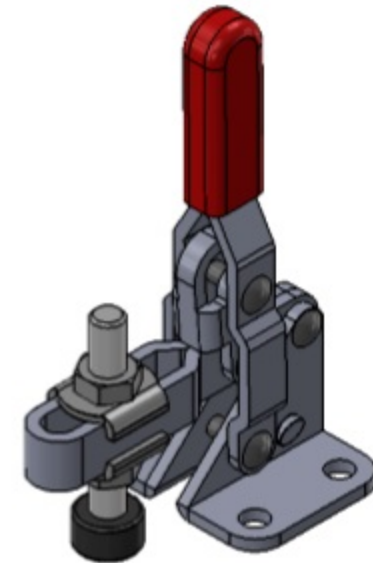
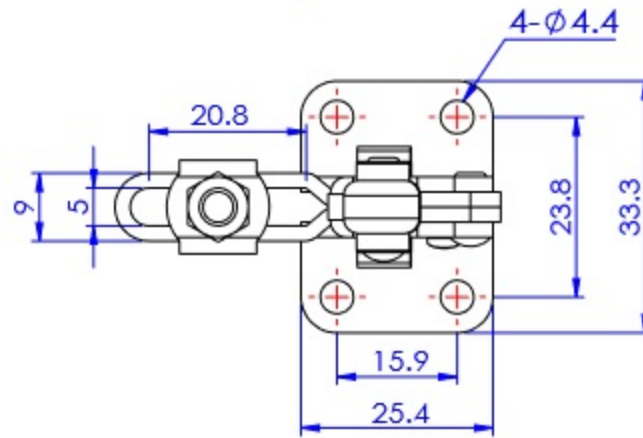


Part No:	GH-101-A
Holding Capacity:	50Kg
Bar Opens:	100°
Handle Opens:	56°
Weight:	0.064Kg
Spindle Supplied:	FC-053708-LP
Flanged Washers:	FW-100



Unit:mm  
Scale: 1:1

**Good Hand UK Ltd**

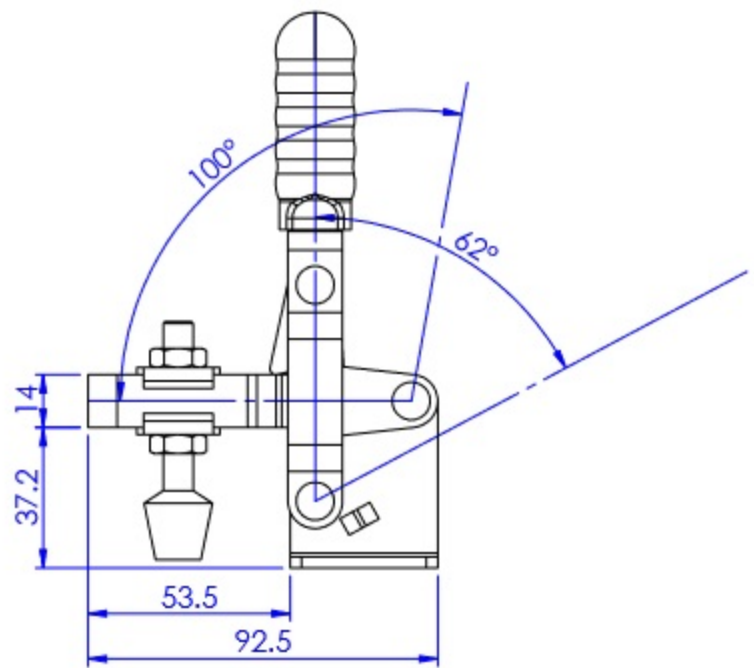
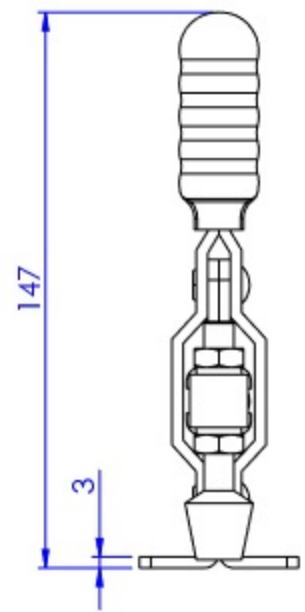
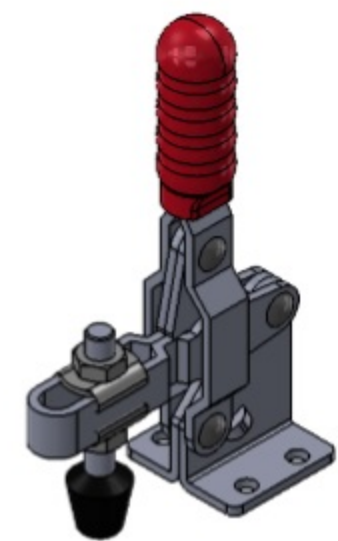
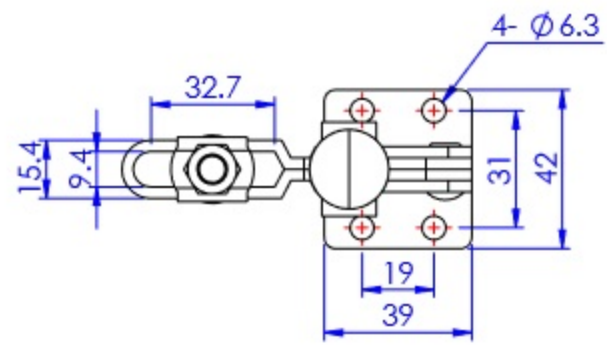
TITLE:

DWG NO.

GH-101-A

A4

Part No:	GH-101-D
Holding Capacity:	180Kg
Bar Opens:	100°
Handle Opens:	62°
Weight:	0.344Kg
Spindle Supplied:	FC-086312
Flanged Washers:	FW-516

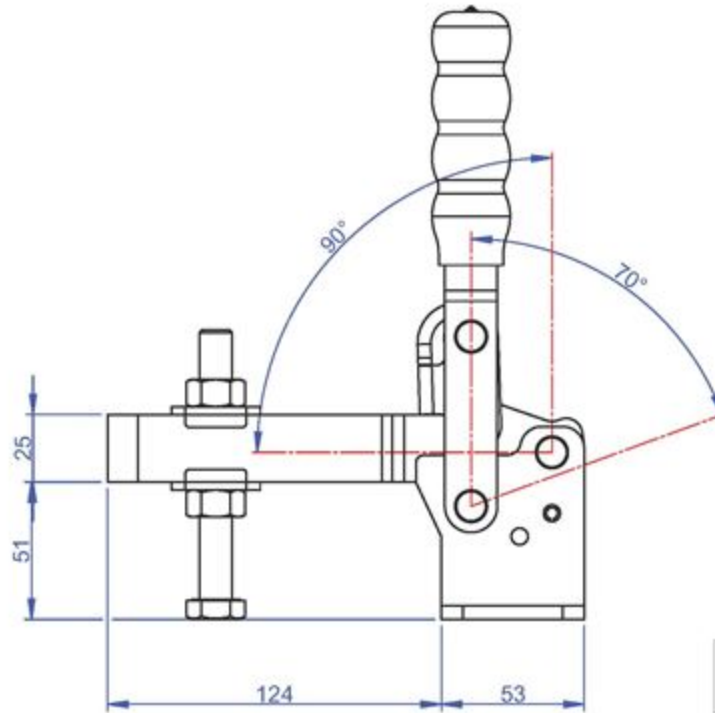
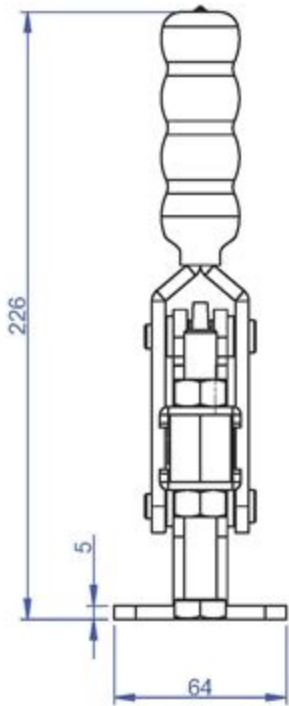
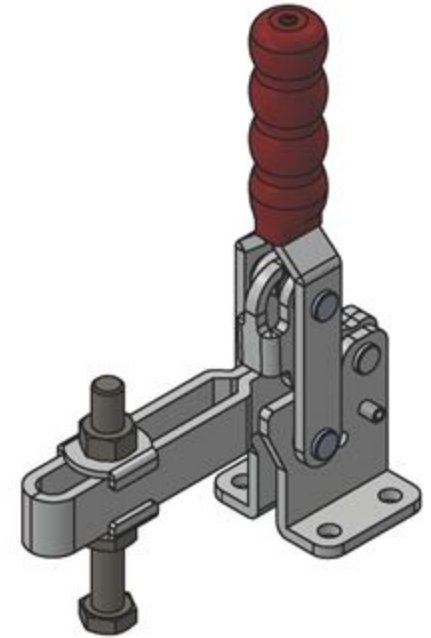
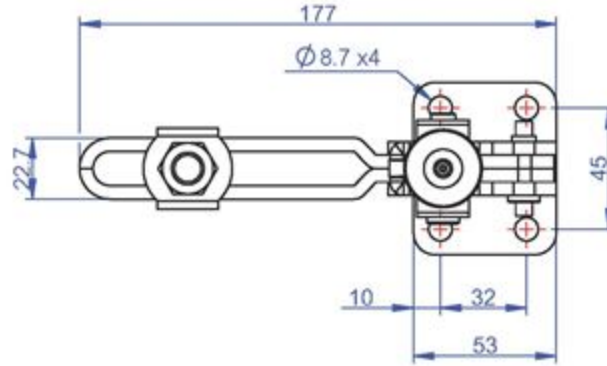


Unit:mm  
Scale: 1:2

**Good Hand UK Ltd**

TITLE:		
DWG NO.	GH-101-D	A4

Part No:	GH-14502-B
Holding Capacity:	450 Kg
Bar Opens:	90 /125°
Handle Opens:	70 /85°
Weight:	1.3 Kg
Spindle Supplied:	SA-121017
Flanged Washers:	FW-120



Drawing Scale: 1:2.5  
Unit: mm

**Good Hand UK Ltd**

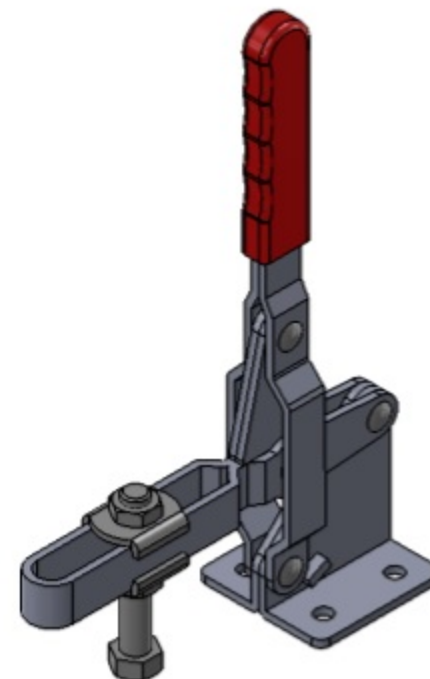
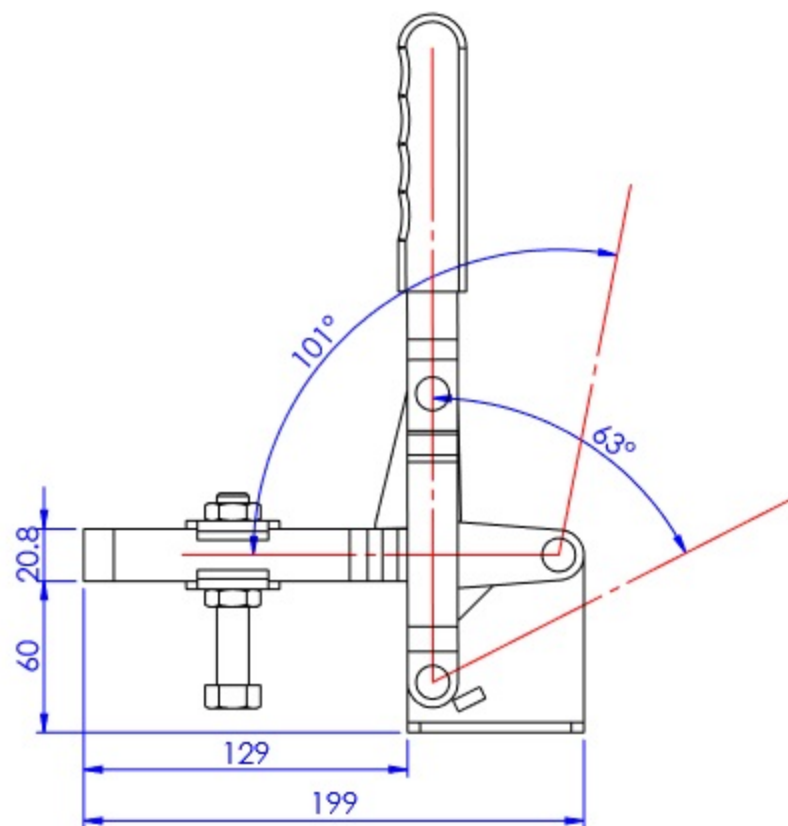
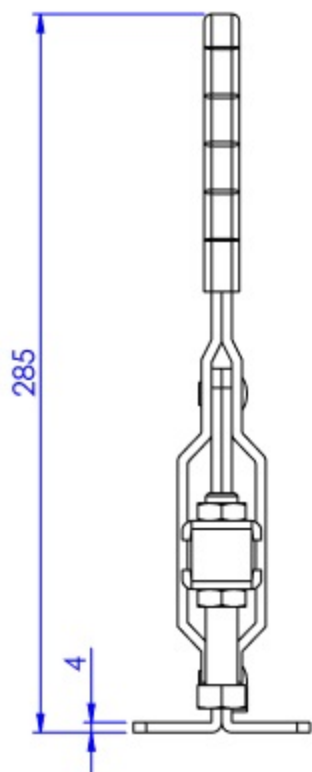
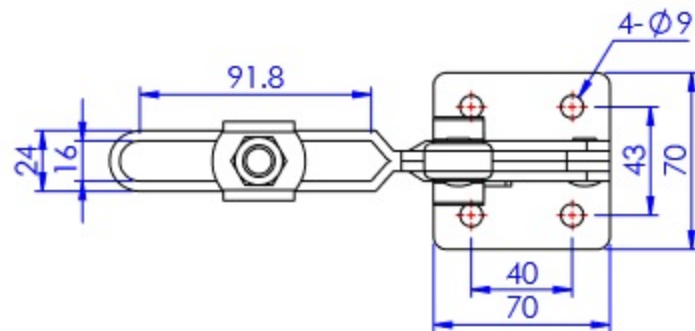
TITLE:

DWG NO.

GH-14502-B

A4

Part No:	GH-101-H
Holding Capacity:	450Kg
Bar Opens:	101°
Handle Opens:	63°
Weight:	1.253Kg
Spindle Supplied:	SA-121017
Flanged Washers:	FW-120



Unit:mm  
Scale: 1:3

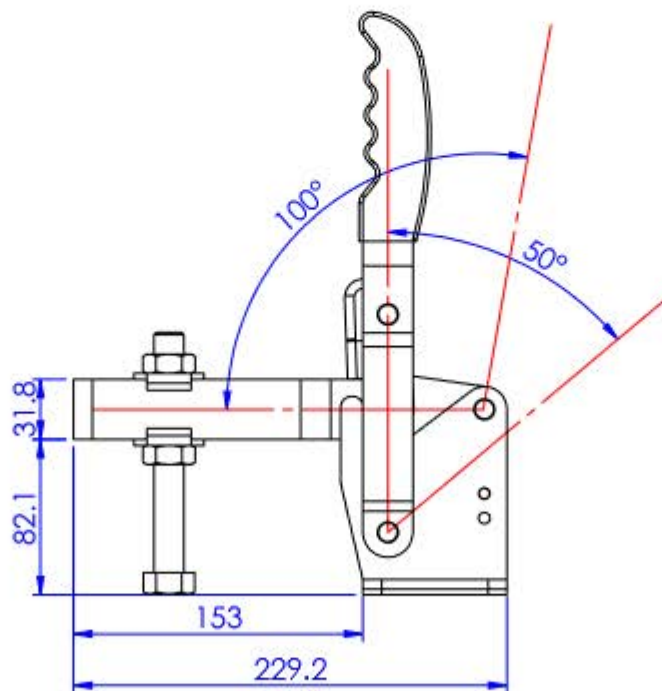
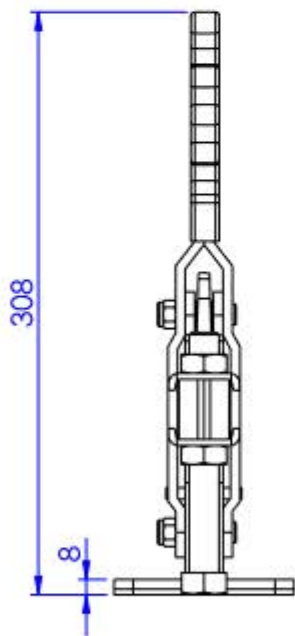
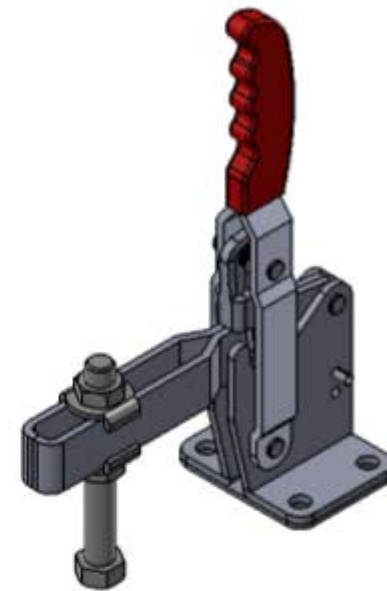
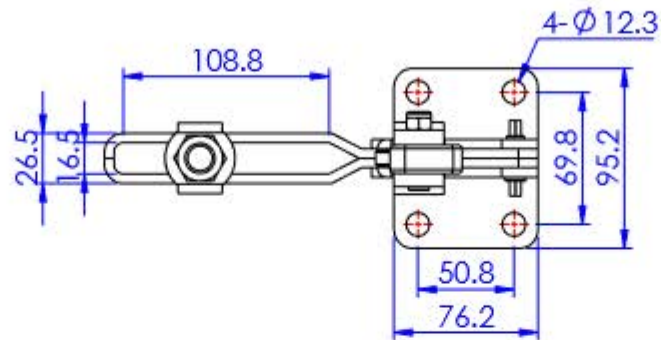
**Good Hand UK Ltd**

TITLE:

DWG NO. GH-101-H

A4

Part No:	GH-101-J
Holding Capacity:	550Kg
Bar Opens:	100° /140°
Handle Opens:	50° /60°
Weight:	2.542Kg
Spindle Supplied:	SA-161520
Flanged Washers:	FW-580



Unit:mm  
Scale: 1:4

**Good Hand UK Ltd**

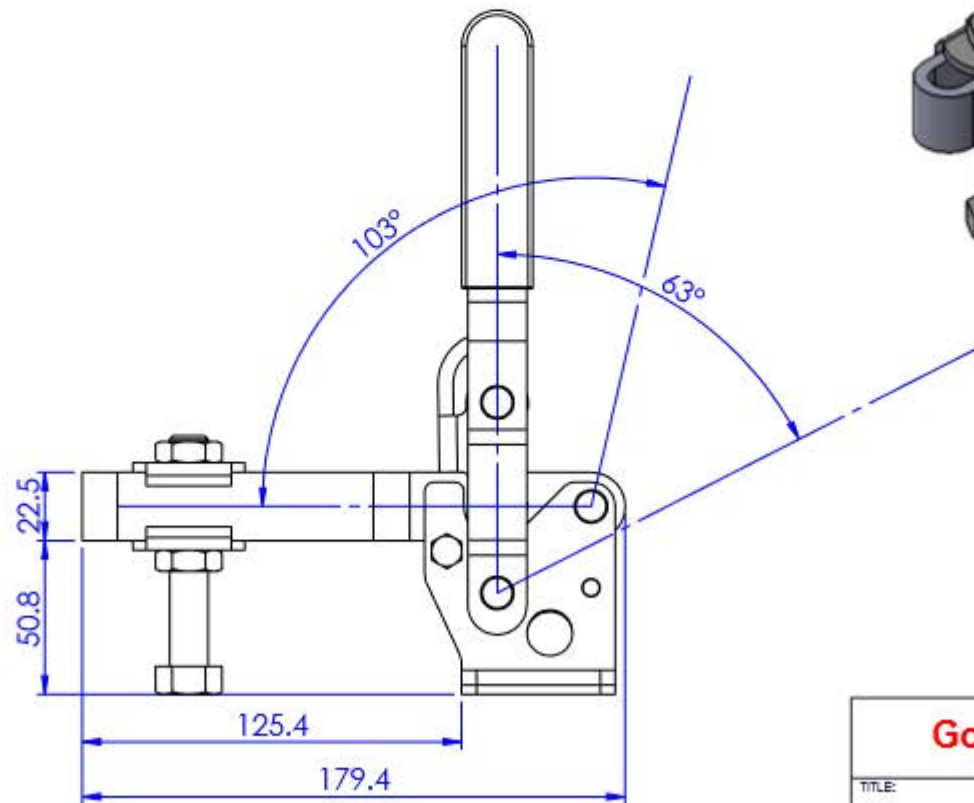
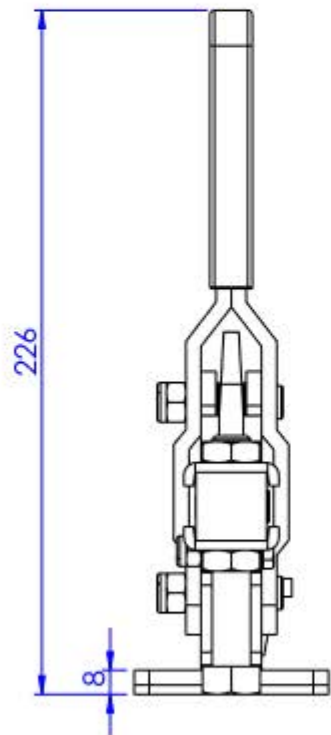
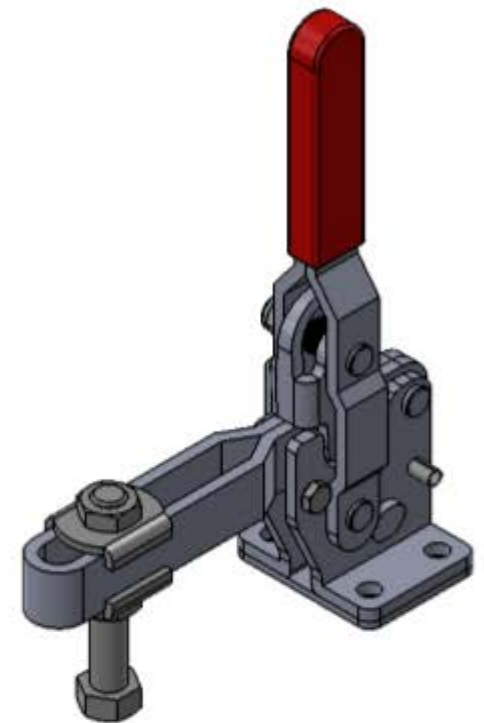
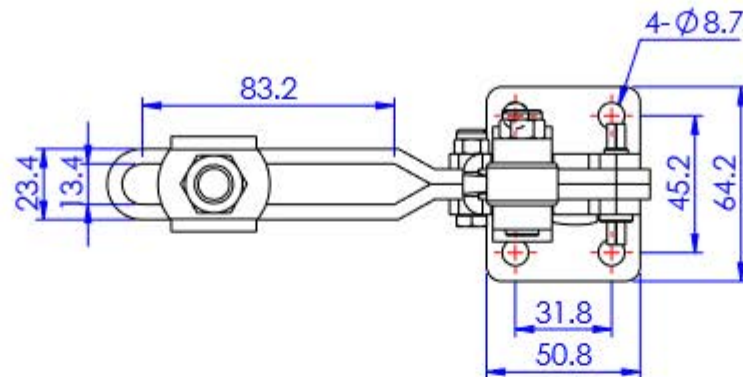
TITLE:

DWG NO. GH-101-J

A4



Part No:	GH-10247
Holding Capacity:	450Kg
Bar Opens:	103° / 135°
Handle Opens:	63° / 73°
Weight:	1.304Kg
Spindle Supplied:	SA-121017
Flanged Washers:	FW-120



Unit:mm  
Scale: 1:2.5

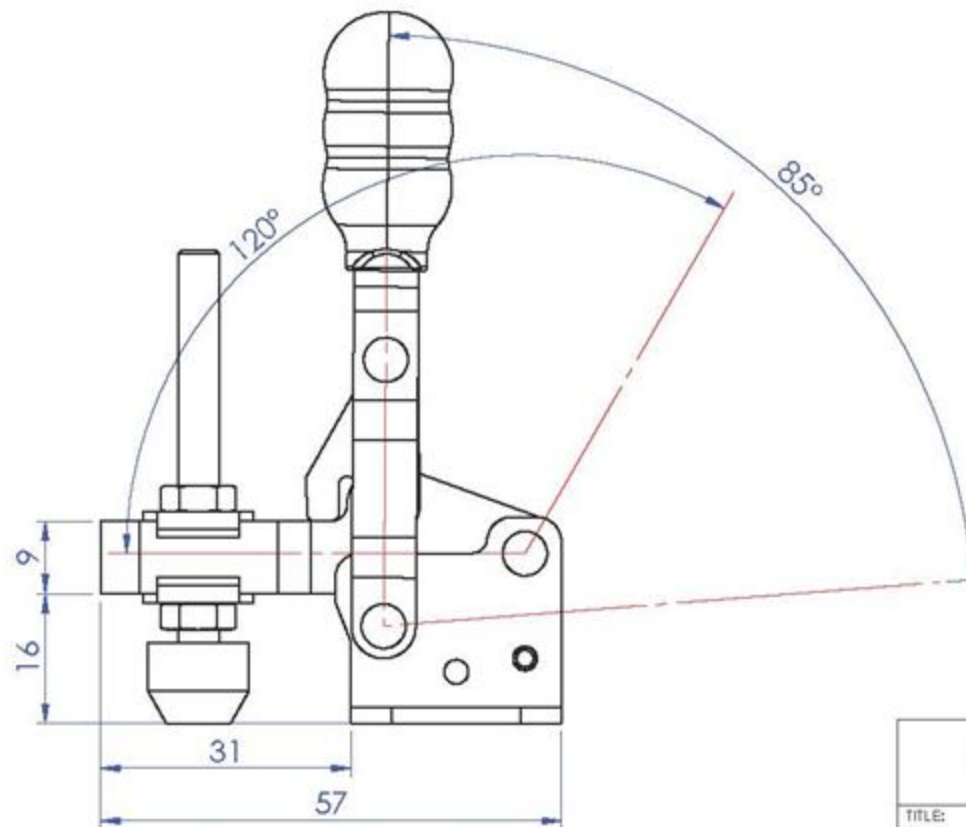
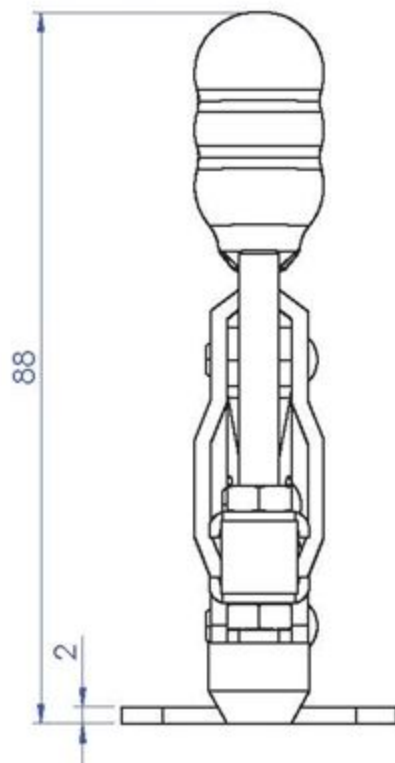
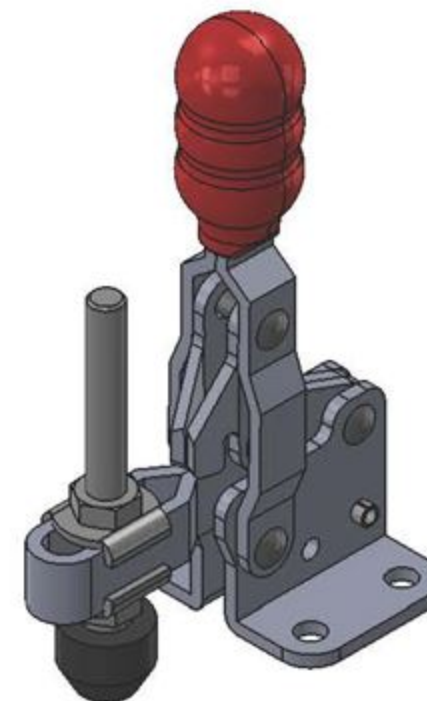
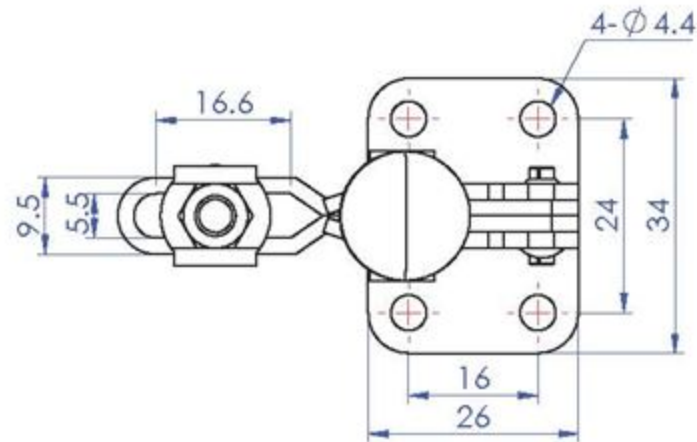
**Good Hand UK Ltd**

TITLE:

DWG NO. GH-10247

A4

Part No:	GH-10752-B
Holding Capacity:	75Kg
Bar Opens:	120°
Handle Opens:	85°
Weight:	0.091Kg
Spindle Supplied:	SA-054008 + NC-05
Flanged Washers:	FW-100



Unit:mm

Scale: 1:1

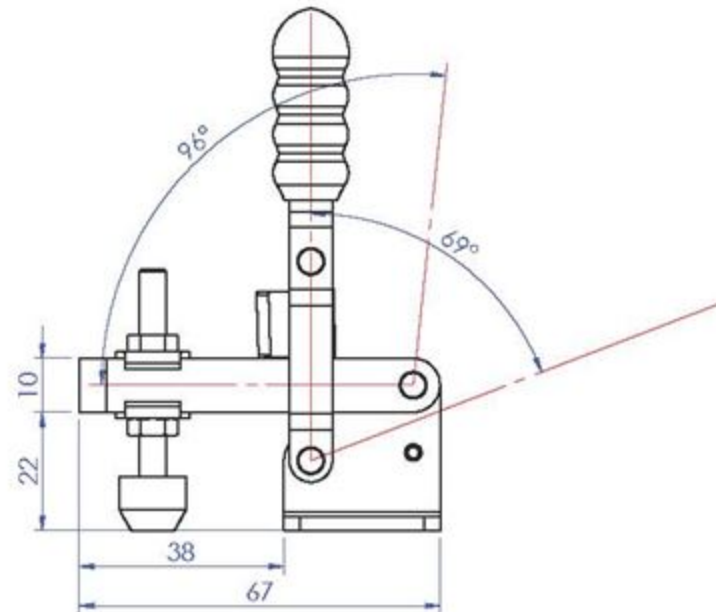
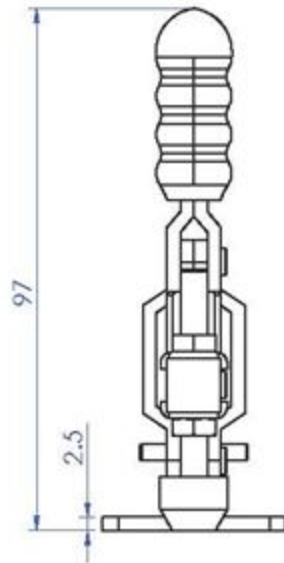
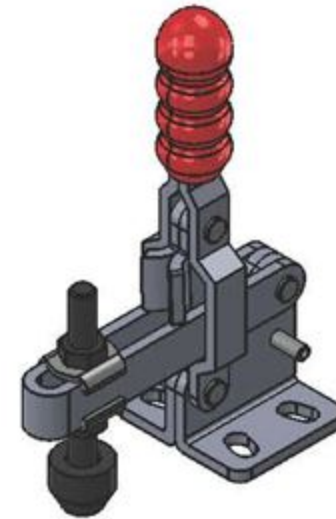
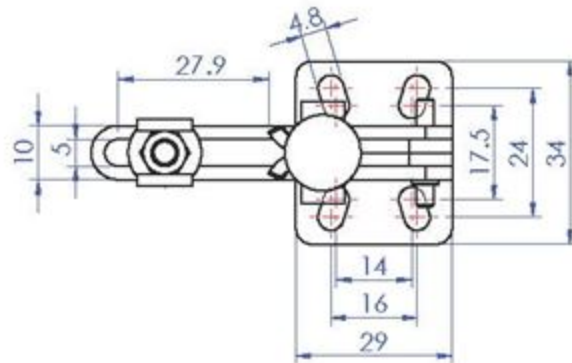
**Good Hand UK Ltd**

TITLE:

DWG NO. GH-10752-B

A4

Part No:	GH-11002-B
Holding Capacity:	75Kg
Bar Opens:	96°
Handle Opens:	69°
Weight:	0.124Kg
Spindle Supplied:	SA-054008+NC-05
Flanged Washers:	FW-102B



Unit:mm

Scale: 1:1.5

**Good Hand UK Ltd**

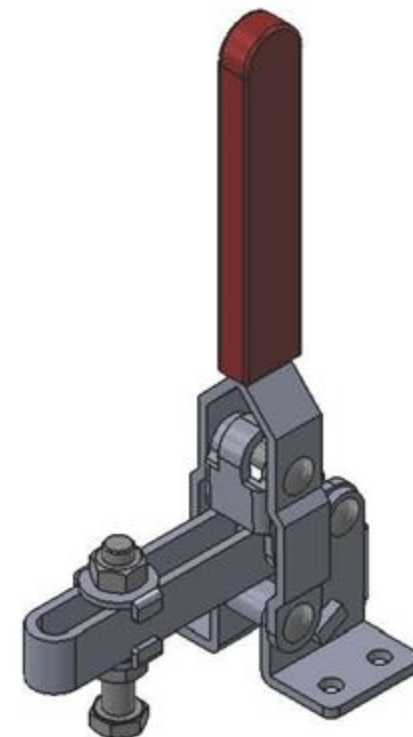
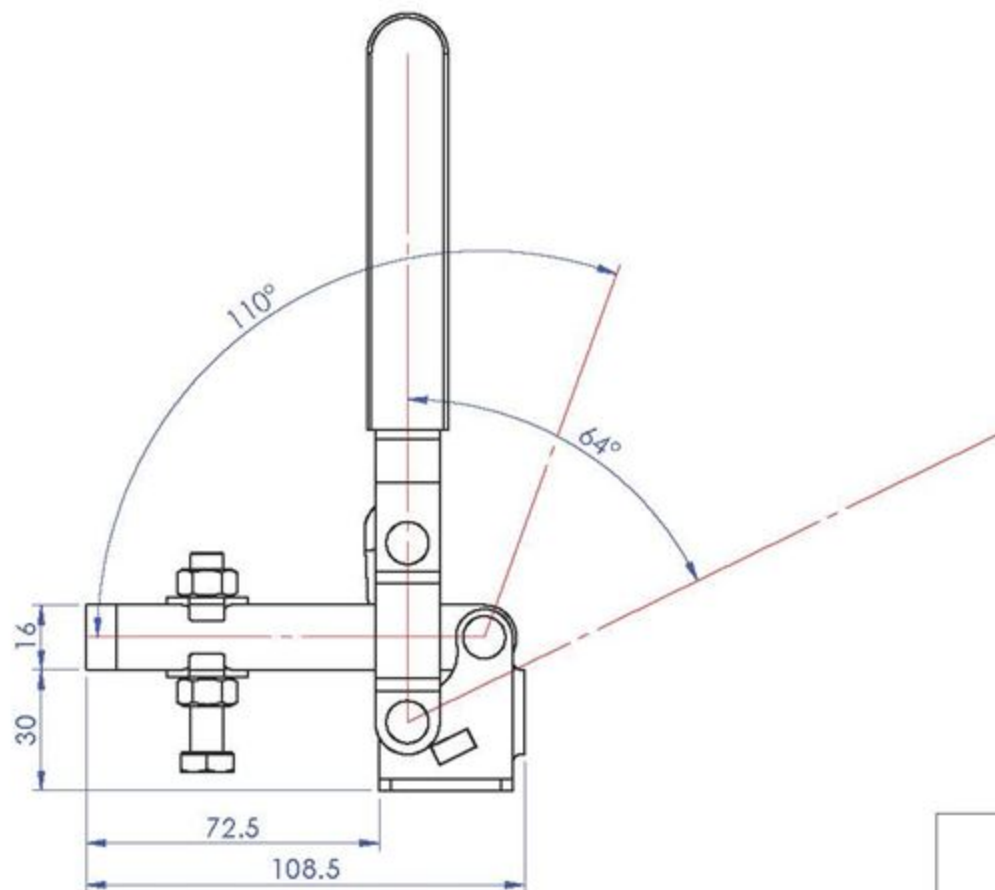
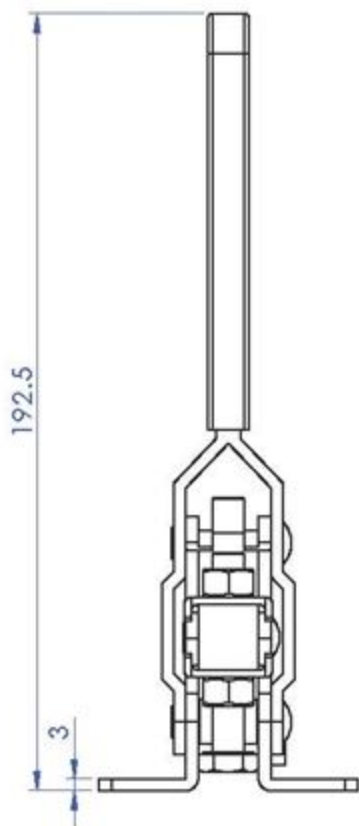
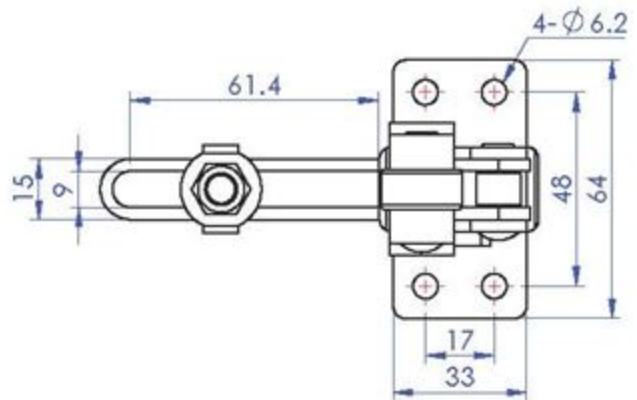
TITLE:

DWG NO. GH-11002-B

A4



Part No:	GH-11412
Holding Capacity:	200Kg
Bar Opens:	110°
Handle Opens:	64°
Weight:	0.42Kg
Spindle Supplied:	SA-085012
Flanged Washers:	FW-516



Unit:mm

Scale: 1:2

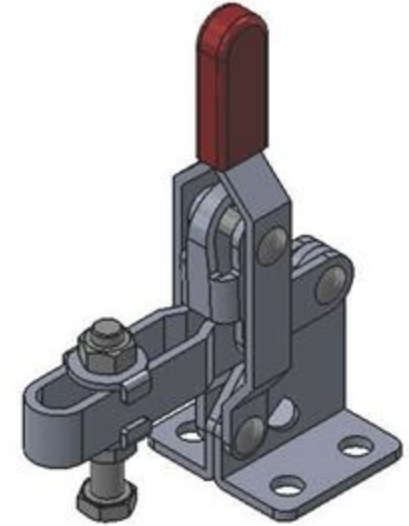
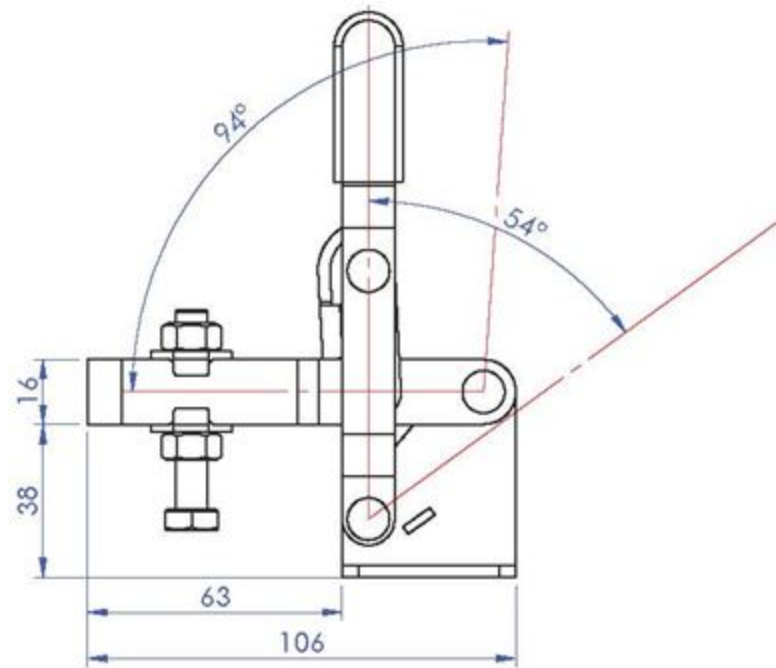
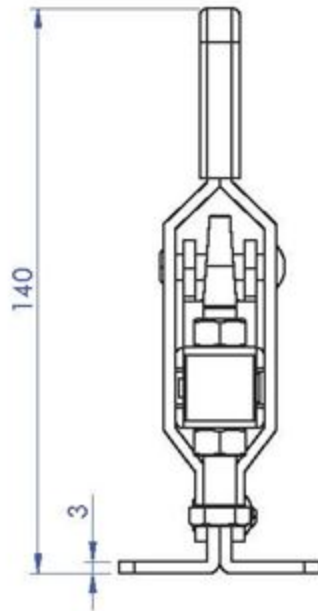
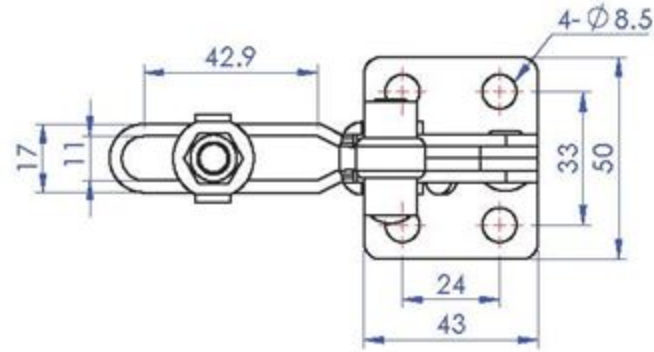
**Good Hand UK Ltd**

TITLE:

DWG NO. GH-11412

A4

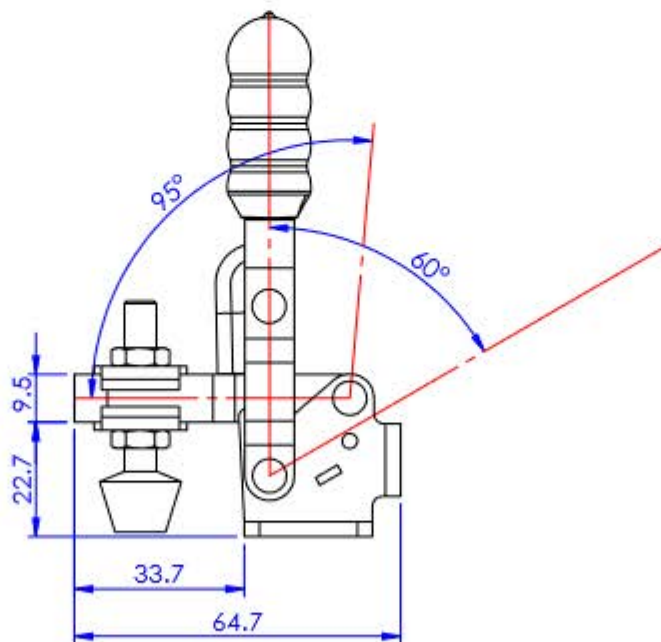
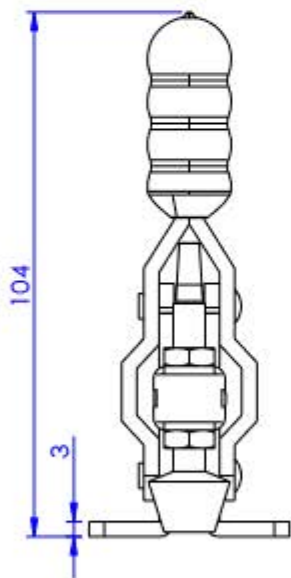
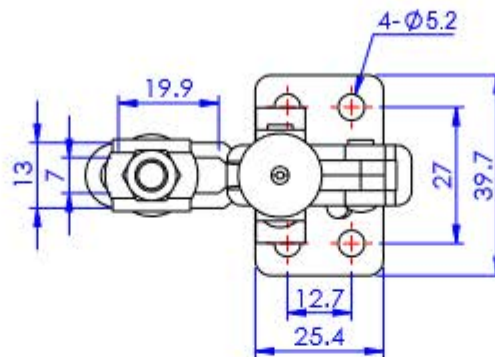
Part No:	GH-11421
Holding Capacity:	200Kg
Bar Opens:	94°
Handle Opens:	54°
Weight:	0.366Kg
Spindle Supplied:	SA-085012
Flanged Washers:	FW-380



Unit:mm  
Scale 1:2

<b>Good Hand UK Ltd</b>	
TITLE:	
DWG NO.	GH-11421
	A4

Part No:	GH-12050-U
Holding Capacity:	91Kg
Bar Opens:	95°
Handle Opens:	60°
Weight:	0.17Kg
Spindle Supplied:	FC-064410
Flanged Washers:	FW-142



Unit:mm

Scale: 1:1.5

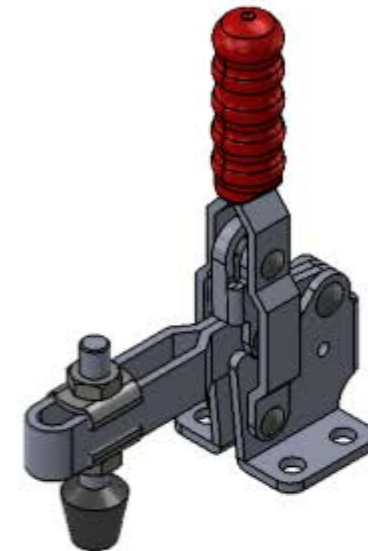
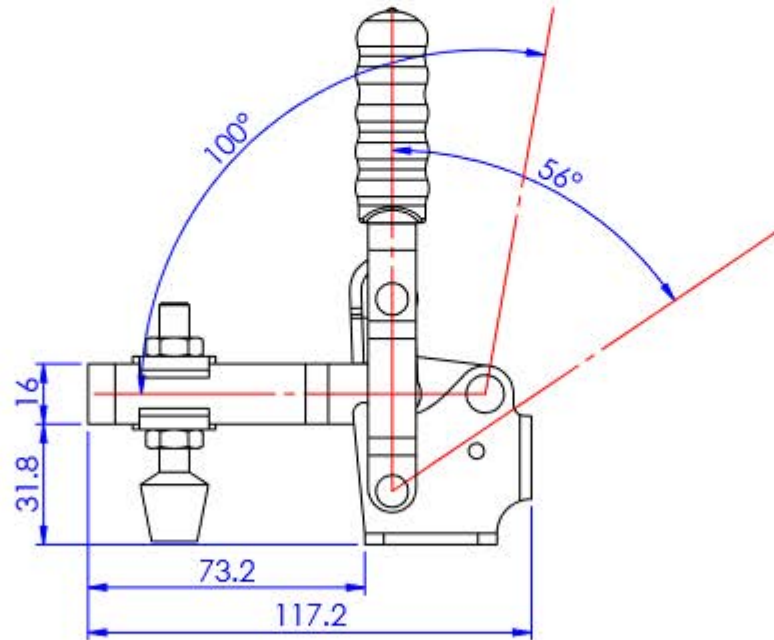
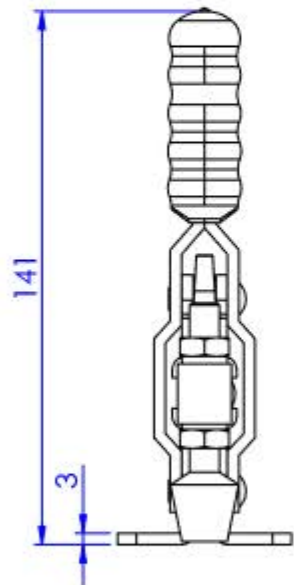
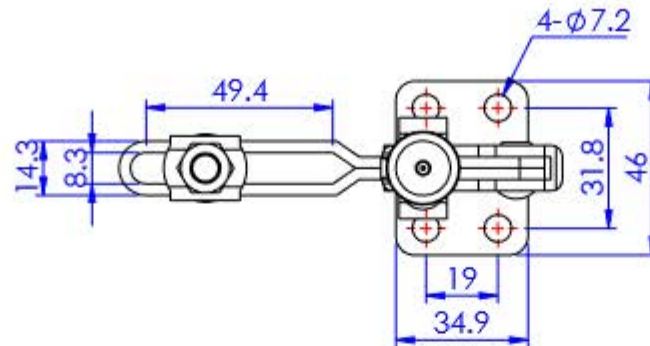
**Good Hand UK Ltd**

TITLE:

DWG NO. GH-12050-U

A4

Part No:	GH-12130
Holding Capacity:	227Kg
Bar Opens:	100°
Handle Opens:	56°
Weight:	0.355Kg
Spindle Supplied:	FC-086312
Flanged Washers:	FW-516



Unit:mm

Scale: 1:2

**Good Hand UK Ltd**

TITLE:

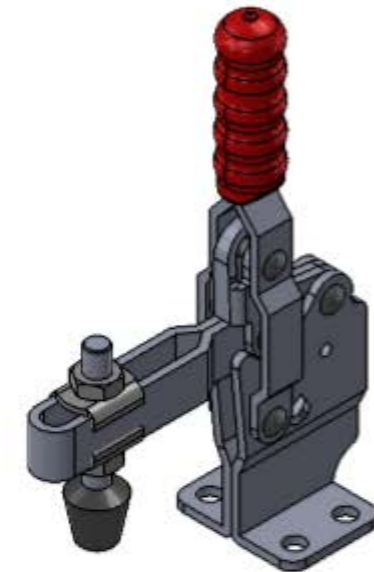
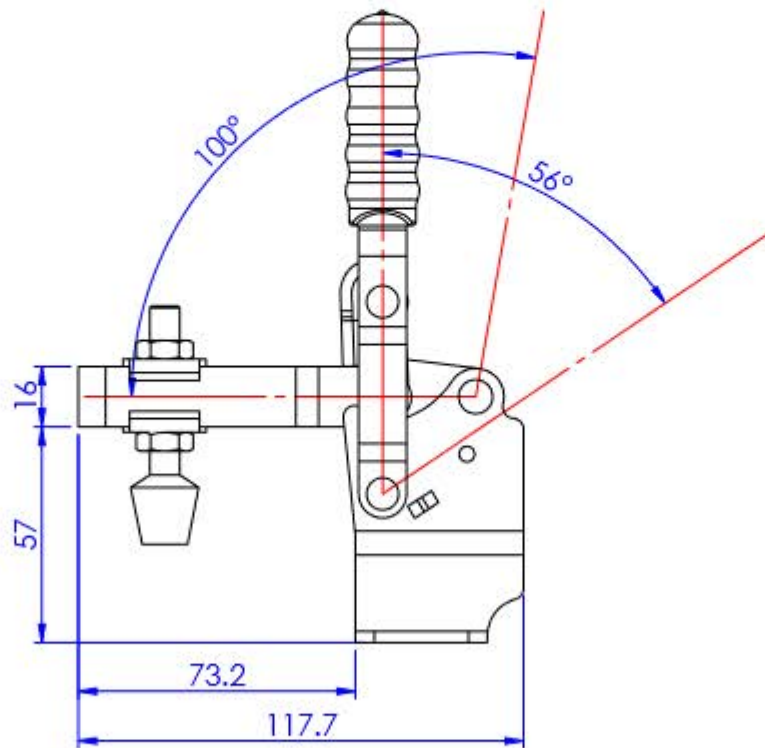
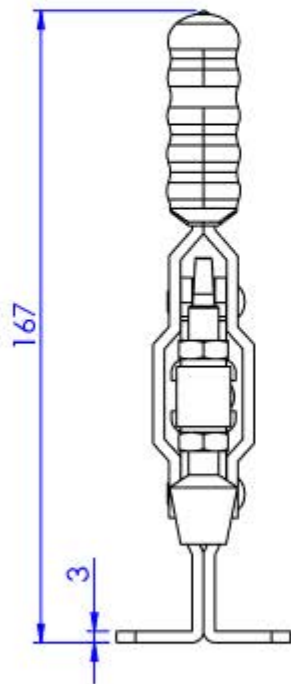
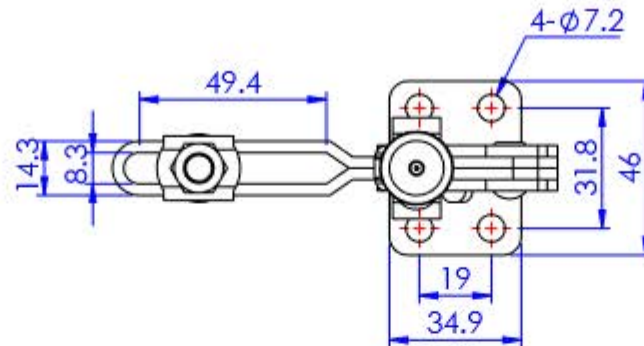
DWG NO.

GH-12130

A4



Part No:	GH-12130-HB
Holding Capacity:	227Kg
Bar Opens:	100°
Handle Opens:	56°
Weight:	0.401Kg
Spindle Supplied:	FC-086312
Flanged Washers:	FW-516



Unit:mm

Scale: 1:2

**Good Hand UK Ltd**

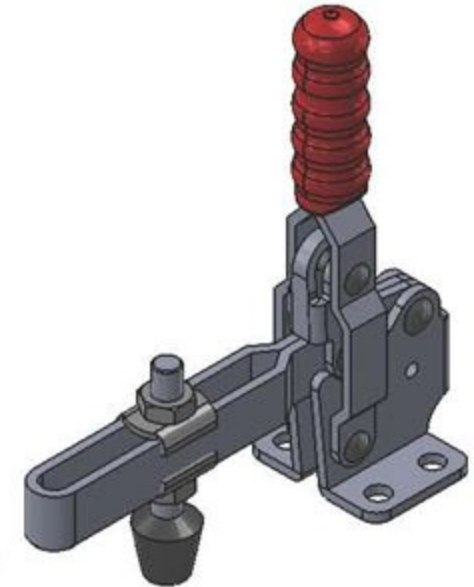
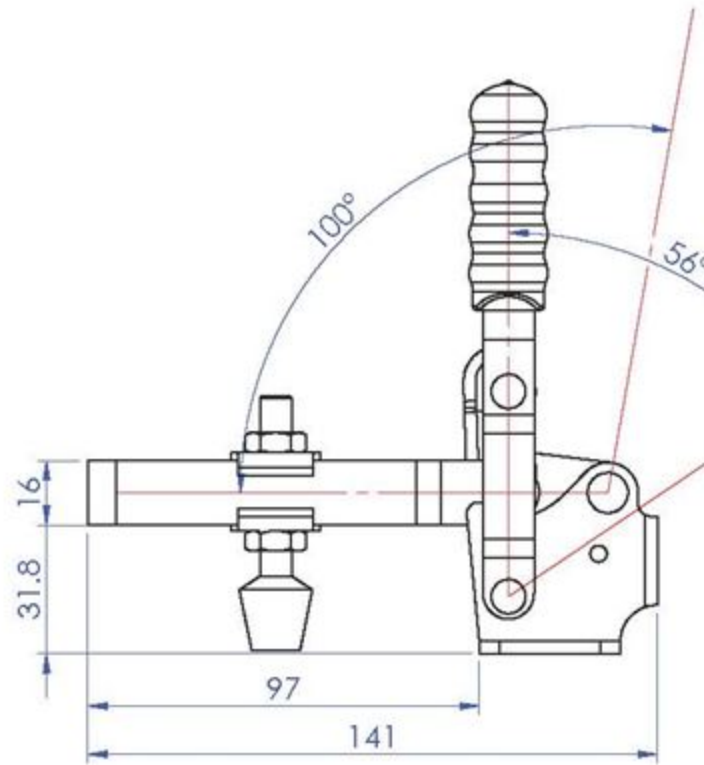
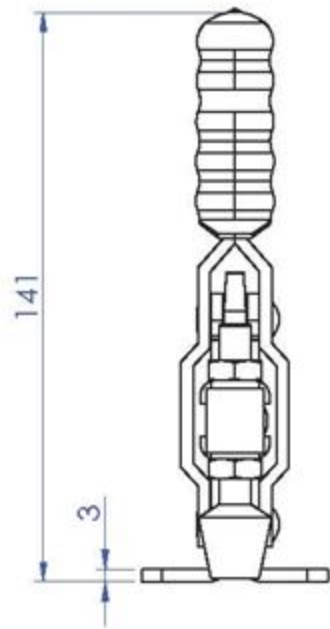
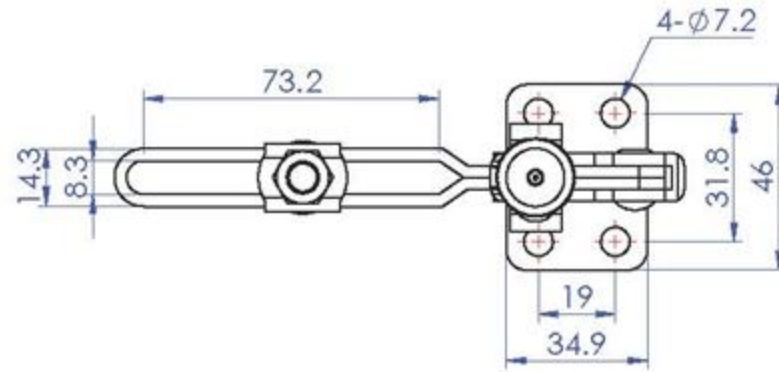
TITLE:

DWG NO.

GH-12130-HB

A4

Part No:	GH-12132
Holding Capacity:	227Kg
Bar Opens:	100°
Handle Opens:	56°
Weight:	0.37Kg
Spindle Supplied:	FC-56212
Flanged Washers:	FW-516

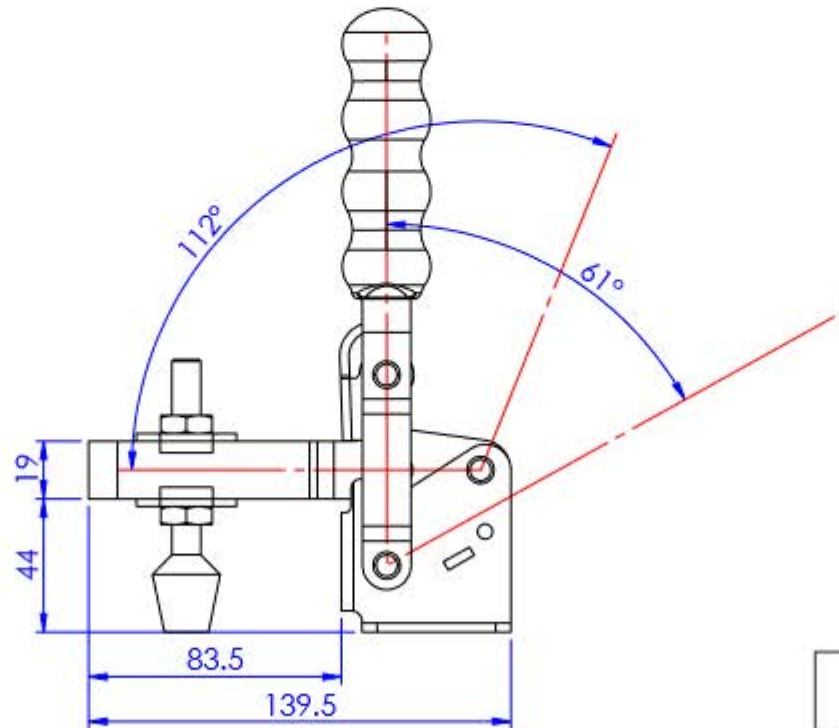
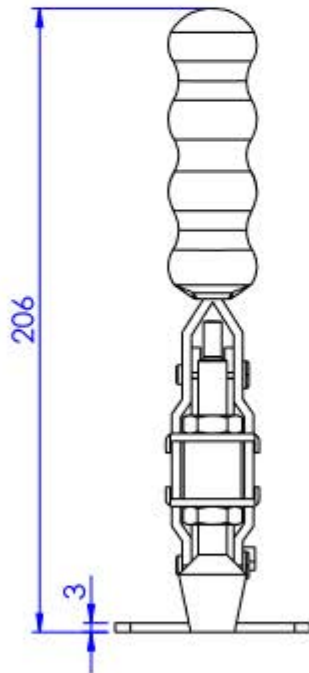
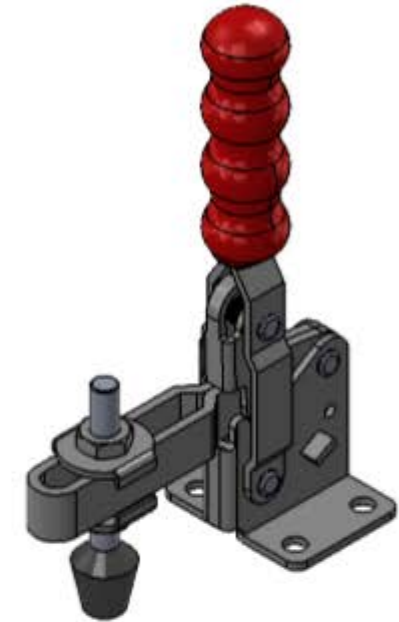
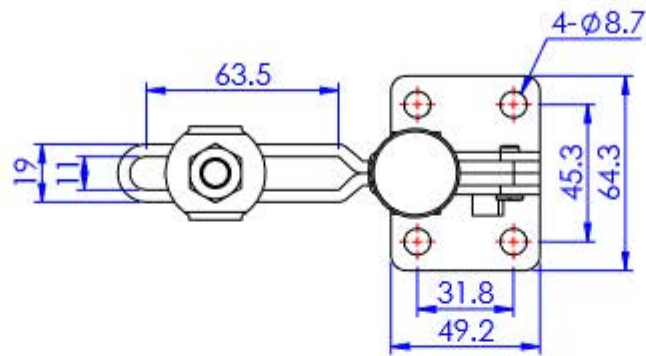


Unit:mm

Scale: 1:2

<b>Good Hand UK Ltd</b>	
TITLE:	
DWG NO. GH-12132	A4

Part No:	GH-12265
Holding Capacity:	340Kg
Bar Opens:	112°
Handle Opens:	61°
Weight:	0.635Kg
Spindle Supplied:	FC-108515
Flanged Washers:	FW-380



Unit:mm  
Scale: 1:2.5

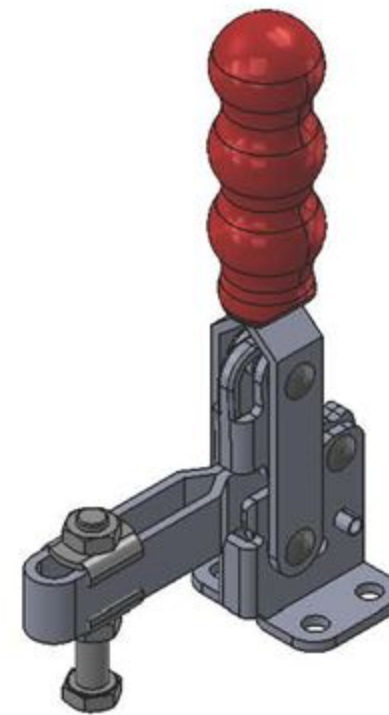
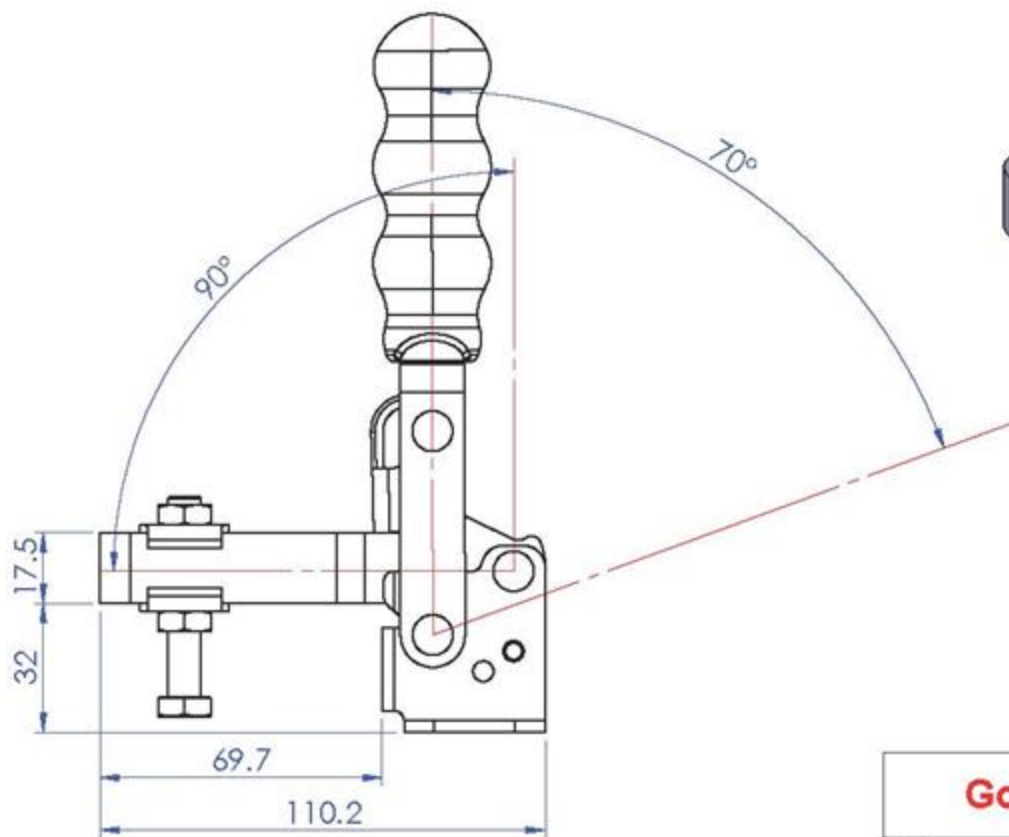
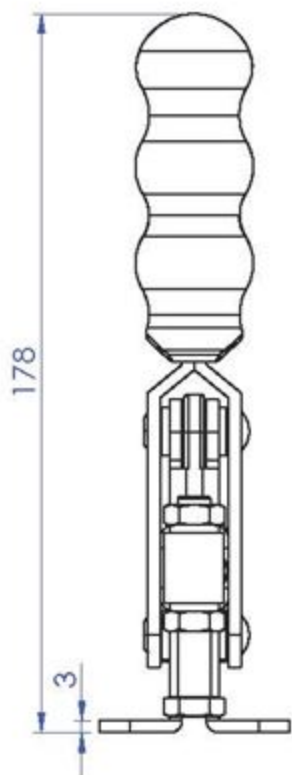
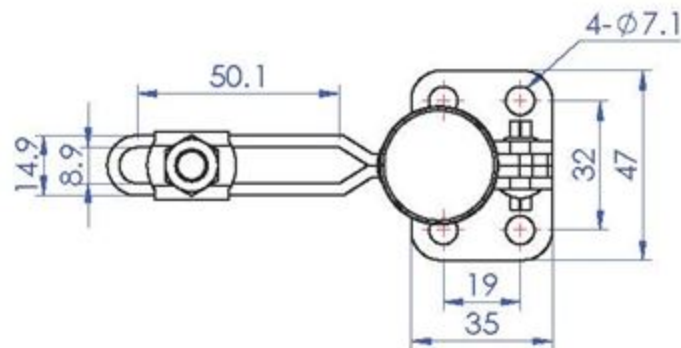
**Good Hand UK Ltd**

TITLE:

DWG NO. GH-12265

A4

Part No:	GH-12502-B
Holding Capacity:	250Kg
Bar Opens:	90° / 150°
Handle Opens:	70° / 100°
Weight:	0.435Kg
Spindle Supplied:	SA-086512
Flanged Washers:	FW-516



Unit:mm

Scale: 1:2

**Good Hand UK Ltd**

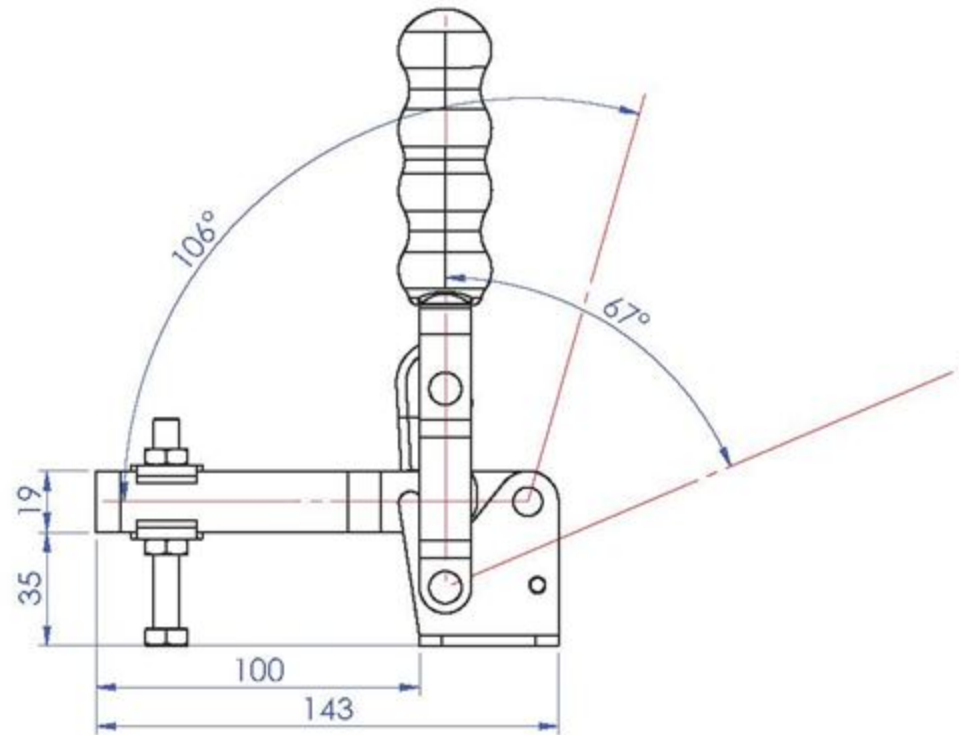
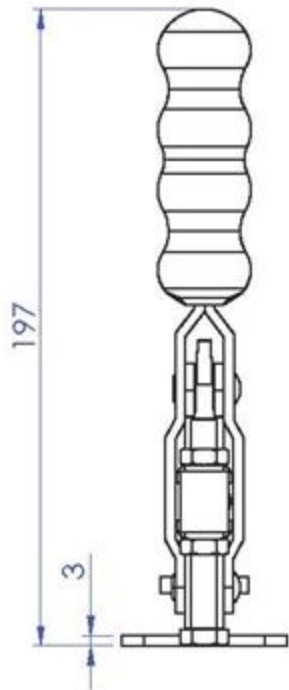
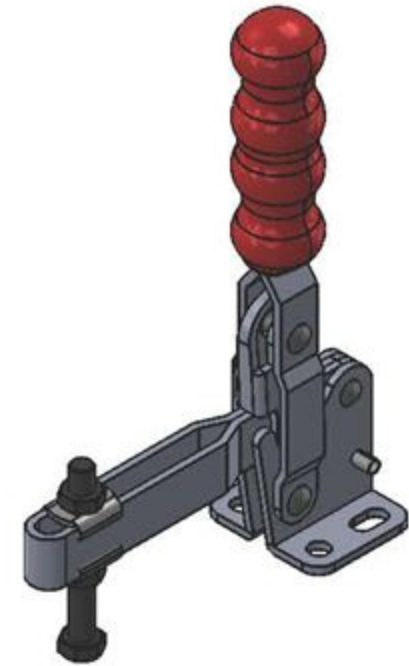
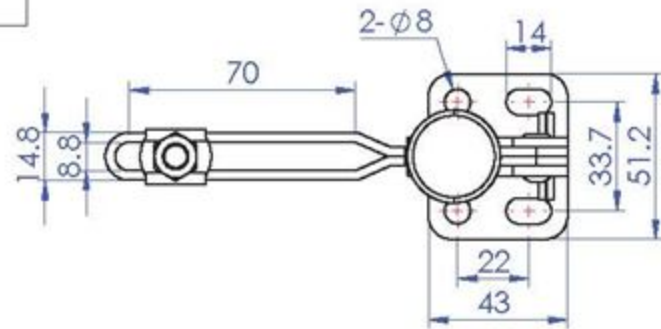
TITLE:

DWG NO. GH-12502-B

A4



Part No:	GH-13002-B
Holding Capacity:	250Kg
Bar Opens:	106°
Handle Opens:	67°
Weight:	0.525Kg
Spindle Supplied:	SA-086512
Flanged Washers:	FW-516

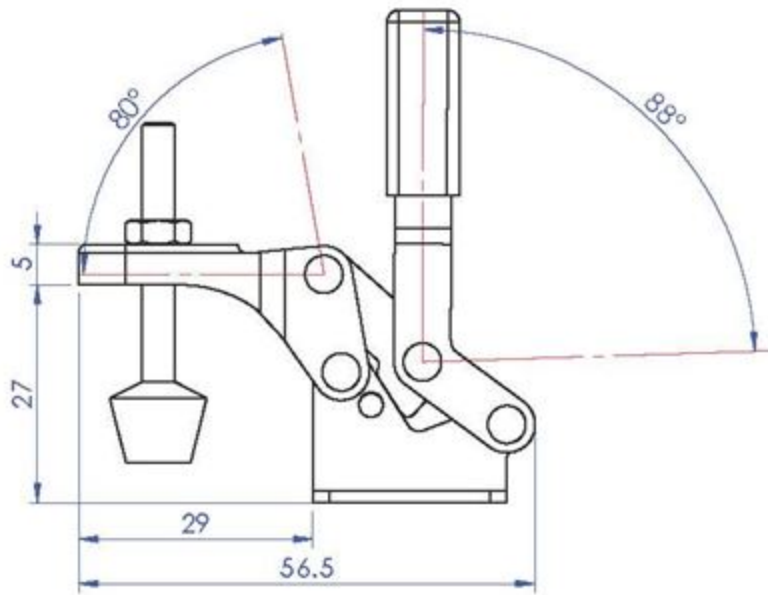
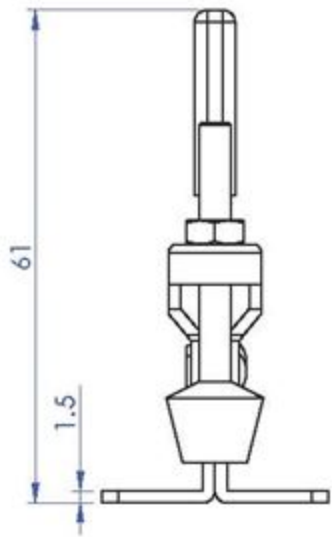
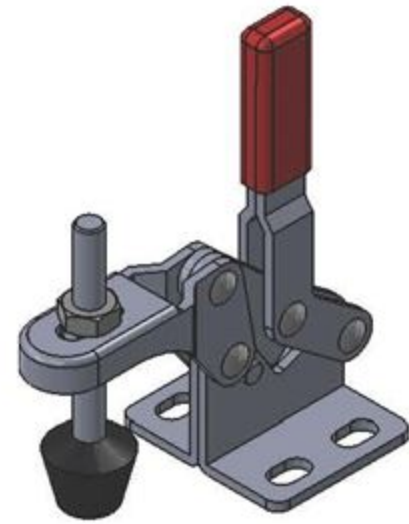
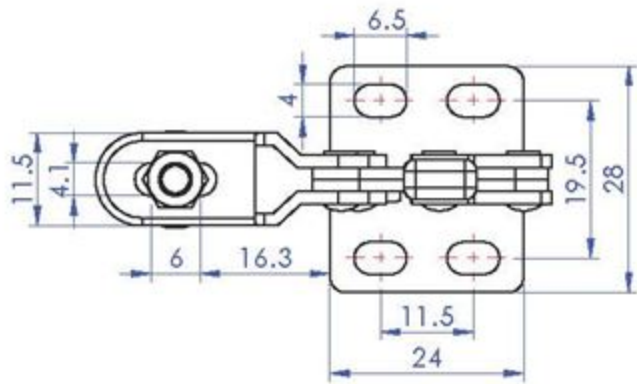


Unit:mm  
Scale: 1:2.5

**Good Hand UK Ltd**

TITLE:	
DWG NO.	GH-13002-B
	A4

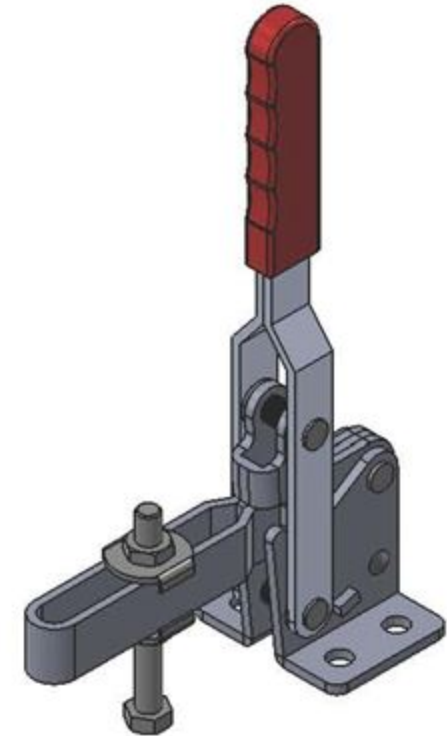
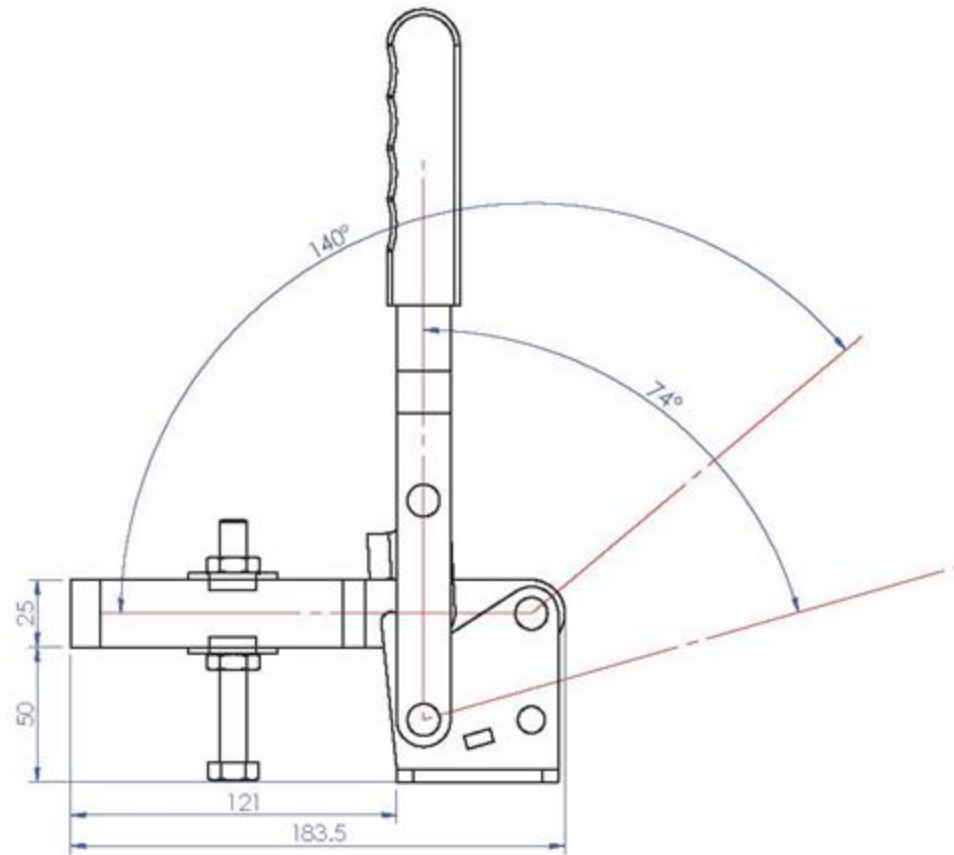
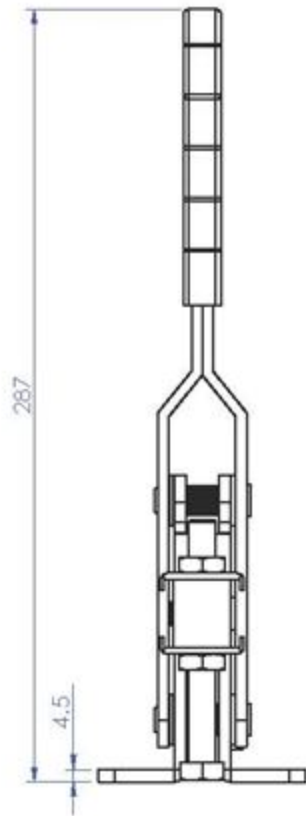
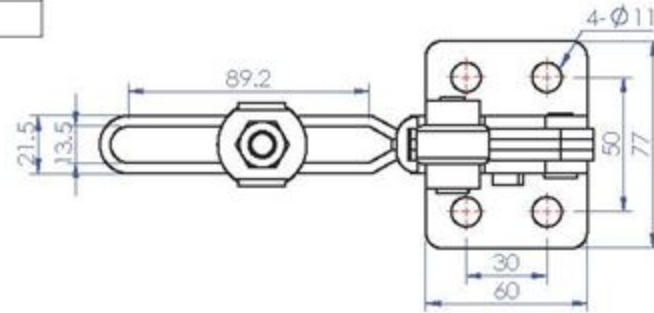
Part No:	GH-13009
Holding Capacity:	30Kg
Bar Opens:	80°
Handle Opens:	88°
Weight:	0.047Kg
Spindle Supplied:	FC-044207



Unit:mm  
Scale: 1:1

<b>Good Hand UK Ltd</b>	
TITLE:	
DWG NO. GH-13009	A4

Part No:	GH-14412
Holding Capacity:	300Kg
Bar Opens:	140°
Handle Opens:	74°
Weight:	1.27Kg
Spindle Supplied:	SA-109015
Flanged Washers:	FW-121



Unit:mm

Scale: 1:3

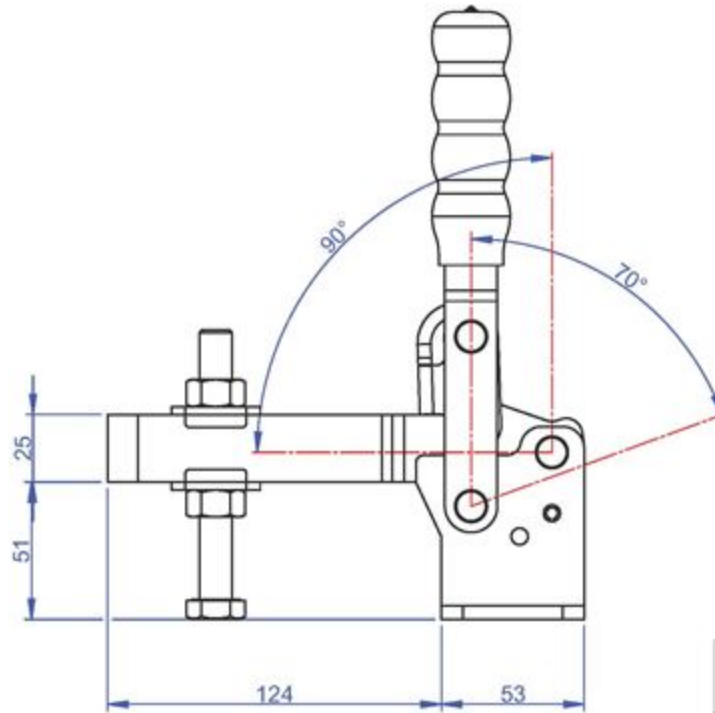
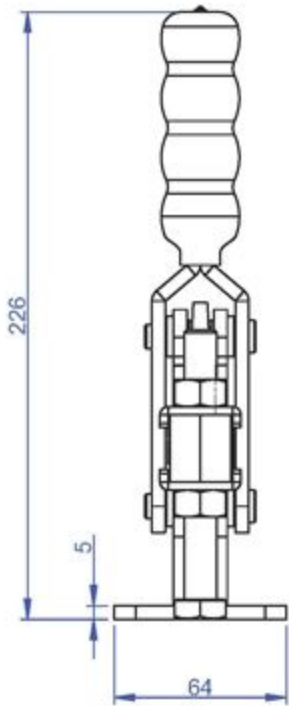
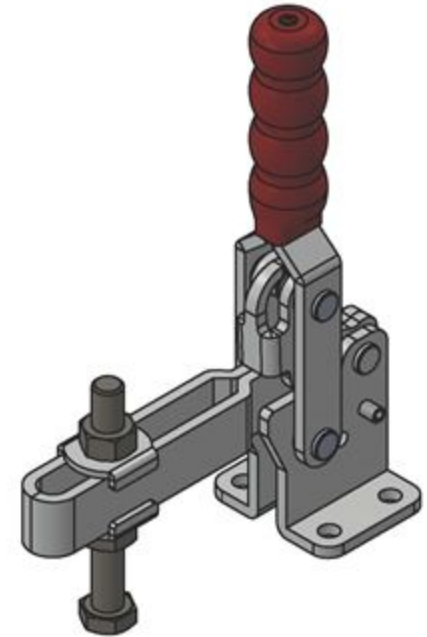
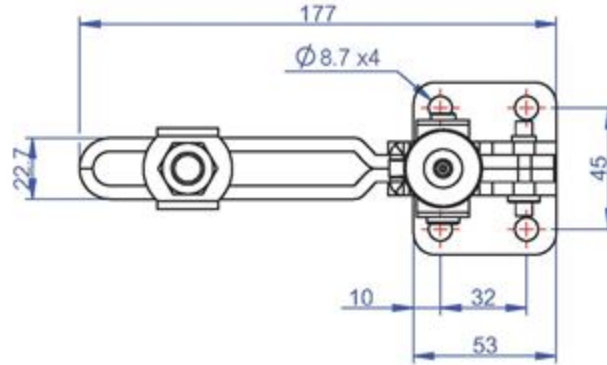
**Good Hand UK Ltd**

TITLE:

DWG NO. GH-14412

A4

Part No:	GH-14502-B
Holding Capacity:	450 Kg
Bar Opens:	90 /125°
Handle Opens:	70 /85°
Weight:	1.3 Kg
Spindle Supplied:	SA-121017
Flanged Washers:	FW-120



Drawing Scale: 1:2.5  
Unit: mm

**Good Hand UK Ltd**

TITLE:

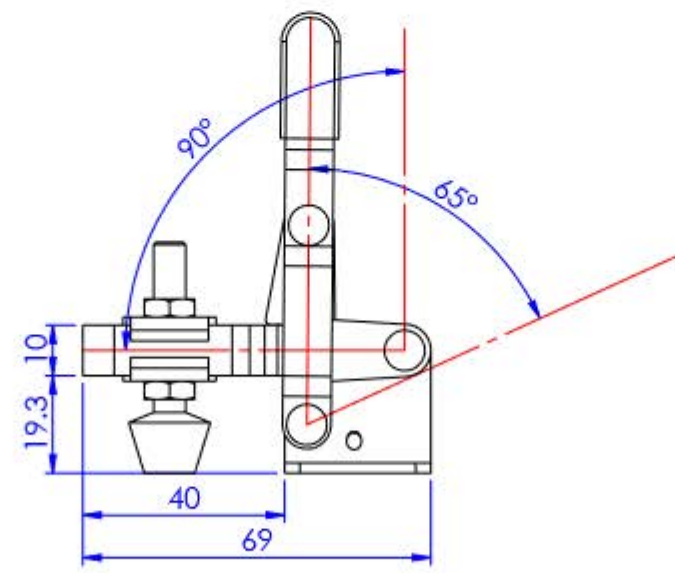
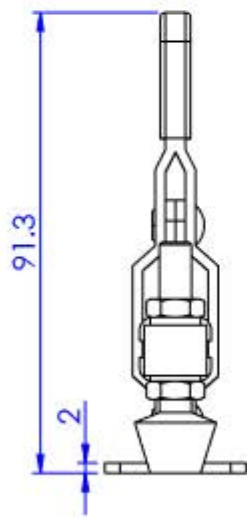
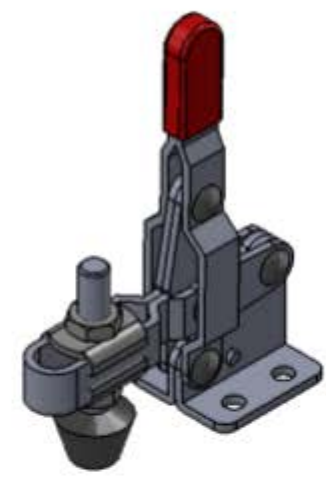
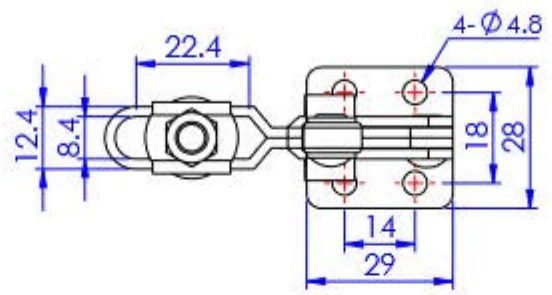
DWG NO.

GH-14502-B

A4



Part No:	GH-102-B
Holding Capacity:	100Kg
Bar Opens:	90°
Handle Opens:	65°
Weight:	0.11Kg
Spindle Supplied:	FC-064410
Flanged Washers:	FW-142

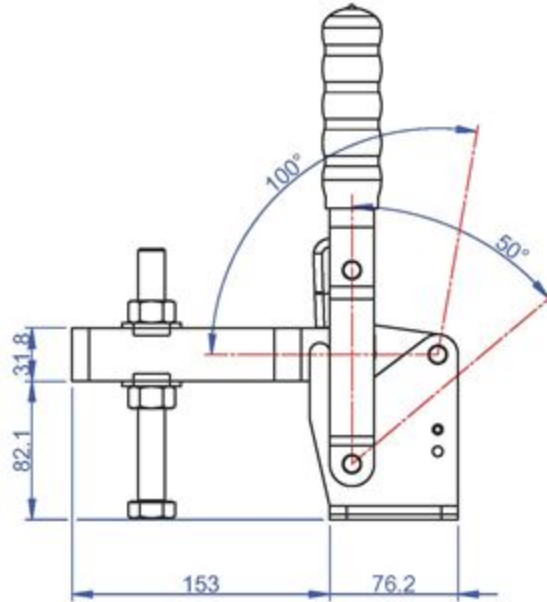
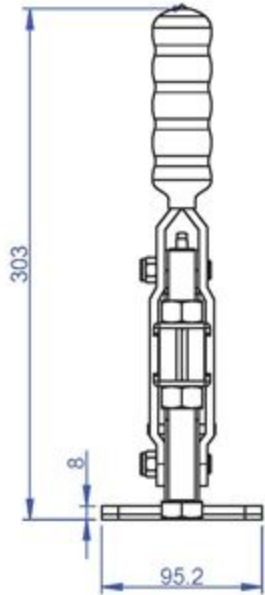
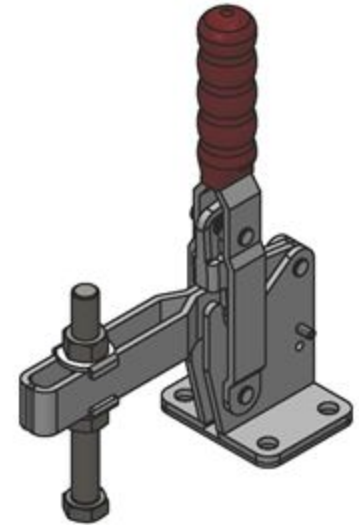
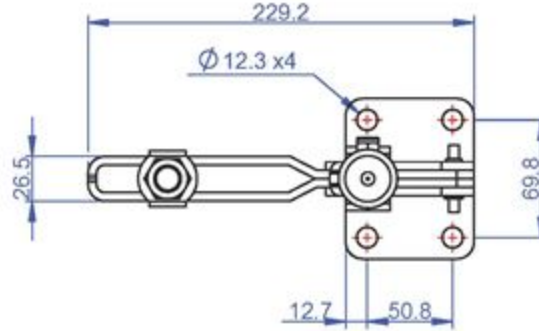


Unit:mm  
Scale: 1:1.5

**Good Hand UK Ltd**

TITLE:	
DWG NO.	GH-102-B
	A4

Part No:	GH-15502-B
Holding Capacity:	550 Kg
Bar Opens:	100° /140°
Handle Opens:	50° /60°
Weight:	2.5 Kg
Spindle Supplied:	SA-161520
Flanged Washers:	FW-120



Drawing Scale: 1:4  
Unit: mm

**Good Hand UK Ltd**

TITLE:

DWG NO.

GH-15502-B

A4