

Spring Plungers

with hexagon socket and ceramic ball, stainless steel



Material:

Body 1.4305.
Ceramic ball Si_3N_4 .
Spring 1.4310.

Type:

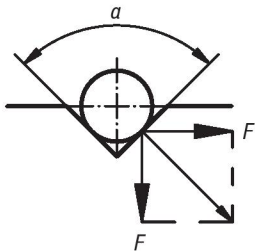
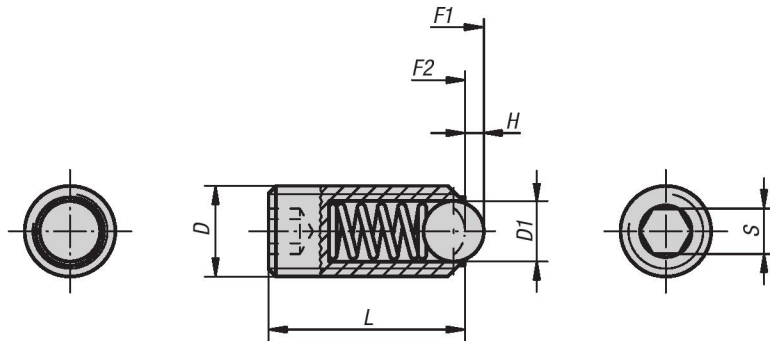
Natural finish.

Part Number Example:

K0610.05

Note:

The combination of excellent material properties is a special feature of silicon nitride (Si_3N_4). These include, for example, high strength and stability, excellent wear and chemical resistance.

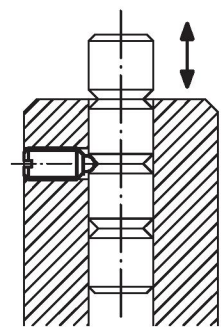


$$a = 60^\circ, F' = 1,732 \times F$$

$$a = 90^\circ, F' = F$$

$$a = 120^\circ, F' = 0,577 \times F$$

Application Diagram



KIPP Spring Plungers with hexagon socket and ceramic ball, stainless steel, metric

Item No.	D	D1	L	H	S	Spring force initial pressure F1 approx. N	Spring force final pressure F2 approx. N
K0610.05	M5	3	14	0,9	2,5	6	11
K0610.06	M6	3,5	15	1	3	9	13
K0610.08	M8	5	18	1,5	4	15	30
K0610.10	M10	6	23	2	5	20	35
K0610.12	M12	8	26	2,5	6	30	55
K0610.16	M16	10	33	3,5	8	65	125