

## UNI lock 5-axis basic module adjustable system size 50 mm

### Item description/product images



### Description

**Material:**

Steel.

**Version:**

Main body oxidised.

Contact faces case-hardened and ground.

**Note:**

The UNI lock 5-axis basic module, system size 50 can be adapted to mount on machine tables with grid holes or T-slots, or on grid hole subplates. The system size 50 basic module can also be combined with the system size 80 modules, allowing smaller workpieces to be easily clamped with the module clamping system.

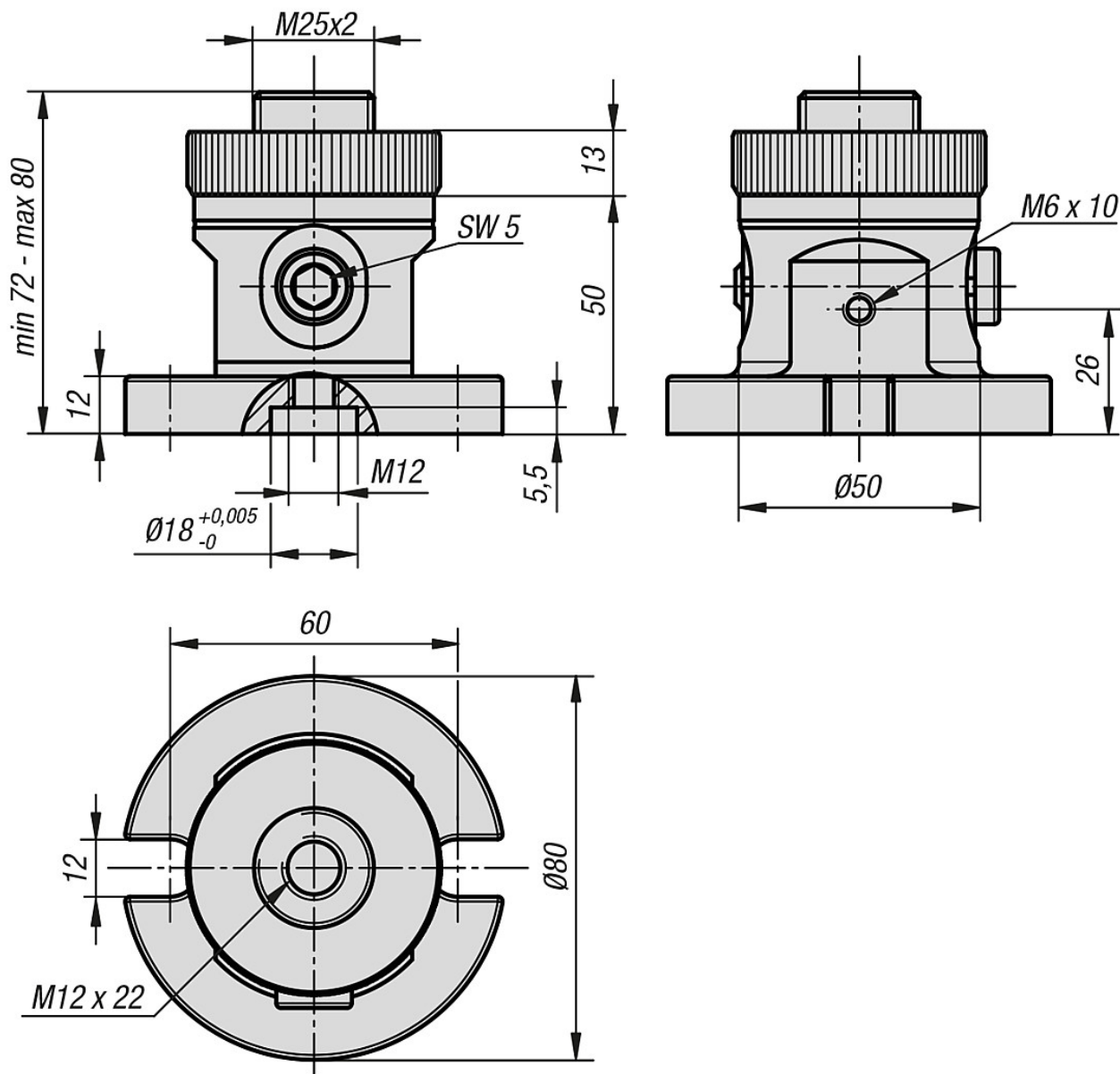
Matches UNI lock zero point clamping system with UNI lock D=18 mm clamping pins.

Can also be mounted directly onto commonly available zero point clamping systems if a suitable clamping pin is used..

Height adjustment with brass ring. Locking with a lateral lock screw. Workpieces with varying support face heights can be optimally supported and clamped.

**UNI lock 5-axis basic module adjustable system size 50 mm**

**Drawings**



**Overview of items**

**UNI lock 5-axis basic module adjustable, system size 50 mm**

Order No.	Type
K1117.12072600	adjustable