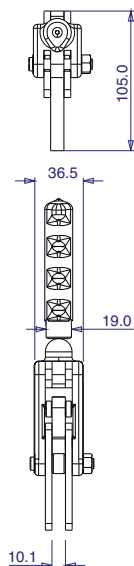
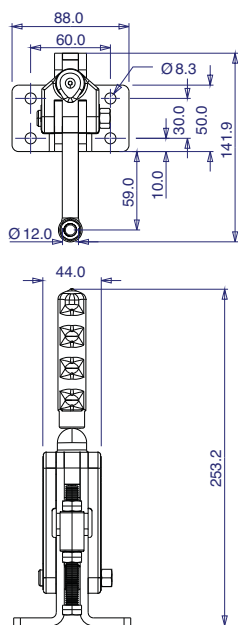
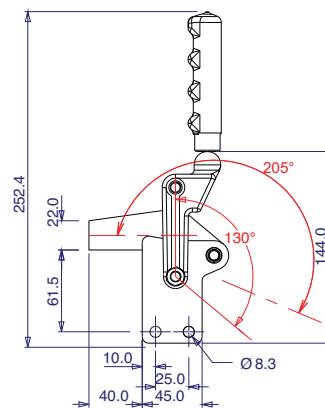


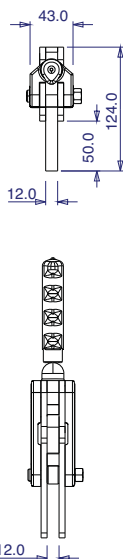
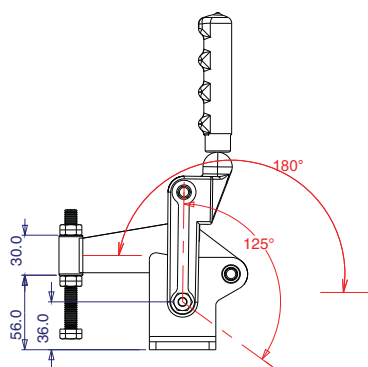
► Weldable All Base & Arm Type



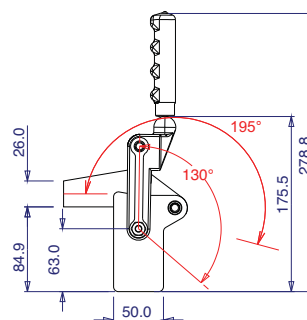
Part No:	GH-70720
Holding Force:	700Kg
Arm Opens:	205°
Handle Opens:	130°
Weight:	1.1Kg
Spindle Supplied:	-



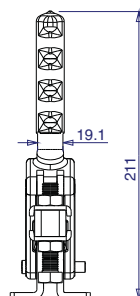
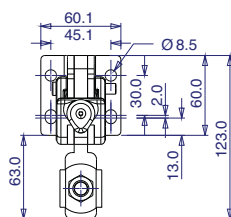
Part No:	GH-71225
Holding Force:	1200Kg
Arm Opens:	180°
Handle Opens:	125°
Weight:	1.95Kg
Spindle Supplied:	SA-109015



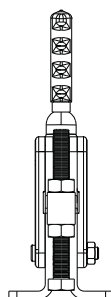
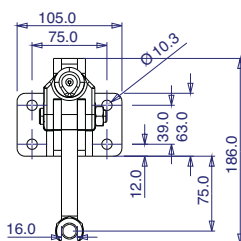
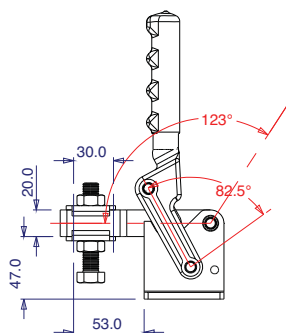
Part No:	GH-71220
Holding Force:	1200Kg
Arm Opens:	195°
Handle Opens:	130°
Weight:	1.8Kg
Spindle Supplied:	-



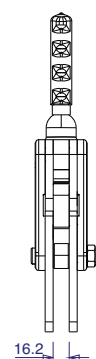
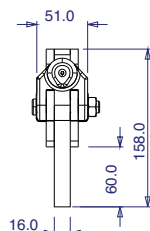
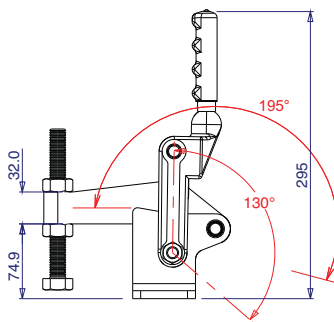
► Weldable All Base & Arm Type



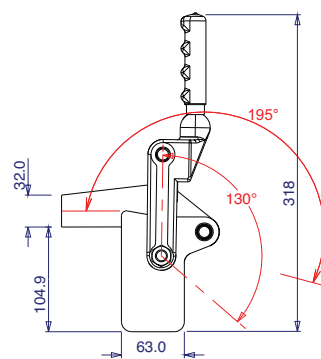
Part No:	GH-70533
Holding Force:	Kg
Arm Opens:	123°
Handle Opens:	82.5°
Weight:	Kg
Spindle Supplied:	SA-



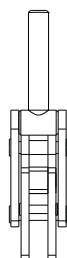
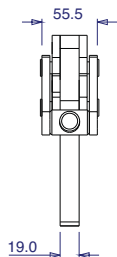
Part No:	GH-72425
Holding Force:	2400Kg
Arm Opens:	195°
Handle Opens:	130°
Weight:	4.1Kg
Spindle Supplied:	SA-165020



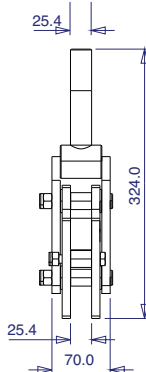
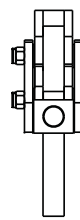
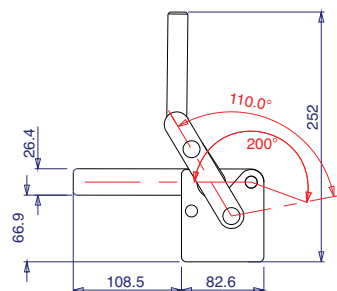
Part No:	GH-72420
Holding Force:	2400Kg
Arm Opens:	195°
Handle Opens:	130°
Weight:	3.75Kg
Spindle Supplied:	-



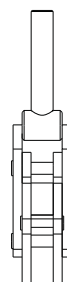
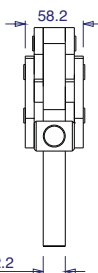
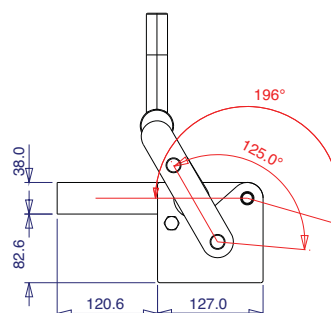
► Weldable All Base & Arm Type



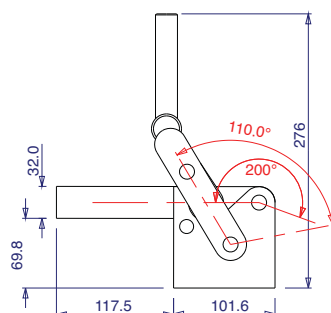
Part No:	GH-75048
Holding Force:	700Kg
Arm Opens:	200°
Handle Opens:	110°
Weight:	2.7Kg
Spindle Supplied:	-



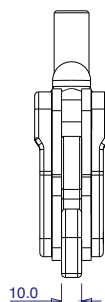
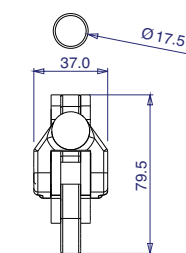
Part No:	GH-75088
Holding Force:	2500Kg
Arm Opens:	196°
Handle Opens:	125°
Weight:	6.5Kg
Spindle Supplied:	-



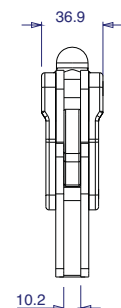
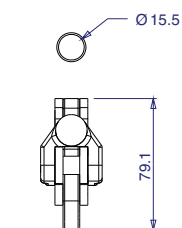
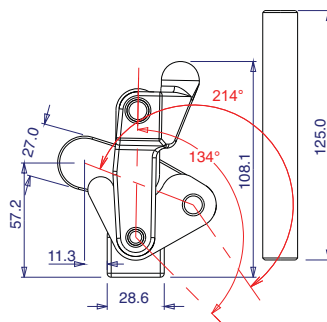
Part No:	GH-75078
Holding Force:	1600Kg
Arm Opens:	199°
Handle Opens:	127°
Weight:	4.20Kg
Spindle Supplied:	-



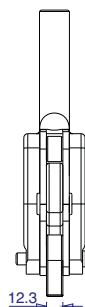
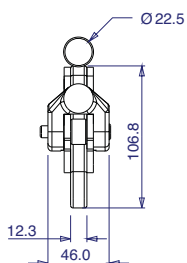
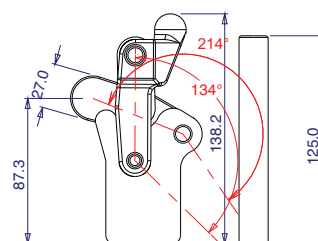
► Weldable All Base & Arm Type



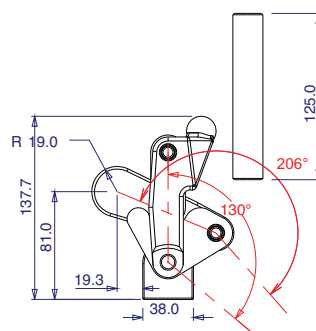
Part No:	GH-70310
Holding Force:	500Kg
Arm Opens:	214°
Handle Opens:	134°
Weight:	0.85Kg
Spindle Supplied:	-



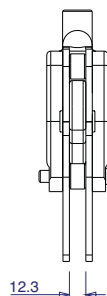
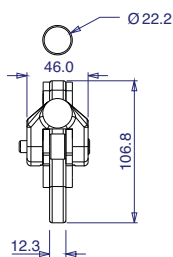
Part No:	GH-70315
Holding Force:	500Kg
Arm Opens:	214°
Handle Opens:	134°
Weight:	0.94Kg
Spindle Supplied:	-



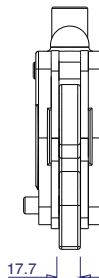
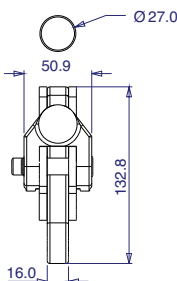
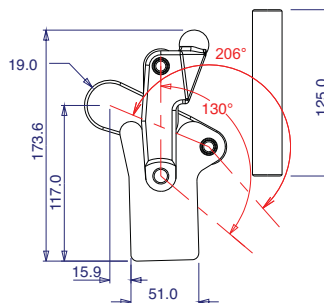
Part No:	GH-70510
Holding Force:	1000Kg
Arm Opens:	206°
Handle Opens:	130°
Weight:	1.49Kg
Spindle Supplied:	-



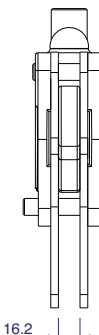
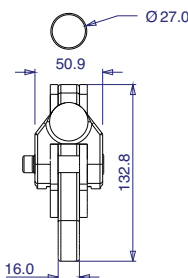
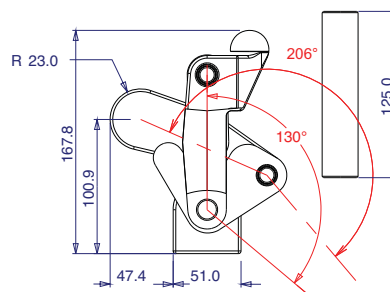
► Weldable All Base & Arm Type



Part No:	GH-70515
Holding Force:	1000Kg
Arm Opens:	206°
Handle Opens:	130°
Weight:	1.59Kg
Spindle Supplied:	-



Part No:	GH-70610
Holding Force:	2000Kg
Arm Opens:	206°
Handle Opens:	130°
Weight:	2.83Kg
Spindle Supplied:	-



Part No:	GH-70615
Holding Force:	2000Kg
Arm Opens:	206°
Handle Opens:	130°
Weight:	2.95Kg
Spindle Supplied:	-

