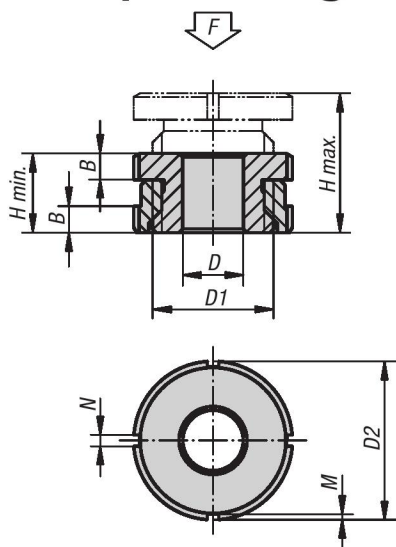




Level-compensating components

METRIC
Parts



Material:
Steel 1.7225;
stainless steel 1.4305

Type:
Steel zinc plated, blue chromate;
stainless steel natural finish

Part Number Example:
K0694.0404

Note:
The level-compensating bolts are used when dealing with the positioning and alignment of motors, motor units, drive components and production lines. The advantage of a level adjustment bolt is its low height. Using the level-compensating bolt, alignments can be quickly and easily made, even if several ball-bearing positions are involved. This guarantees assembly with no risk of deviation.

KIPP Level-compensating components, metric

Item No.	Material	D	for screw	D1	D2	H min.	H max.	B	N	M	F KN
K0694.0404	steel	4,5	M4	M15x1	25	15	19	5	4	2	40
K0694.0405	steel	5,5	M5	M15x1	25	15	19	5	4	2	40
K0694.0406	steel	6,6	M6	M15x1	25	15	19	5	4	2	40
K0694.0506	steel	6,6	M6	M20x1	32	18	23	6	4	2	65
K0694.0508	steel	9	M8	M20x1	32	18	23	6	4	2	65
K0694.0510	steel	11	M10	M20x1	32	18	23	6	4	2	65
K0694.0710	steel	11	M10	M30x1,5	45	22	29	7	5	2	120
K0694.0712	steel	13,5	M12	M30x1,5	45	22	29	7	5	2	120
K0694.0716	steel	17,5	M16	M30x1,5	45	22	29	7	5	2	120
K0694.0916	steel	17,5	M16	M40x1,5	58	28	37	9	6	2,5	210
K0694.0920	steel	22	M20	M40x1,5	58	28	37	9	6	2,5	210
K0694.0924	steel	26	M24	M40x1,5	58	28	37	9	6	2,5	210
K0694.1020	steel	22	M20	M50x1,5	70	33	43	11	6	2,5	330
K0694.1024	steel	26	M24	M50x1,5	70	33	43	11	6	2,5	330
K0694.1030	steel	33	M30	M50x1,5	70	33	43	11	6	2,5	330
K0694.04041	stainless steel	4,5	M4	M15x1	25	15	19	5	4	2	27,1
K0694.04051	stainless steel	5,5	M5	M15x1	25	15	19	5	4	2	27,1
K0694.04061	stainless steel	6,6	M6	M15x1	25	15	19	5	4	2	27,1
K0694.05061	stainless steel	6,6	M6	M20x1	32	18	23	6	4	2	43,4
K0694.05081	stainless steel	9	M8	M20x1	32	18	23	6	4	2	43,4
K0694.05101	stainless steel	11	M10	M20x1	32	18	23	6	4	2	43,4
K0694.07101	stainless steel	11	M10	M30x1,5	45	22	29	7	5	2	84
K0694.07121	stainless steel	13,5	M12	M30x1,5	45	22	29	7	5	2	84
K0694.07161	stainless steel	17,5	M16	M30x1,5	45	22	29	7	5	2	84
K0694.09161	stainless steel	17,5	M16	M40x1,5	58	28	37	9	6	2,5	148
K0694.09201	stainless steel	22	M20	M40x1,5	58	28	37	9	6	2,5	148
K0694.09241	stainless steel	26	M24	M40x1,5	58	28	37	9	6	2,5	148
K0694.10201	stainless steel	22	M20	M50x1,5	70	33	43	11	6	2,5	225
K0694.10241	stainless steel	26	M24	M50x1,5	70	33	43	11	6	2,5	225
K0694.10301	stainless steel	33	M30	M50x1,5	70	33	43	11	6	2,5	225

