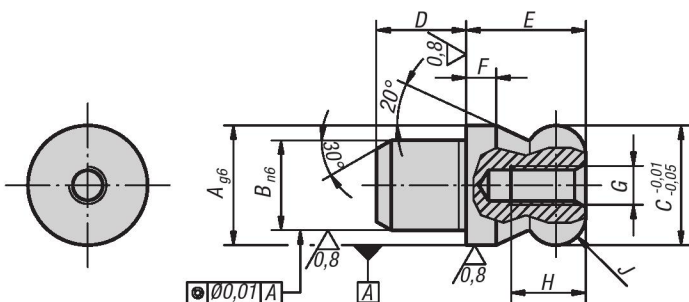




Locating Components

with ball end, Style B

METRIC
Parts



Material:

Tool steel or stainless steel 1.4305.

Type:

Steel hardened and ground.

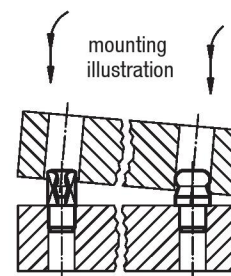
Stainless steel ground and kolsterized.

Part Number Example:

K0351.20

Note:

Ball end locating pins are specially designed to ease the locating process. The tendency to jam, caused by the locating hole not being at right angles to the pin or by the pushing force not being parallel to the pin axis, is minimized by the ball end form (see illustration).



KIPP Locating Components with ball end Style B, metric

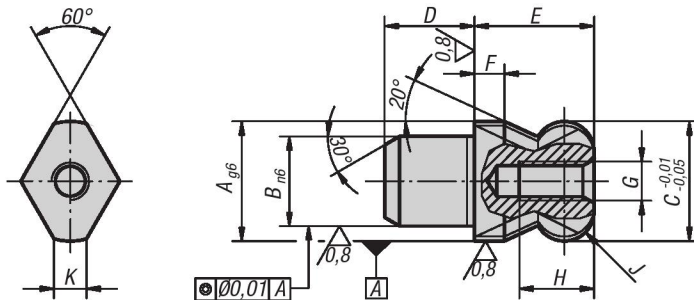
Item No. steel	Item No. stainless steel	A	B	C	D	E	F	G	H	J
K0351.10	K0351.510	10	7	10	7	10	2,5	M3	6	R 2,5
K0351.12	K0351.512	12	8	12	8	12	3	M4	8	R 3
K0351.16	K0351.516	16	12	16	12	16	4	M5	10	R 4
K0351.20	K0351.520	20	14	20	14	20	5	M5	10	R 5
K0351.22	-	22	16	22	16	22	5,5	M5	10	R 5,5
K0351.25	-	25	18	25	18	25	6	M5	10	R 6



Locating Components

with flattened ball end, Style D

METRIC
Parts



Material:

Tool steel or stainless steel 1.4305.

Type:

Steel hardened and ground.

Stainless steel ground and kolsterized.

Part Number Example:

K0351.162

Note:

Ball end locating pins are specially designed to ease the locating process. The tendency to jam, caused by the locating hole not being at right angles to the pin or by the pushing force not being parallel to the pin axis, is minimized by the ball end form. (See the illustration for K0351 Style B)

KIPP Locating Components with flattened ball end Style D, metric

Item No. steel	Item No. stainless steel	A	B	C	D	E	F	G	H	J	K
K0351.102	K0351.5102	10	7	10	7	10	2,5	M3	6	R 2,5	2,5
K0351.122	K0351.5122	12	8	12	8	12	3	M4	8	R 3	2,5
K0351.162	K0351.5162	16	12	16	12	16	4	M5	10	R 4	4,3
K0351.202	K0351.5202	20	14	20	14	20	5	M5	10	R 5	5
K0351.222	-	22	16	22	16	22	5,5	M5	10	R 5,5	5
K0351.252	-	25	18	25	18	25	6	M5	10	R 6	5,6