



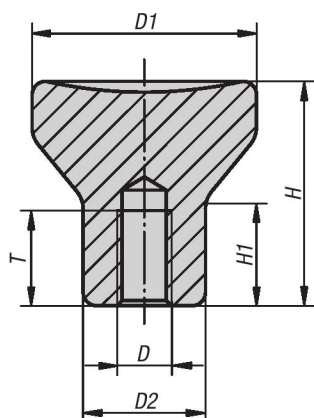
# Mushroom Knobs

stainless steel



INCH  
Parts

METRIC  
Parts



**Material:**

Stainless steel 1.4305.

**Type:**

Electrolytic-polish.

**Part Number Example:**

K0250.9AC

## KIPP Mushroom Knobs, stainless steel, internal thread, inch

Item No.	D	D1	D2	H	H1	T
K0250.9AC	2-56	14	8	14	6.7	4
K0250.0AD	6-32	18	10	18	8.6	7.5
K0250.1AE	8-32	21	12	21	10	10
K0250.1A0	10-24	21	12	21	10	12.5
K0250.1A1	10-32	21	12	21	10	12.5
K0250.2A2	1/4-20	25	14	25	12	12
K0250.3A3	5/16-18	33	18	33	16	16
K0250.4A4	3/8-16	40	24	40	18.7	20

## KIPP Mushroom Knobs, stainless steel, internal thread, metric

Item No.	D	D1	D2	H	H1	T
K0250.902	M2	14	8	14	6,7	4
K0250.003	M3	18	10	18	8,6	7,5
K0250.104	M4	21	12	21	10	10
K0250.105	M5	21	12	21	10	12,5
K0250.206	M6	25	14	25	12	12
K0250.308	M8	33	18	33	16	16
K0250.410	M10	40	24	40	18,7	20