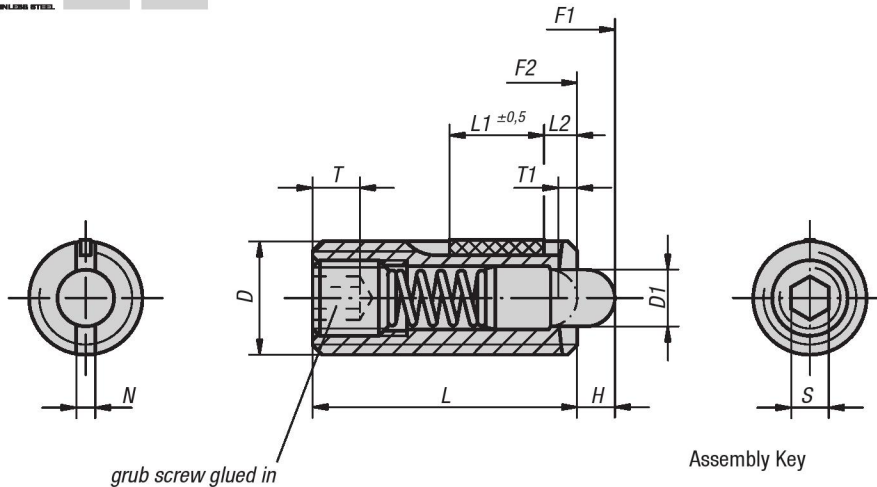


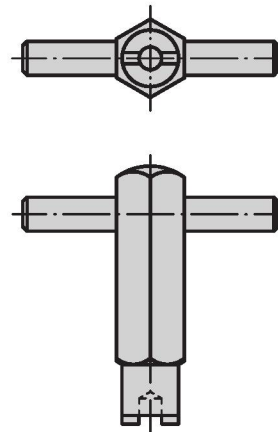


# Spring Plungers

LONG-LOK, pin style, hexagon socket, stainless steel body and pin



L2 = approx. 2x thread pitch



**Material:**  
Body 1.4305;  
pressure pin 1.4034;  
spring 1.4310

LONG-LOK thread system in nylon

**Type:**  
Body natural finish,  
pressure pin hardened

**Part Number Example:**  
K0329.A1

## KIPP Spring Plungers, LONG-LOK, pin style, hexagon socket, stainless steel body and pin, standard end pressure, inch

Item No.	D	D1	L	L1	H	T	T1	N	S	Spring force initial pressure F1 approx. N	Spring force final pressure F2 approx. N	Tightening torque approx. Nm	Loosening torque, after third unscrewing approx. Nm	Item No. Assembly key
K0329.A1	10-32	2.4	18	7	2.3	2	0.8	0.8	1/16	5	17	0.12	0.08	K0317.905
K0329.AJ	1/4-28	2.7	20	7	2.5	2.5	1	1	5/64	6	17	0.45	0.22	K0317.906
K0329.A2	1/4-20	2.7	20	7	2.5	2.5	1	1	5/64	6	17	0.45	0.22	K0317.906
K0329.A3	5/16-18	3.5	22	8	3	3	1.4	1.2	3/32	7	29	1.05	0.37	K0317.908
K0329.A4	3/8-16	4	22	9	3	3.5	1.4	1.6	1/8	8	31	1.30	0.60	K0317.910
K0329.A5	1/2-13	6	28	10	4	5	2	2	5/32	10	47	2.00	1.30	K0317.912
K0329.A6	5/8-11	7.5	32	14	5	6	2.5	2.5	3/16	45	100	3.90	3.00	K0317.916

## KIPP Spring Plungers, LONG-LOK, pin style, hexagon socket, stainless steel body and pin, standard end pressure, metric

Item No.	D	D1	L	L1	H	T	T1	N	S	Spring force initial pressure F1 approx. N	Spring force final pressure F2 approx. N	Tightening torque approx. Nm	Loosening torque, after third unscrewing approx. Nm	Item No. Assembly key
K0329.05	M5	2,4	18	7	2,3	2	0,8	0,8	1,5	5	17	0,12	0,08	K0317.905
K0329.06	M6	2,7	20	7	2,5	2,5	1	1	2	6	17	0,45	0,22	K0317.906
K0329.08	M8	3,5	22	8	3	3	1,4	1,2	2,5	7	29	1,05	0,37	K0317.908
K0329.10	M10	4	22	9	3	3,5	1,4	1,6	3	8	31	1,30	0,60	K0317.910
K0329.12	M12	6	28	10	4	5	2	2	4	10	47	2,00	1,30	K0317.912
K0329.16	M16	7,5	32	14	5	6	2,5	2,5	5	45	100	3,90	3,00	K0317.916