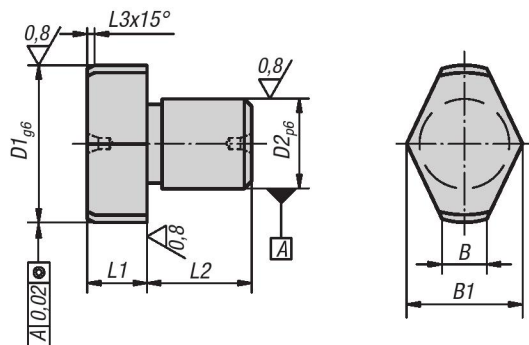




Free-Milled Positioning Pins

METRIC
Parts



Material:

Tool steel.

Type:

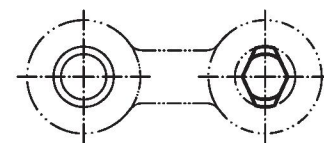
Hardened and ground.

Part Number Example:

K0354.08

Note:

Face surfaces with center hole.



KIPP Free-Milled Positioning Pins, ground, metric

Item No.	Version	D1	D2	L1	L2	L3	B	B1
K0354.05	D1 ground	8	5	8	8	2	2	6,6
K0354.07	D1 ground	10	7	8	8	2	3	8,6
K0354.08	D1 ground	12	8	8	10	2	3	9,8
K0354.081	D1 ground	14	8	8	10	3	3,5	11,2
K0354.09	D1 ground	16	9	8	12	3	4	13,2
K0354.12	D1 ground	18	12	8	12	3	4,5	14,7
K0354.121	D1 ground	20	12	8	14	3	5	16,6
K0354.14	D1 ground	22	14	8	14	3	5,6	18
K0354.16	D1 ground	25	16	8	16	3	6	19,8