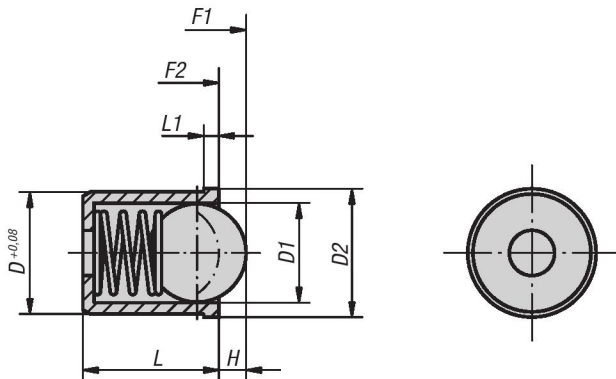




Spring Plungers

push fit stainless steel



Material:

Body and spring in stainless steel.
Ball in stainless steel or in POM.

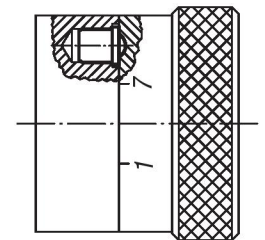
Type:

Body natural finish.
Ball hardened, natural finish.
Plastic ball white.

Part Number Example:

K0333.04

Application Diagram



KIPP Spring Plungers, push fit, stainless steel, metric

Item No.	Version	D	D1	D2	L	L1	H	Spring force initial pressure F1 approx. N	Spring force final pressure F2 approx. N
K0333.04	ball in stainless steel	4	3	4,6	5	1	0,8	3	7
K0333.05	ball in stainless steel	5	4	5,6	6	1	1	4	7
K0333.06	ball in stainless steel	6	5	6,5	7	1	1,5	6	12
K0333.08	ball in stainless steel	8	6,5	8,5	9	1	1,8	6	12
K0333.10	ball in stainless steel	10	8	12	13,5	2,5	2,7	10	20
K0333.12	ball in stainless steel	12	10	14	16	2,5	3,5	15	25

KIPP Spring Plungers, push fit, stainless steel, metric

Item No.	Version	D	D1	D2	L	L1	H	Spring force initial pressure F1 approx. N	Spring force final pressure F2 approx. N
K0333.304	ball in POM	4	3	4,6	5	1	0,5	3	7
K0333.305	ball in POM	5	4	5,6	6	1	0,6	4	7
K0333.306	ball in POM	6	5	6,5	7	1	1,1	6	12
K0333.308	ball in POM	8	6,5	8,5	9	1	1,5	6	12
K0333.310	ball in POM	10	8	12	13,5	2,5	2,3	10	20
K0333.312	ball in POM	12	10	14	16	2,5	3,1	15	25

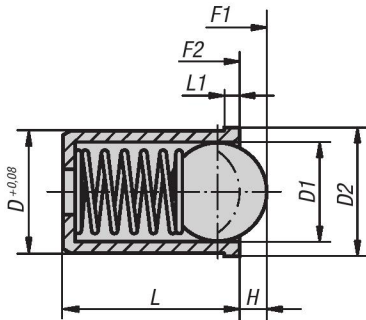


Spring Plungers

push fit extended, stainless steel



New Item



Material:

Body and spring in stainless steel.
Ball in stainless steel or in POM.

Type:

Body natural finish.
Ball hardened, natural finish.
Plastic ball white.

Part Number Example:

K0333.104

KIPP Spring Plungers push fit, extended, stainless steel, metric

Item No.	Version	D	D1	D2	L	L1	H	Spring force initial pressure F1 approx. N	Spring force final pressure F2 approx. N
K0333.104	ball in stainless steel	4	3	4,6	9	1	0,8	12	22
K0333.105	ball in stainless steel	5	4	5,6	12	1	1	19	30
K0333.106	ball in stainless steel	6	5	6,5	14	1	1,5	22	40
K0333.108	ball in stainless steel	8	6	8,5	16	1	1,8	42	73
K0333.110	ball in stainless steel	10	8	12	22	2,5	2,7	54	100
K0333.112	ball in stainless steel	12	10	14	24	2,5	3,2	54	122
K0333.404	ball in POM	4	3	4,6	9	1	0,8	12	22
K0333.405	ball in POM	5	4	5,6	12	1	1	19	30
K0333.406	ball in POM	6	5	6,5	14	1	1,5	22	40
K0333.408	ball in POM	8	6	8,5	16	1	1,8	42	73
K0333.410	ball in POM	10	8	12	22	2,5	2,7	54	100
K0333.412	ball in POM	12	10	14	24	2,5	3,2	54	122