



# Handwheels

without handle

INCH Parts  
METRIC Parts



This modern, eye appealing handwheel combines quality, durability, strength, ergonomics and safety into one product.

Superior design ensures precision adjustments, ergonomic handling and safe operation.

**Material:**

Black gray thermoplastic.

**Type:**

Steel parts black oxide finish.

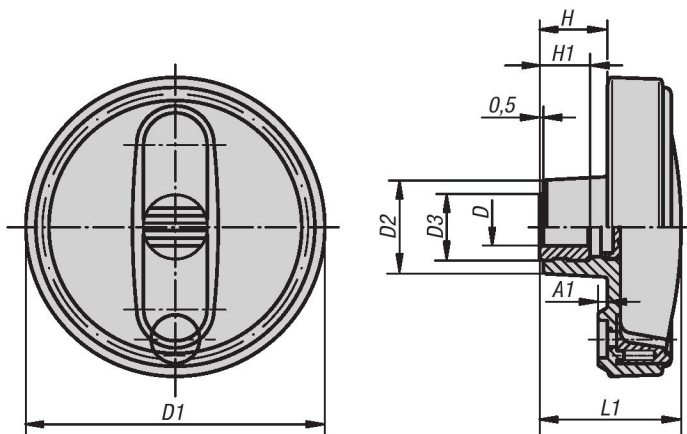
**Part Number Example:**

K0256.1080C0

**Note:**

The hub cover is supplied loose.

The handwheels can be secured using a transverse pin or by parallel key connection together with a DIN 6912 socket head screw and a DIN 7349 washer.



## KIPP Handwheels, without handle, inch

Item No.	Size	D	D1	D2	D3	A1	H	H1	L1
K0256.1080C0	1	.375	80	25	19	2.5	17.5	13	37.5
K0256.2100C0	2	.375	100	28	19	3	20	13	44
K0256.2100CP	2	.500	100	28	19	3	20	13	44
K0256.3125CP	3	.500	125	35	25	4	23.5	18.5	53
K0256.4160CP	4	.500	160	45	25	5.6	28	18.5	64.5
K0256.4160CQ	4	.625	160	45	25	5.6	28	18.5	64.5

## KIPP Handwheels, without handle, metric

Item No.	Size	D	D1	D2	D3	A1	H	H1	L1
K0256.108008	1	8	80	25	19	2,5	17,5	13	37,5
K0256.210010	2	10	100	28	19	3	20	13	44
K0256.210012	2	12	100	28	19	3	20	13	44
K0256.312512	3	12	125	35	25	4	23,5	18,5	53
K0256.416014	4	14	160	45	25	5,6	28	18,5	64,5
K0256.416016	4	16	160	45	25	5,6	28	18,5	64,5