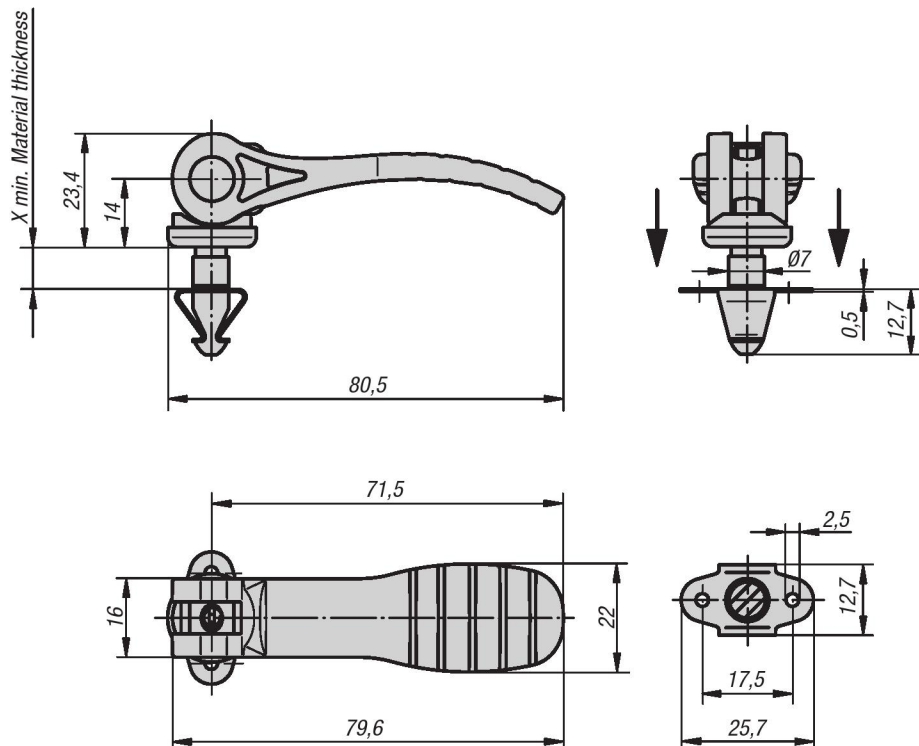


Cam Levers

with quick lock

METRIC
Parts



Material:

Handle and thrust washer glass-fibre reinforced plastic PA66;
hinge pin in stainless steel 1.4305;
locking pin in steel 1.0718;
spring clip in stainless steel 1.4310

Type:

Handle and thrust washer black;
hinge pin natural finish;
locking pin blue chromate;
spring clip passivated

Part Number Example:

K0751.121107X2

Note:

A sheet metal element can be positioned by engaging the spring clip. The sheet metal element is then clamped using the handle.

Plastic materials are subject to creeping under compression (retardation).

KIPP Cam Levers with quick lock, metric

Item No.	X min. mat. thickness	Clamping force ca. N
K0751.121107X2	2	500
K0751.121107X4	4	500
K0751.121107X6	6	500
K0751.121107X8	8	500