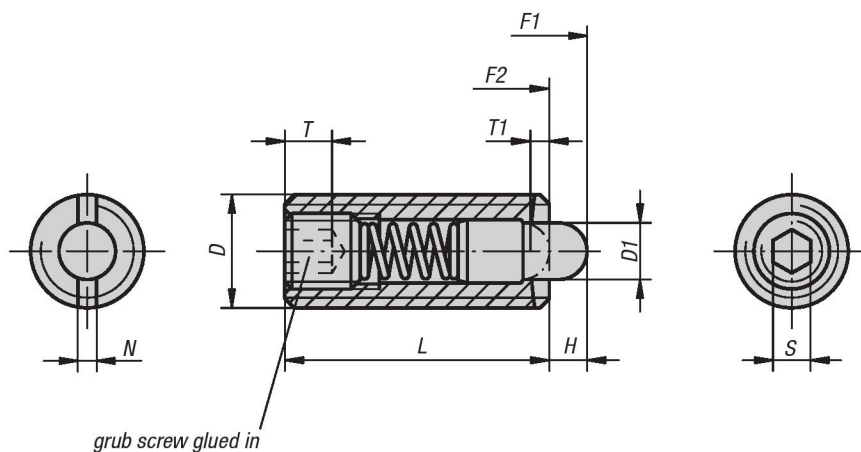




# Spring Plungers

pin style, hexagon socket, stainless steel body and pin



### Material:

Body in stainless steel 1.4305;  
pressure pin in stainless steel 1.4034;  
spring in stainless steel 1.4310

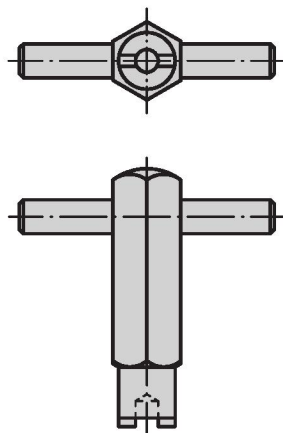
### Type:

Body natural finish,  
pressure pin hardened

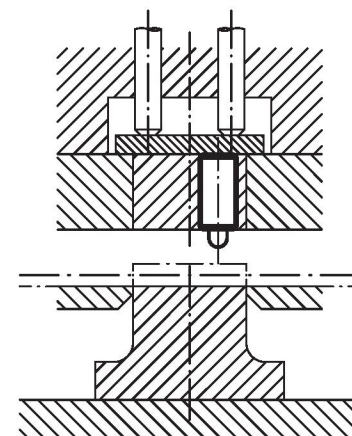
### Part Number Example:

K0319.AG

Assembly Key



Application Diagram



## KIPP Spring Plungers, pin style, hexagon socket, stainless steel body and pin, standard end pressure, inch

Item No.	D	D1	L	H	T	T1	N	S	Spring force initial pressure F1 approx. N	Spring force final pressure F2 approx. N	Item No. Assembly key
K0319.AG	8-36	1.5	15	1.5	2	0.6	0.6	.050	5	16	K0317.904
K0319.AE	8-32	1.5	15	1.5	2	0.6	0.6	.050	5	16	K0317.904
K0319.A1	10-32	2.4	18	2.3	2	0.8	0.8	1/16	5	17	K0317.905
K0319.AJ	1/4-28	2.7	20	2.5	2.5	1	1	5/64	6	17	K0317.906
K0319.A2	1/4-20	2.7	20	2.5	2.5	1	1	5/64	6	17	K0317.906
K0319.A3	5/16-18	3.5	22	3	3	1.4	1.2	3/32	7	29	K0317.908
K0319.A4	3/8-16	4	22	3	3.5	1.4	1.6	1/8	8	31	K0317.910
K0319.A5	1/2-13	6	28	4	5	2	2	5/32	10	47	K0317.912
K0319.A6	5/8-11	7.5	32	5	6	2.5	2.5	3/16	45	100	K0317.916



## Spring Plungers

pin style, hexagon socket, stainless steel body and pin

### KIPP Spring Plungers, pin style, hexagon socket, stainless steel body and pin, standard end pressure, metric

Item No.	D	D1	L	H	T	T1	N	S	Spring force initial pressure F1 approx. N	Spring force final pressure F2 approx. N	Item No. Assembly key
K0319.03	M3	1	10	1,5	1,5	1	0,4	0,7	0,5	3	K0317.903
K0319.04	M4	1,5	15	1,5	2	0,6	0,6	1,3	5	16	K0317.904
K0319.05	M5	2,4	18	2,3	2	0,8	0,8	1,5	5	17	K0317.905
K0319.06	M6	2,7	20	2,5	2,5	1	1	2	6	17	K0317.906
K0319.08	M8	3,5	22	3	3	1,4	1,2	2,5	7	29	K0317.908
K0319.10	M10	4	22	3	3,5	1,4	1,6	3	8	31	K0317.910
K0319.12	M12	6	28	4	5	2	2	4	10	47	K0317.912
K0319.16	M16	7,5	32	5	6	2,5	2,5	5	45	100	K0317.916

### KIPP Spring Plungers, pin style, hexagon socket, stainless steel body and pin, heavy end pressure, metric

Item No.	D	D1	L	H	T	T1	N	S	Spring force initial pressure F1 approx. N	Spring force final pressure F2 approx. N	Item No. Assembly key
K0319.205	M5	2,4	18	2,3	2	0,8	0,8	1,5	9	26	K0317.905
K0319.206	M6	2,7	20	2,5	2,5	1	1	2	11	35	K0317.906
K0319.208	M8	3,5	22	3	3	1,4	1,2	2,5	15	48	K0317.908
K0319.210	M10	4	22	3	3,5	1,4	1,6	3	15	58	K0317.910
K0319.212	M12	6	28	4	5	2	2	4	19	74	K0317.912