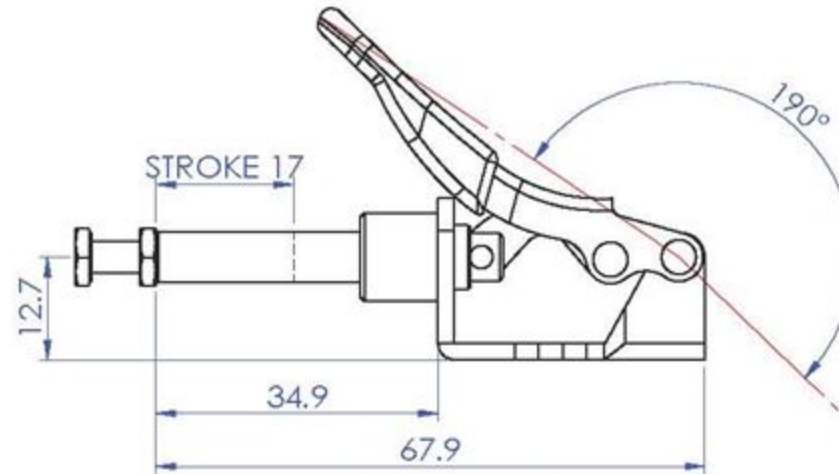
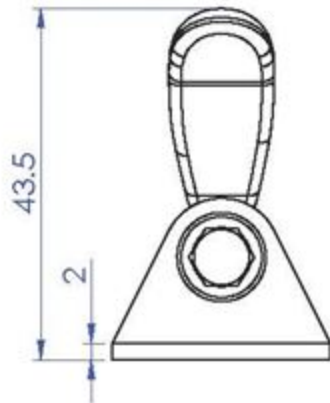
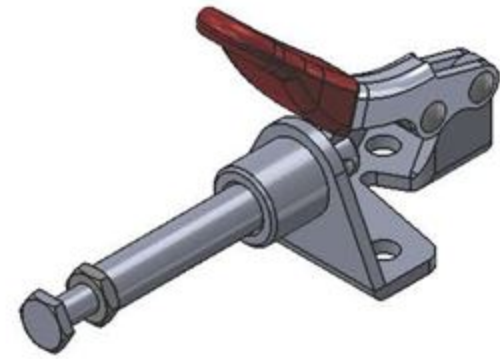
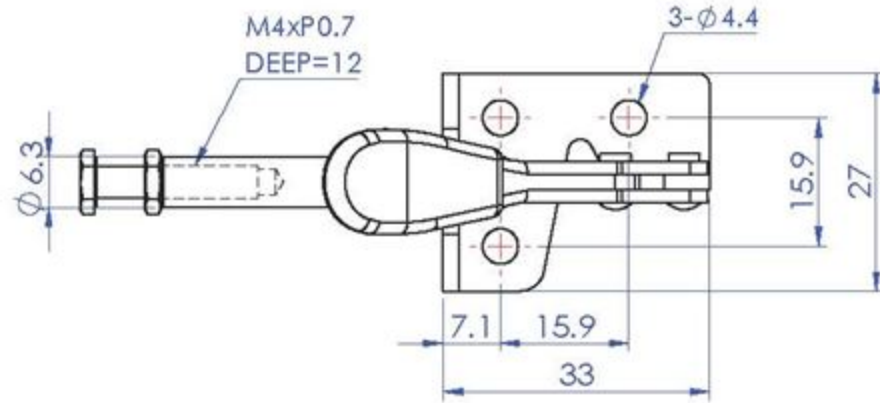


Part No:	GH-301-AMSS
Holding Capacity:	45Kg
Plunger Stroke:	17 mm
Handle Opens:	190°
Weight:	0.04Kg
Spindle Supplied:	SA-042007-SS



Unit:mm  
Scale: 1:1

**Good Hand UK Ltd**

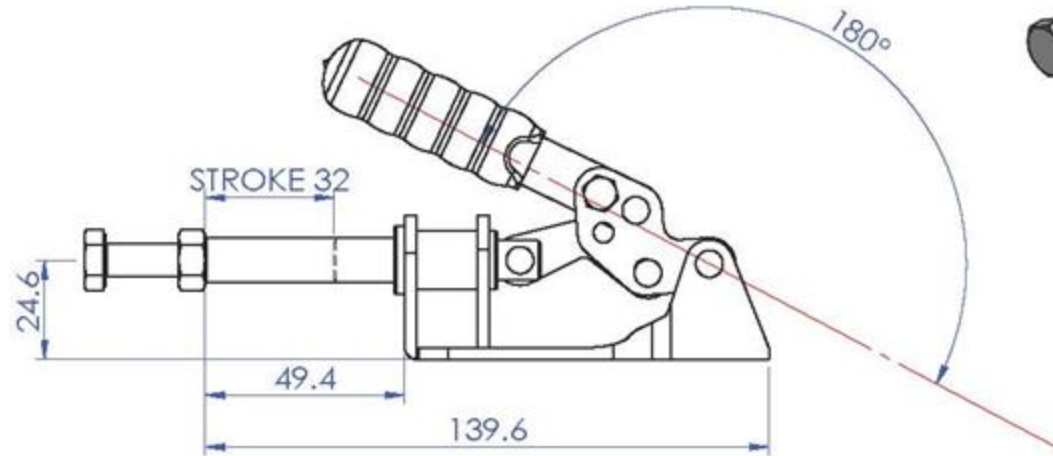
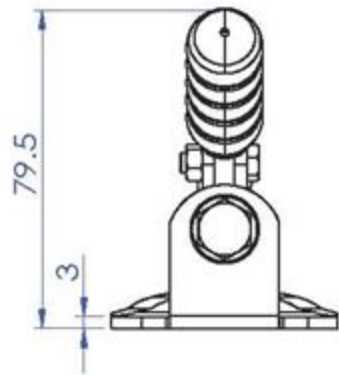
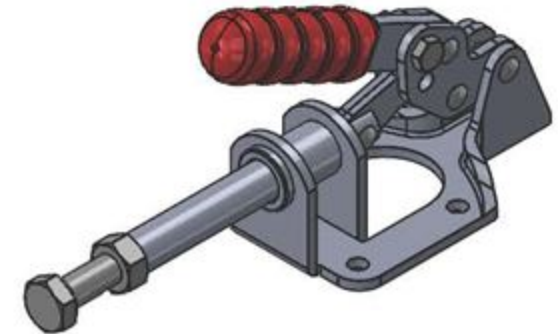
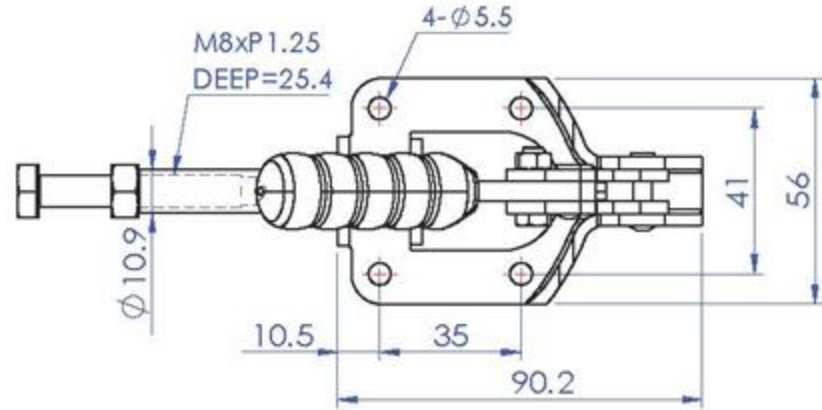
TITLE:

DWG NO.

GH-301-AMSS

A4

Part No:	GH-302-FMSS
Holding Capacity:	136Kg
Plunger Stroke:	32 mm
Handle Opens:	180°
Weight:	0.3Kg
Spindle Supplied:	SA-085012-SS



Unit:mm  
Scale: 1:2

**Good Hand UK Ltd**

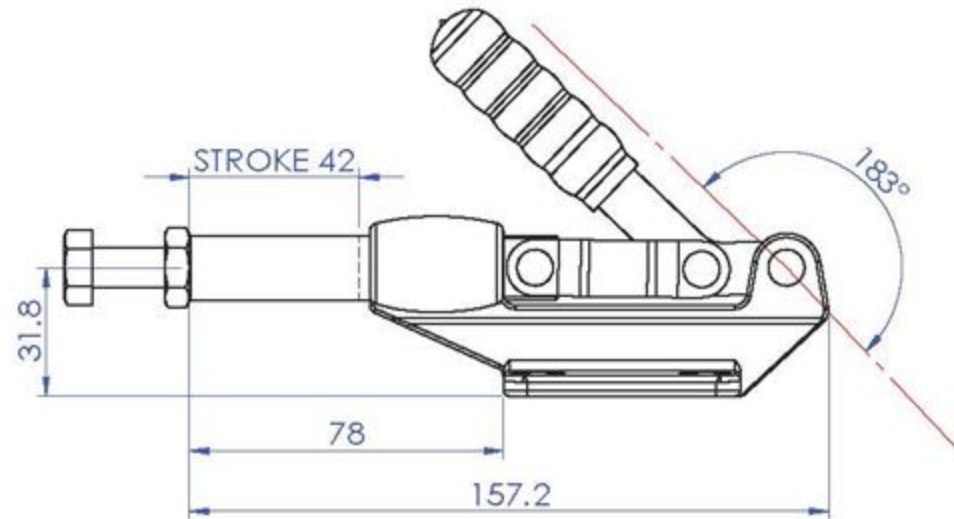
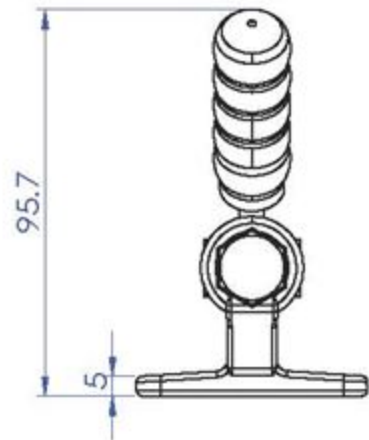
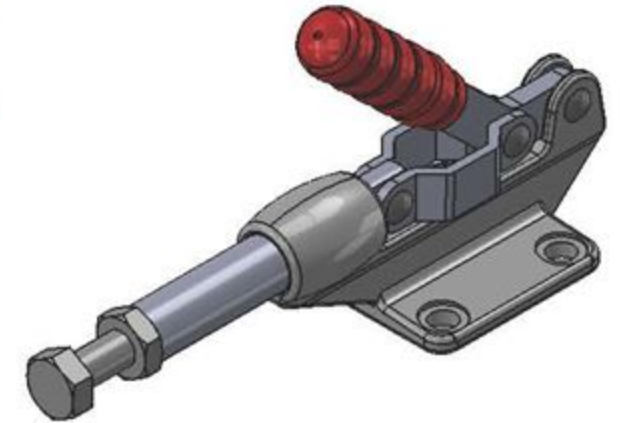
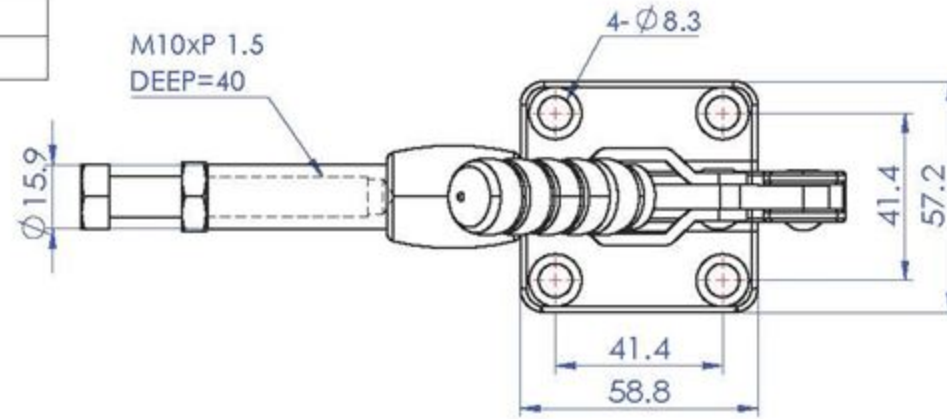
TITLE:

DWG NO.

GH-302-FMSS

A4

Part No:	GH-304-EMSS
Holding Capacity:	386Kg
Plunger Stroke:	42 mm
Handle Opens:	183°
Weight:	0.591Kg
Spindle Supplied:	SA-105015-SS



Unit:mm  
Scale: 1:2

**Good Hand UK Ltd**

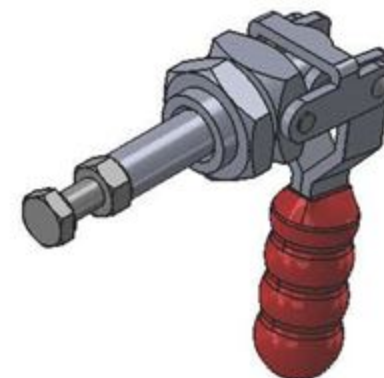
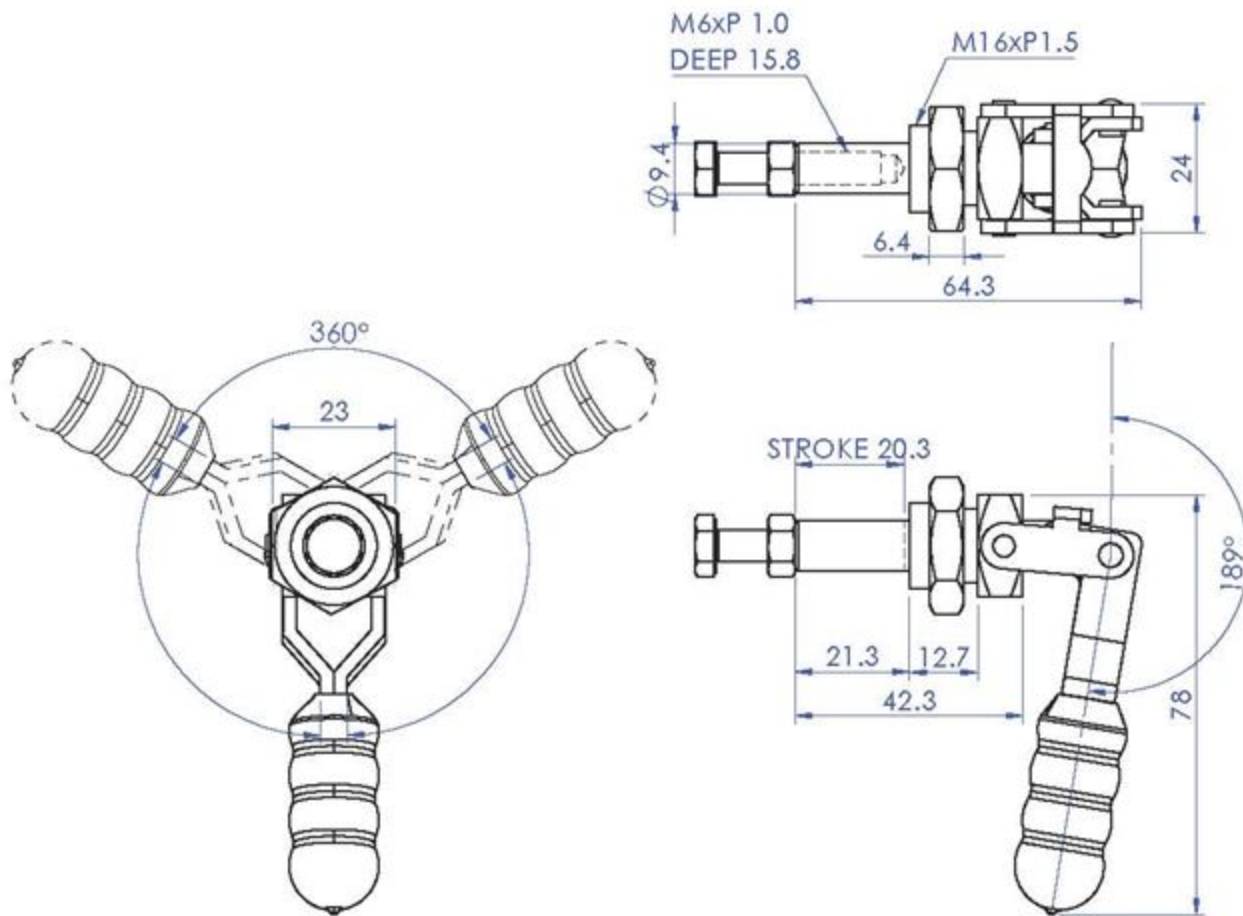
TITLE:

DWG NO.

GH-304-EMSS

A4

Part No:	GH-36202-MSS
Holding Capacity:	91Kg
Plunger Stroke:	20.3mm
Handle Opens:	189°
Weight:	0.122Kg
Spindle Supplied:	SA-064010-SS

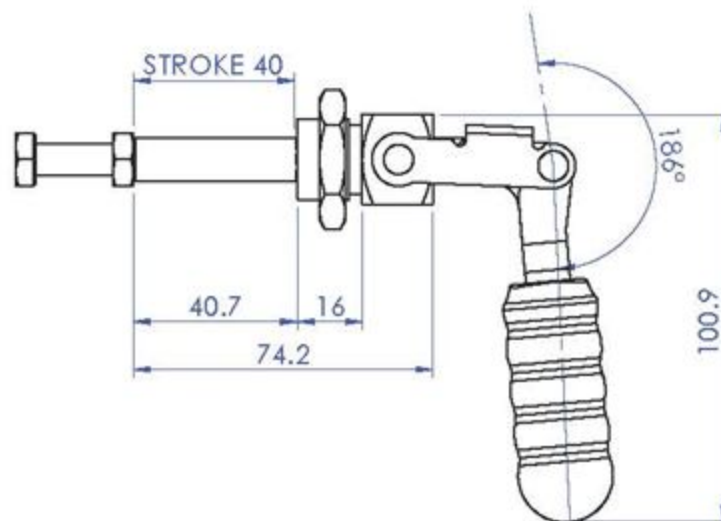
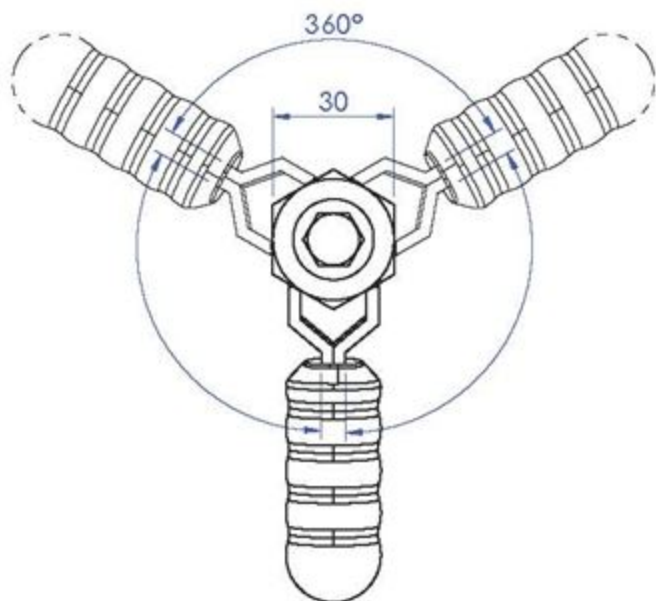
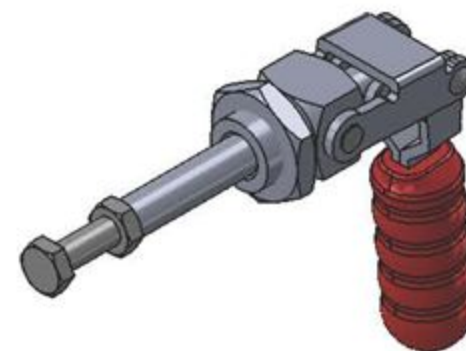
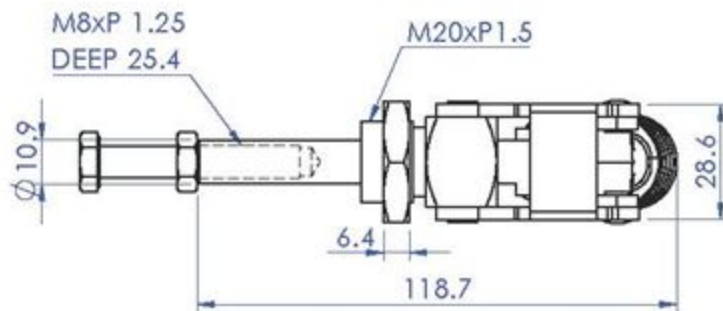


Unit:mm  
Scale: 1:1.5

<b>Good Hand UK Ltd</b>	
TITLE:	
DWG NO.	GH-36202-MSS
	A4



Part No:	GH-36204-MSS
Holding Capacity:	136Kg
Plunger Stroke:	40mm
Handle Opens:	186°
Weight:	0.28Kg
Spindle Supplied:	SA-085012-SS



Unit:mm  
Scale: 1:2

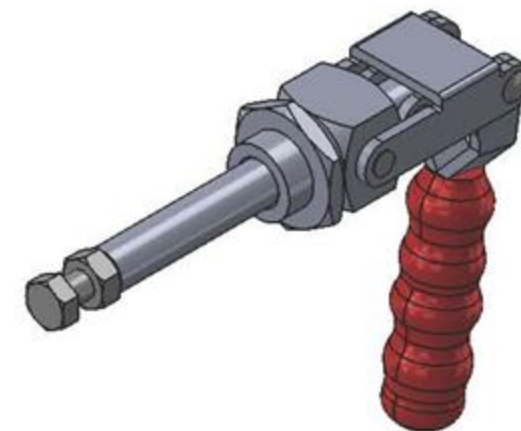
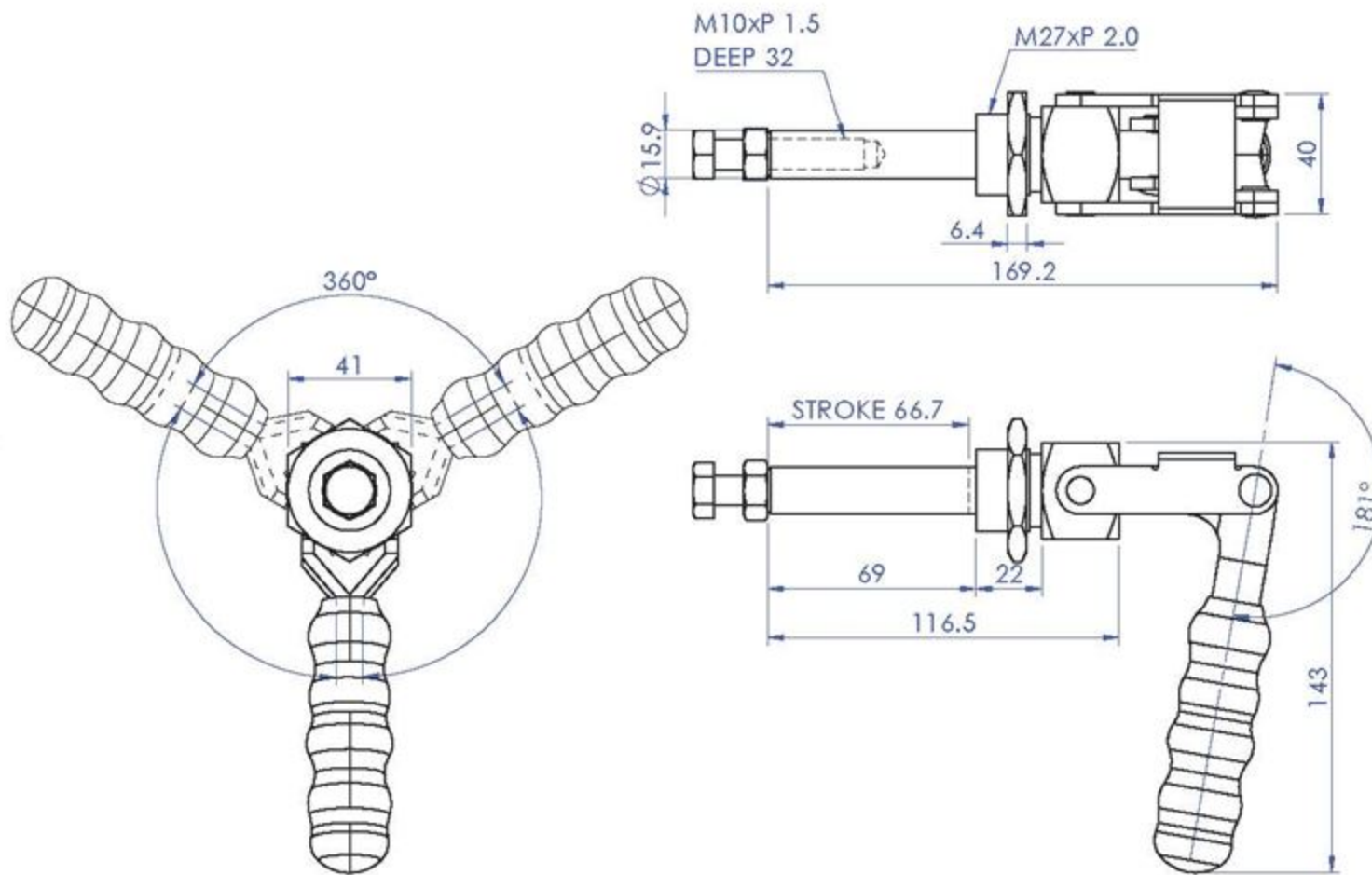
**Good Hand UK Ltd**

TITLE:

DWG NO. GH-36204-MSS

A4

Part No:	GH-36224-MSS
Holding Capacity:	318Kg
Plunger Stroke:	66.7mm
Handle Opens:	181°
Weight:	0.775Kg
Spindle Supplied:	SA-105015-SS



Unit:mm  
Scale: 1:2.5

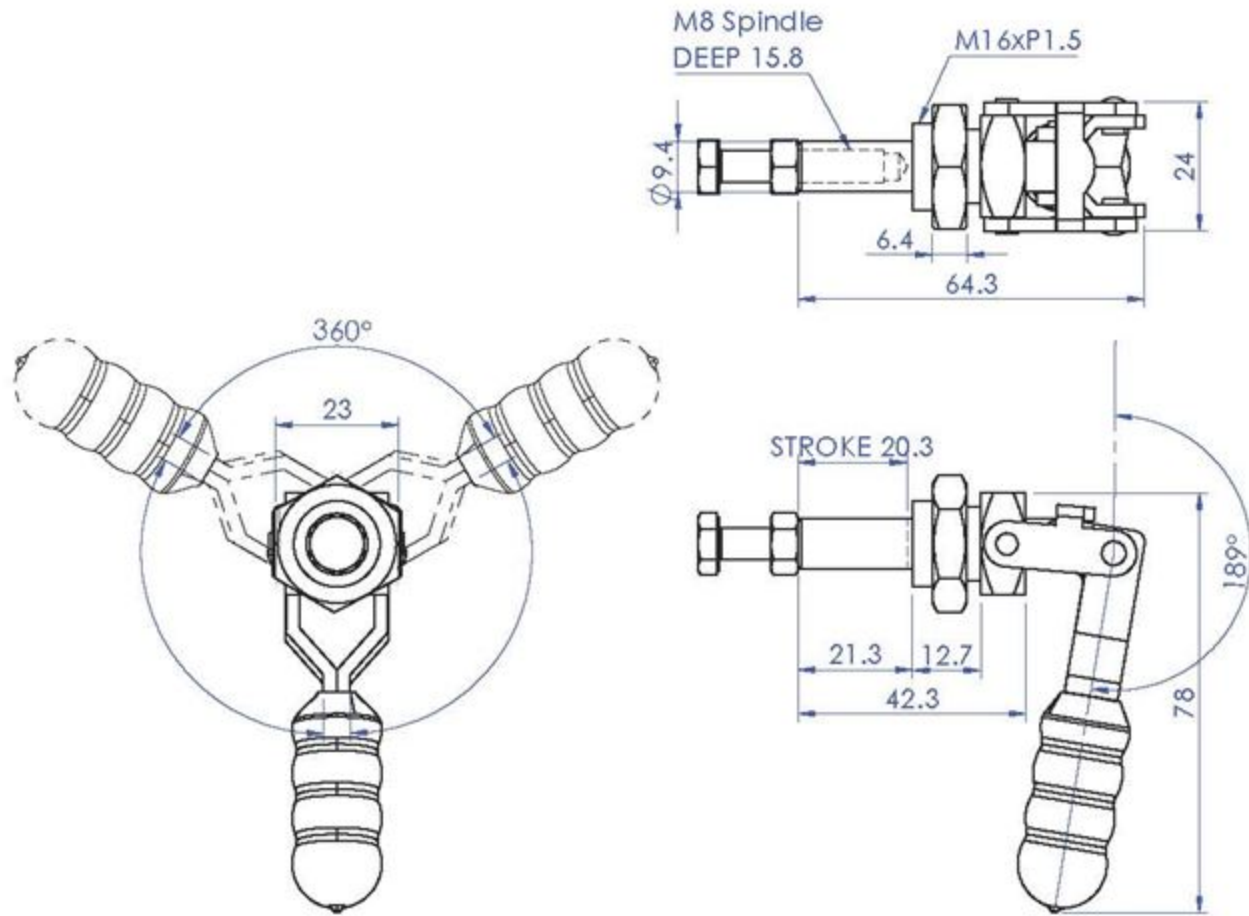
**Good Hand UK Ltd**

TITLE:

DWG NO. GH-36224-MSS

A4

Part No:	GH-36202-MSS
Holding Capacity:	91Kg
Plunger Stroke:	20.3mm
Handle Opens:	189°
Weight:	0.122Kg
Spindle Supplied:	SA-085012-ss



Please Note Handle On Actual  
Clamp Is Blue  
And Supplied with an M8x50mm  
Spindle  
All other dimensions are same as  
standard GH-36202-MSS

Unit:mm  
Scale: 1:1.5

<b>Good Hand UK Ltd</b>	
TITLE:	
DWG NO.	GH-36202-MSS SPECIAL A4