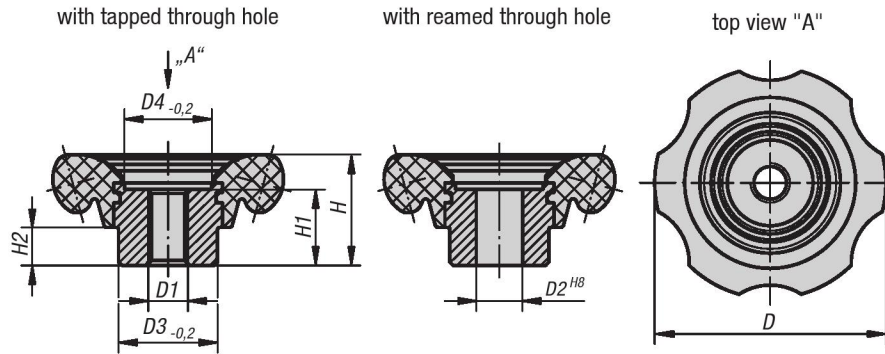




Six Lobe Knobs

Duroplast

INCH Parts METRIC Parts



Material:

Six Lobe Knob in Duroplast PF 31;
bushing in steel, black oxide finish

Type:

High-gloss polished, black

Part Number Example:

K0184.701A3

KIPP Six Lobe Knobs, Duroplast, inch

Item No.	Version	D	D1	D2	D3	D4	H	H1	H2
K0184.701A3	tapped through hole	70	5/16-18	-	30	26.5	33.5	23	11.5
K0184.701A4	tapped through hole	70	3/8-16	-	30	26.5	33.5	23	11.5
K0184.831A5	tapped through hole	83	1/2-13	-	35	31.5	40	28	14
K0184.831A6	tapped through hole	83	5/8-11	-	35	31.5	40	28	14
K0184.702C0	reamed through hole	70	-	.375	30	26.5	33.5	23	11.5
K0184.702CP	reamed through hole	70	-	.500	30	26.5	33.5	23	11.5
K0184.832CP	reamed through hole	83	-	.500	35	31.5	40	28	14
K0184.832CQ	reamed through hole	83	-	.625	35	31.5	40	28	14

KIPP Six Lobe Knobs, Duroplast, metric

Item No.	Version	D	D1	D2	D3	D4	H	H1	H2
K0184.70110	tapped through hole	70	M10	-	30	26,5	33,5	23	11,5
K0184.70112	tapped through hole	70	M12	-	30	26,5	33,5	23	11,5
K0184.83112	tapped through hole	83	M12	-	35	31,5	40	28	14
K0184.83116	tapped through hole	83	M16	-	35	31,5	40	28	14
K0184.70212	reamed through hole	70	-	12	30	26,5	33,5	23	11,5
K0184.70214	reamed through hole	70	-	14	30	26,5	33,5	23	11,5
K0184.83214	reamed through hole	83	-	14	35	31,5	40	28	14
K0184.83216	reamed through hole	83	-	16	35	31,5	40	28	14