



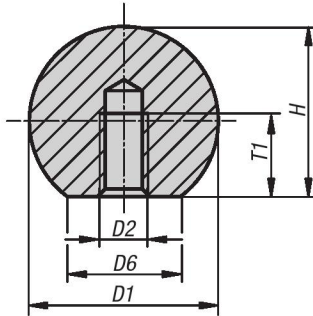
Ball Knobs

in stainless steel or aluminum, DIN 319

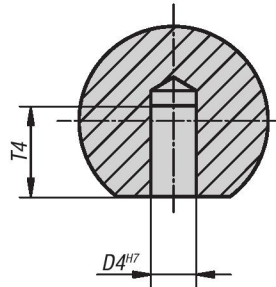
INCH Parts METRIC Parts



Style C
with tapped hole



Style K
with reamed hole



Material:

Stainless steel 1.4305 or aluminum

Type:

Polished

Part Number Example:

K0650.116AE3

KIPP Ball Knobs in aluminum, DIN 319, inch

| Item No. | Material | Style | D1 | D2 | ~D6 | ~H | T1 min. |
|--------------|----------|-------|----|---------|-----|------|---------|
| K0650.116AE2 | aluminum | C | 16 | 8-32 | 8 | 15 | 7.2 |
| K0650.120A12 | aluminum | C | 20 | 10-32 | 12 | 18 | 9.1 |
| K0650.125A22 | aluminum | C | 25 | 1/4-20 | 15 | 22.5 | 11 |
| K0650.132A32 | aluminum | C | 32 | 5/16-18 | 18 | 29 | 14.5 |
| K0650.140A42 | aluminum | C | 40 | 3/8-16 | 22 | 37 | 18 |
| K0650.150A52 | aluminum | C | 50 | 1/2-13 | 28 | 46 | 21 |

KIPP Ball Knobs in stainless steel, DIN 319, metric

| Item No. Style C | Item No. Style K | D1 | D2 | D4 | ~D6 | ~H | T1 min. | T4 min. |
|---------------------|---------------------|----|-------|------|-----|------|---------|---------|
| K0650.116043 | K0650.316043 | 16 | M4/- | -/6 | 8 | 15 | 7,2/- | -/10 |
| K0650.120053 | K0650.320053 | 20 | M5/- | -/8 | 12 | 18 | 9,1/- | -/12 |
| K0650.125063 | K0650.325063 | 25 | M6/- | -/10 | 15 | 22,5 | 11/- | -/16 |
| K0650.132083 | K0650.332083 | 32 | M8/- | -/12 | 18 | 29 | 14,5/- | -/20 |
| K0650.140103 | K0650.340103 | 40 | M10/- | -/16 | 22 | 37 | 18/- | -/25 |
| K0650.150123 | K0650.350123 | 50 | M12/- | -/20 | 28 | 46 | 21/- | -/32 |

KIPP Ball Knobs in aluminum, DIN 319, metric

| Item No. Style C | Item No. Style K | D1 | D2 | D4 | ~D6 | ~H | T1 min. | T4 min. |
|---------------------|---------------------|----|-------|------|-----|------|---------|---------|
| K0650.116042 | K0650.316042 | 16 | M4/- | -/6 | 8 | 15 | 7,2/- | -/10 |
| K0650.120052 | K0650.320052 | 20 | M5/- | -/8 | 12 | 18 | 9,1/- | -/12 |
| K0650.125062 | K0650.325062 | 25 | M6/- | -/10 | 15 | 22,5 | 11/- | -/16 |
| K0650.132082 | K0650.332082 | 32 | M8/- | -/12 | 18 | 29 | 14,5/- | -/20 |
| K0650.140102 | K0650.340102 | 40 | M10/- | -/16 | 22 | 37 | 18/- | -/25 |
| K0650.150122 | K0650.350122 | 50 | M12/- | -/20 | 28 | 46 | 21/- | -/32 |