



Disc Handwheels

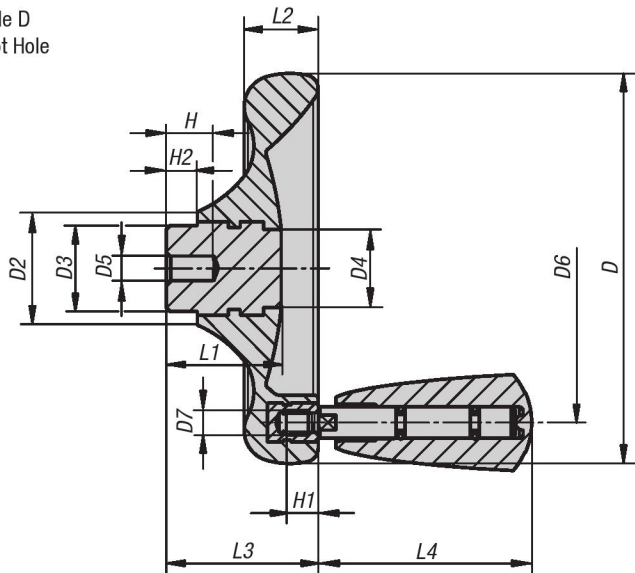
duroplastic with revolving taper grip

INCH
Parts

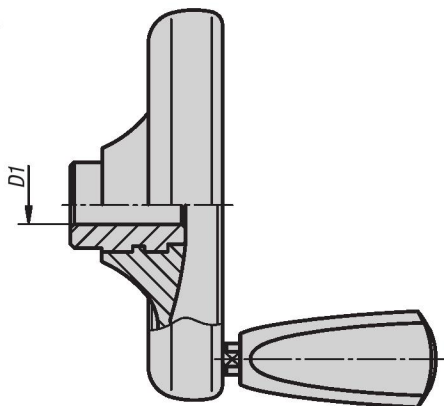
METRIC
Parts



Style D
Pilot Hole



Style E
Thru Bore Hole



Material:

Duroplast PF 31, black.
Hubs nickel-plated steel or
bright stainless steel 1.4305.
Revolving grip, steel parts nickel-plated or
stainless steel 1.4305, natural finish.

Type:

High-polish finish.

Part Number Example:

K0164.1100XCM

Note:

The handwheel is supplied with the grip unassembled.

On request:

Other reamed holes.



Disc Handwheels

duroplastic with revolving taper grip

KIPP Disc Handwheels, with revolving taper grip, inch

Item No.	Style	Size	D	D1	D2	D3	D4	D6	D7	H1	H2	L1	L2	L3	L4
K0164.1100XCM	E	1	100	.25	29	22	20	79	M6	9	8	29.5	19	39	54.7
K0164.1125XCO	E	2	125	.375	34	26	21	101	M6	9	8	34	24	46	54.7
K0164.1140XCP	E	3	140	.5	39	30	25	110	M8	12	8	38.5	27	52	82.2
K0164.1160XCQ	E	4	160	.625	43	33	30	128	M8	12	8	41.3	30.1	57	82.2
K0164.1160XCR	E	4	160	.75	43	33	30	128	M8	12	8	41.3	30.1	57	82.2

KIPP Disc Handwheels, with revolving taper grip, steel parts in stainless steel, inch

Item No.	Style	Size	D	D1	D2	D3	D4	D6	D7	H1	H2	L1	L2	L3	L4
K0164.3100XCM	E	1	100	.25	29	22	20	79	M6	9	8	29.5	19	39	54.7
K0164.3125XCO	E	2	125	.375	34	26	21	101	M6	9	8	34	24	46	54.7
K0164.3140XCP	E	3	140	.5	39	30	25	110	M8	12	8	38.5	27	52	82.2
K0164.3160XCQ	E	4	160	.625	43	33	30	128	M8	12	8	41.3	30.1	57	82.2
K0164.3160XCR	E	4	160	.75	43	33	30	128	M8	12	8	41.3	30.1	57	82.2

KIPP Disc Handwheels, with revolving taper grip, metric

Item No. Style D	Item No. Style E	Size	D	D1	D2	D3	D4	D5	D6	D7	H	H1	H2	L1	L2	L3	L4
K0164.0100X06	K0164.1100X10	1	100	-/10 H8	29	22	20	6/ -	79	M6	12/ -	9	8	29,5	19	39	54,7
K0164.0125X08	K0164.1125X12	2	125	-/12 H8	34	26	21	8/ -	101	M6	15/ -	9	8	34	24	46	54,7
K0164.0140X08	K0164.1140X14	3	140	-/14 H8	39	30	25	8/ -	110	M8	16/ -	12	8	38,5	27	52	82,2
K0164.0160X10	K0164.1160X16	4	160	-/16 H8	43	33	30	10/ -	128	M8	20/ -	12	8	41,3	30,1	57	82,2
-	K0164.1160X18	4	160	18 H8	43	33	30	-	128	M8	-	12	8	41,3	30,1	57	82,2

KIPP Disc Handwheels, with revolving taper grip, steel parts in stainless steel, metric

Item No. Style D	Item No. Style E	Size	D	D1	D2	D3	D4	D5	D6	D7	H	H1	H2	L1	L2	L3	L4
K0164.2100X06	K0164.3100X10	1	100	-/10 H7	29	22	20	6/ -	79	M6	12/ -	9	8	29,5	19	39	54,7
K0164.2125X08	K0164.3125X12	2	125	-/12 H7	34	26	21	8/ -	101	M6	15/ -	9	8	34	24	46	54,7
K0164.2140X08	K0164.3140X14	3	140	-/14 H7	39	30	25	8/ -	110	M8	16/ -	12	8	38,5	27	52	82,2
K0164.2160X10	K0164.3160X16	4	160	-/16 H7	43	33	30	10/ -	128	M8	20/ -	12	8	41,3	30,1	57	82,2
-	K0164.3160X18	4	160	18 H7	43	33	30	-	128	M8	-	12	8	41,3	30,1	57	82,2