



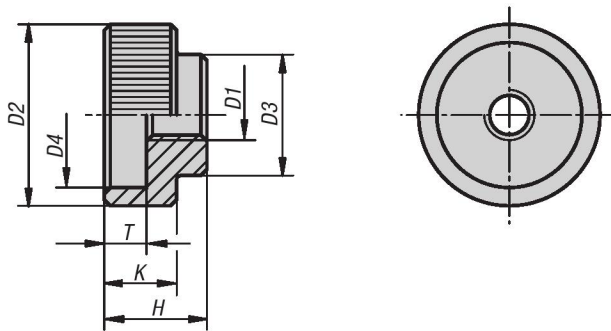
Knurled Nuts

in steel or stainless steel, DIN 6303

INCH Parts METRIC Parts



Style A
without pin hole



Material:

Free-cutting steel 1.0718.
Stainless steel 1.4305.

Type:

Free-cutting steel black oxide finish.
Stainless steel natural finish.

Part Number Example:

K0137.1A02

KIPP Knurled Nuts, in stainless steel, DIN 6303, inch

Item No.	Material	D1	D2	D3	D4	H	K	T
K0137.1A02	stainless steel	10-24	20	14	15	12	8	5
K0137.1A22	stainless steel	1/4-20	24	16	18	14	10	6
K0137.1A32	stainless steel	5/16-18	30	20	24	17	12	7
K0137.1A42	stainless steel	3/8-16	36	28	30	20	14	8
K0137.1A52	stainless steel	1/2-13	40	32	34	24	16	10

KIPP Knurled Nuts, in steel or stainless steel, DIN 6303, metric

Item No.	Material	D1	D2	D3	D4	H	K	T
K0137.105	steel	M5	20	14	15	12	8	5
K0137.106	steel	M6	24	16	18	14	10	6
K0137.108	steel	M8	30	20	24	17	12	7
K0137.110	steel	M10	36	28	30	20	14	8
K0137.112	steel	M12	40	32	34	24	16	10
K0137.1052	stainless steel	M5	20	14	15	12	8	5
K0137.1062	stainless steel	M6	24	16	18	14	10	6
K0137.1082	stainless steel	M8	30	20	24	17	12	7
K0137.1102	stainless steel	M10	36	28	30	20	14	8
K0137.1122	stainless steel	M12	40	32	34	24	16	10