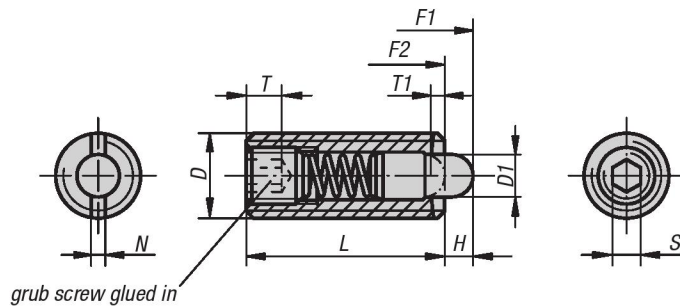




Spring Plungers

pin style, hexagon socket, steel pin

INCH
Parts



Material:

Body in steel quality class 5.8.
Pressure pin in steel.
Spring in spring steel class D.

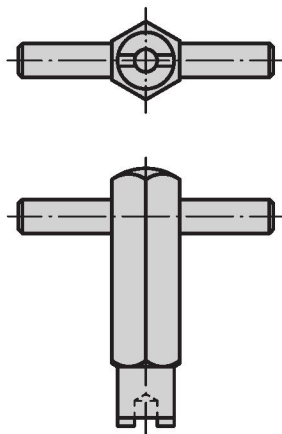
Type:

Black oxide finish.
Pressure pin hardened.

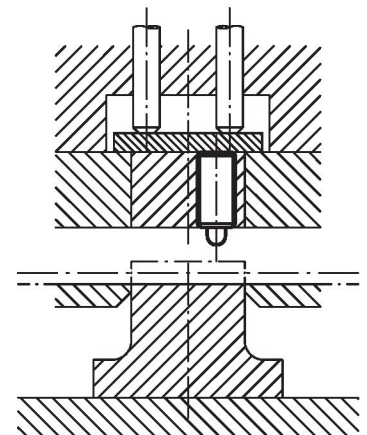
Part Number Example:

K0317.AD

Assembly Key



Application Diagram



KIPP Spring Plungers, pin style, hexagon socket, steel pin, standard end pressure, inch

Item No.	D	D1	L	H	T	T1	N	S	Spring force initial pressure F1 approx. N	Spring force final pressure F2 approx. N	Item No. Assembly key
K0317.AD	6-32	1	10	1.5	1.5	1	0.4	.035	0.5	3	K0317.903
K0317.AG	8-36	1.5	15	1.5	2	0.6	0.6	.050	5	16	K0317.904
K0317.AE	8-32	1.5	15	1.5	2	0.6	0.6	.050	5	16	K0317.904
K0317.A1	10-32	2.4	18	2.3	2	0.8	0.8	1/16	6	20	K0317.905
K0317.AJ	1/4-28	2.7	20	2.5	2.5	1	1	5/64	7	20	K0317.906
K0317.A2	1/4-20	2.7	20	2.5	2.5	1	1	5/64	7	20	K0317.906
K0317.A3	5/16-18	3.5	22	3	3	1.4	1.2	3/32	9	35	K0317.908
K0317.A4	3/8-16	4	22	3	3.5	1.4	1.6	1/8	9	35	K0317.910
K0317.A5	1/2-13	6	28	4	5	2	2	5/32	12	55	K0317.912
K0317.A6	5/8-11	7.5	32	5	6	2.5	2.5	3/16	45	100	K0317.916



Spring Plungers

pin style, hexagon socket, steel pin

KIPP Spring Plungers, pin style, hexagon socket, steel pin, light end pressure, inch

Item No.	D	D1	L	H	T	T1	N	S	Spring force initial pressure F1 approx. N	Spring force final pressure F2 approx. N	Item No. Assembly key
K0317.1AG	8-36	1.5	15	1.5	2	0.6	0.6	.050	2	7	K0317.904
K0317.1AE	8-32	1.5	15	1.5	2	0.6	0.6	.050	2	7	K0317.904
K0317.1A1	10-32	2.4	18	2.3	2	0.8	0.8	1/16	3	10	K0317.905
K0317.1AJ	1/4-28	2.7	20	2.5	2.5	1	1	5/64	3	9	K0317.906
K0317.1A2	1/4-20	2.7	20	2.5	2.5	1	1	5/64	3	9	K0317.906
K0317.1A3	5/16-18	3.5	22	3	3	1.4	1.2	3/32	4	16	K0317.908
K0317.1A4	3/8-16	4	22	3	3.5	1.4	1.6	1/8	4	16	K0317.910
K0317.1A5	1/2-13	6	28	4	5	2	2	5/32	5	27	K0317.912
K0317.1A6	5/8-11	7.5	32	5	6	2.5	2.5	3/16	20	45	K0317.916

KIPP Spring Plungers, pin style, hexagon socket, steel pin, heavy end pressure, inch

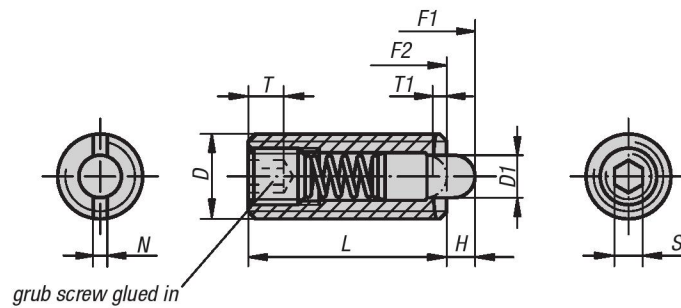
Item No.	D	D1	L	H	T	T1	N	S	Spring force initial pressure F1 approx. N	Spring force final pressure F2 approx. N	Item No. Assembly key
K0317.2A1	10-32	2.4	18	2.3	2	0.8	0.8	1/16	11	29	K0317.905
K0317.2AJ	1/4-28	2.7	20	2.5	2.5	1	1	5/64	14	37	K0317.906
K0317.2A2	1/4-20	2.7	20	2.5	2.5	1	1	5/64	14	37	K0317.906
K0317.2A3	5/16-18	3.5	22	3	3	1.4	1.2	3/32	22	65	K0317.908
K0317.2A4	3/8-16	4	22	3	3.5	1.4	1.6	1/8	19	70	K0317.910
K0317.2A5	1/2-13	6	28	4	5	2	2	5/32	25	85	K0317.912
K0317.2A6	5/8-11	7.5	32	5	6	2.5	2.5	3/16	60	150	K0317.916



Spring Plungers

pin style, hexagon socket, steel pin

METRIC
Parts



Material:

Body in steel quality class 5.8.
Pressure pin in steel.
Spring in spring steel class D.

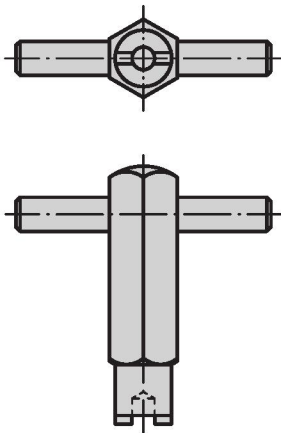
Type:

Black oxide finish.
Pressure pin hardened.

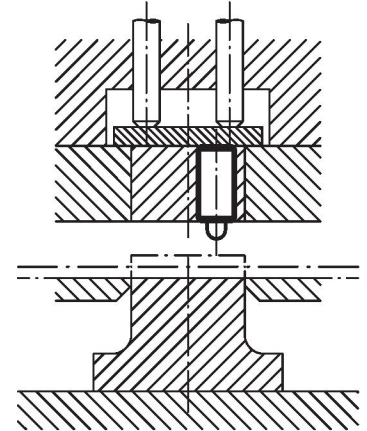
Part Number Example:

K0317.03

Assembly Key



Application Diagram



KIPP Spring Plungers, pin style, hexagon socket, steel pin, standard end pressure, metric

Item No.	D	D1	L	H	T	T1	N	S	Spring force initial pressure F1 approx. N	Spring force final pressure F2 approx. N	Item No. Assembly key
K0317.03	M3	1	10	1,5	1,5	1	0,4	0,7	0,5	3	K0317.903
K0317.04	M4	1,5	15	1,5	2	0,6	0,6	1,3	5	16	K0317.904
K0317.05	M5	2,4	18	2,3	2	0,8	0,8	1,5	6	20	K0317.905
K0317.06	M6	2,7	20	2,5	2,5	1	1	2	7	20	K0317.906
K0317.08	M8	3,5	22	3	3	1,4	1,2	2,5	9	35	K0317.908
K0317.10	M10	4	22	3	3,5	1,4	1,6	3	9	35	K0317.910
K0317.12	M12	6	28	4	5	2	2	4	12	55	K0317.912
K0317.16	M16	7,5	32	5	6	2,5	2,5	5	45	100	K0317.916
K0317.20	M20	10	40	7	8	3	2,5	6	60	120	-
K0317.24	M24	12	52	10	10	3	2,5	8	80	160	-



Spring Plungers

pin style, hexagon socket, steel pin

KIPP Spring Plungers, pin style, hexagon socket, steel pin, light end pressure, metric

Item No.	D	D1	L	H	T	T1	N	S	Spring force initial pressure F1 approx. N	Spring force final pressure F2 approx. N	Item No. Assembly key
K0317.104	M4	1,5	15	1,5	2	0,6	0,6	1,3	2	7	K0317.904
K0317.105	M5	2,4	18	2,3	2	0,8	0,8	1,5	3	10	K0317.905
K0317.106	M6	2,7	20	2,5	2,5	1	1	2	3	9	K0317.906
K0317.108	M8	3,5	22	3	3	1,4	1,2	2,5	4	16	K0317.908
K0317.110	M10	4	22	3	3,5	1,4	1,6	3	4	16	K0317.910
K0317.112	M12	6	28	4	5	2	2	4	5	27	K0317.912
K0317.116	M16	7,5	32	5	6	2,5	2,5	5	20	45	K0317.916

KIPP Spring Plungers, pin style, hexagon socket, steel pin, heavy end pressure, metric

Item No.	D	D1	L	H	T	T1	N	S	Spring force initial pressure F1 approx. N	Spring force final pressure F2 approx. N	Item No. Assembly key
K0317.205	M5	2,4	18	2,3	2	0,8	0,8	1,5	11	29	K0317.905
K0317.206	M6	2,7	20	2,5	2,5	1	1	2	14	37	K0317.906
K0317.208	M8	3,5	22	3	3	1,4	1,2	2,5	22	65	K0317.908
K0317.210	M10	4	22	3	3,5	1,4	1,6	3	19	70	K0317.910
K0317.212	M12	6	28	4	5	2	2	4	25	85	K0317.912
K0317.216	M16	7,5	32	5	6	2,5	2,5	5	60	150	K0317.916
K0317.220	M20	10	40	7	8	3	2,5	6	75	190	-
K0317.224	M24	12	52	10	10	3	2,5	8	95	240	-