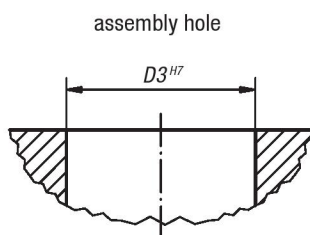
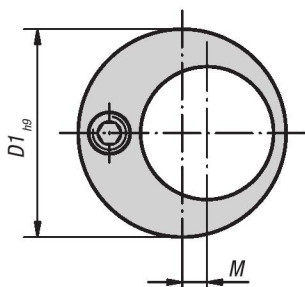
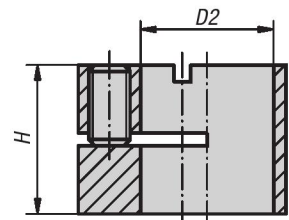




Eccentric Bushings and assembly tools

for lateral spring plungers

INCH Parts

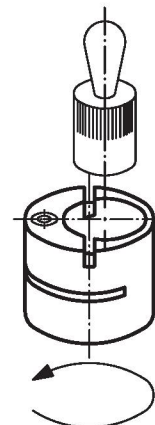
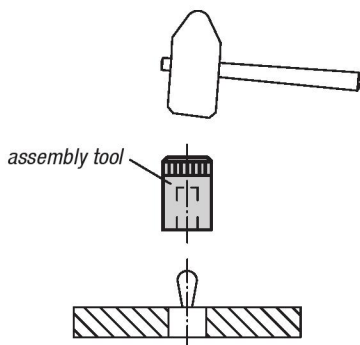


Material:
Steel.

Type:
Black oxide finish.

Part Number Example:
K0369.03CM

Note:
Eccentric Bushings enable Lateral Spring Plungers to be positioned exactly to the workpiece.



KIPP Assembly tools, inch

Item No.	Suitable for Lateral Spring Plungers with D =
K0369.03CM	1/4
K0369.05CU	7/16
K0369.08CP	1/2
K0369.10CQ	5/8

KIPP Eccentric Bushings for lateral spring plungers, inch

Item No.	D1	D2	D3	H	M	Suitable for Lateral Spring Plungers with D =
K0369.120CM	1/2	1/4	1/2	9.9	2	1/4
K0369.160CU	11/16	7/16	11/16	11.9	2	7/16
K0369.180CP	3/4	1/2	3/4	13.9	2	1/2
K0369.250CQ	1	5/8	1	17.9	3	5/8