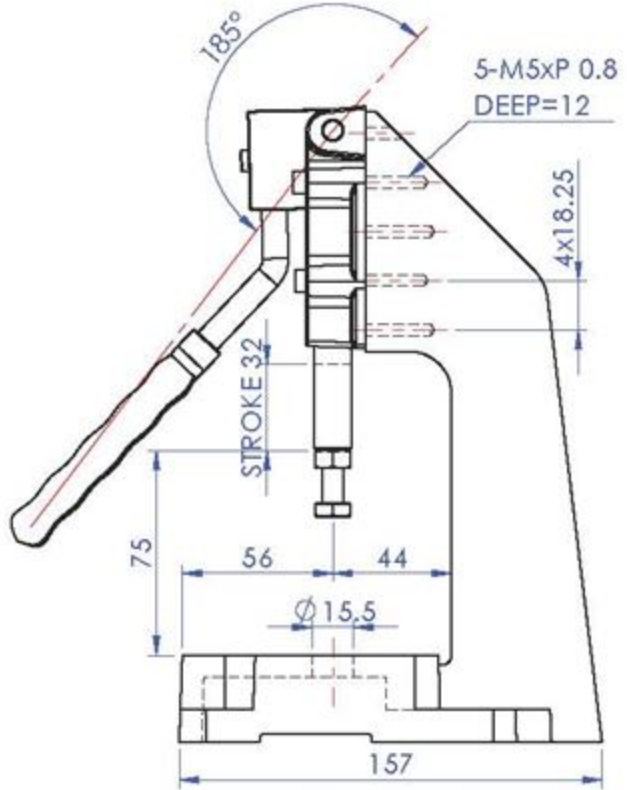
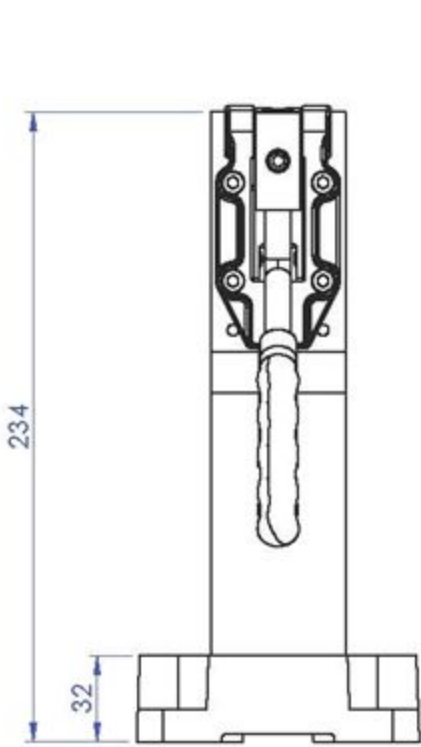
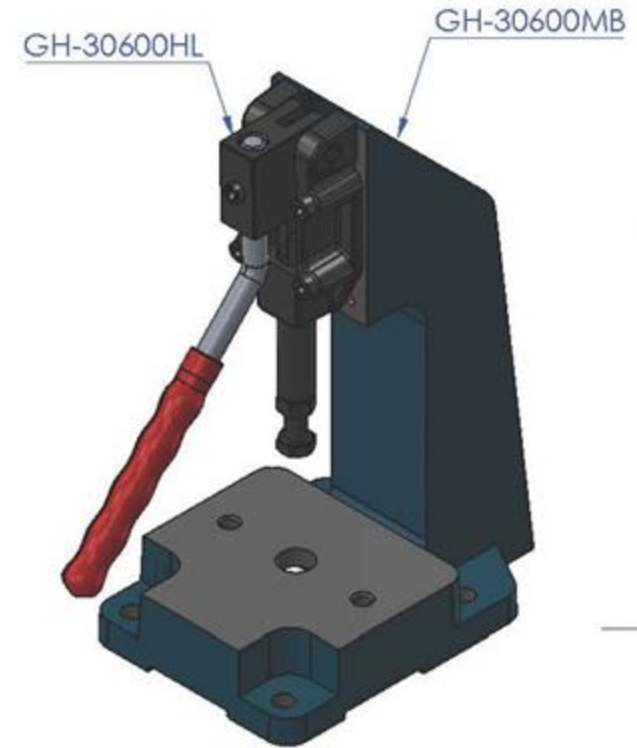
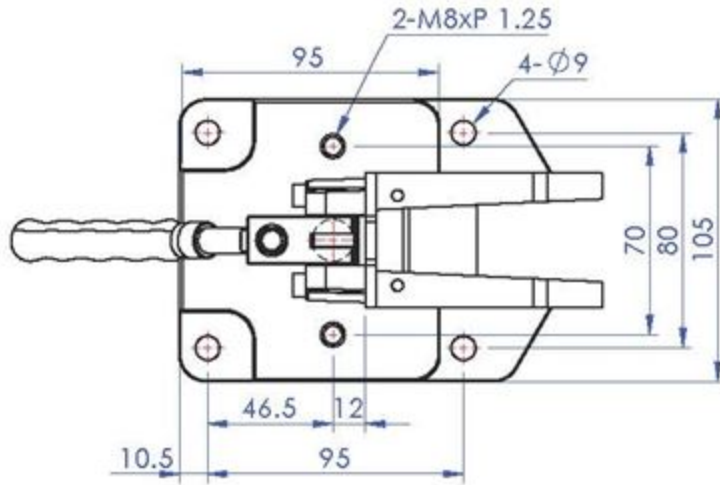


Part No:	GH-30600PR
Holding Capacity:	600Kg
Plunger Stroke:	32 mm
Handle Opens:	185°
Weight:	3.627Kg
Spindle Supplied:	SA-086512

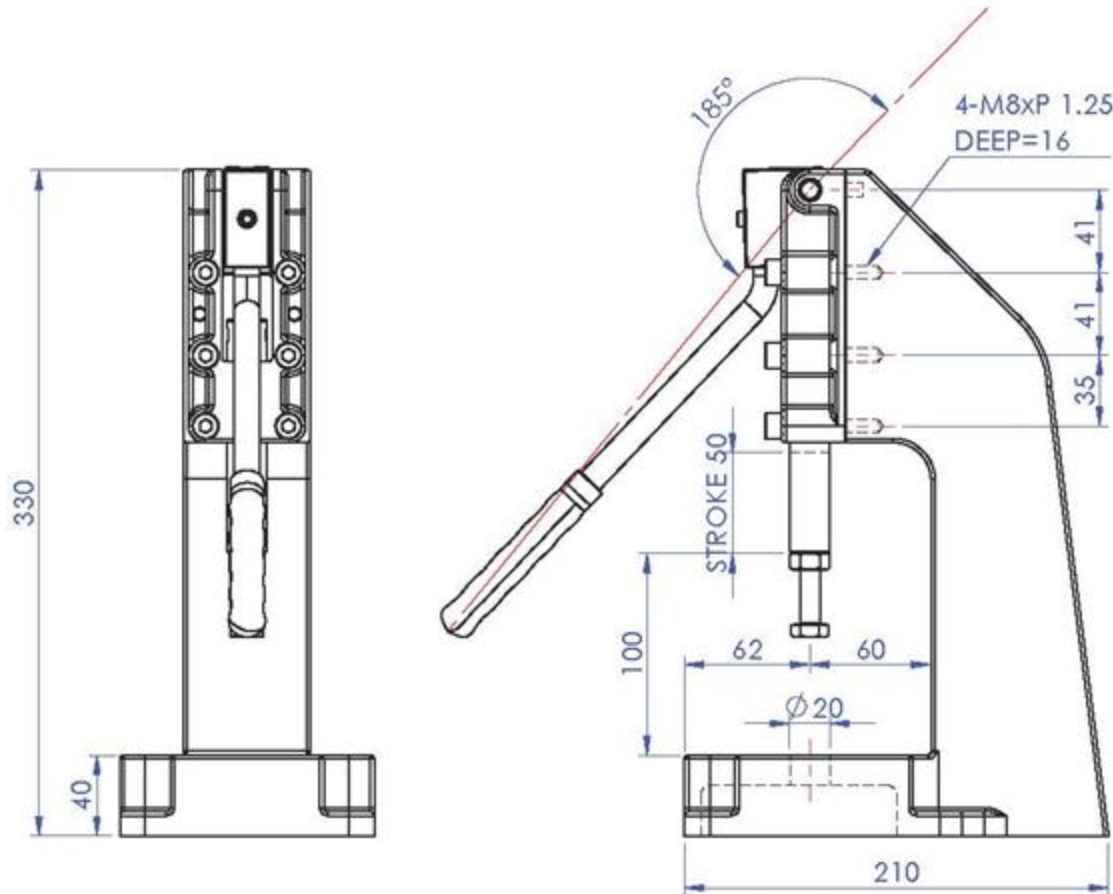
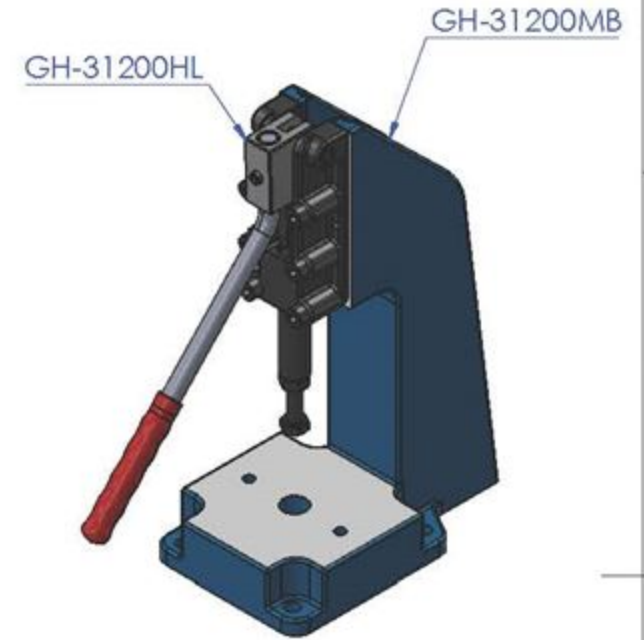
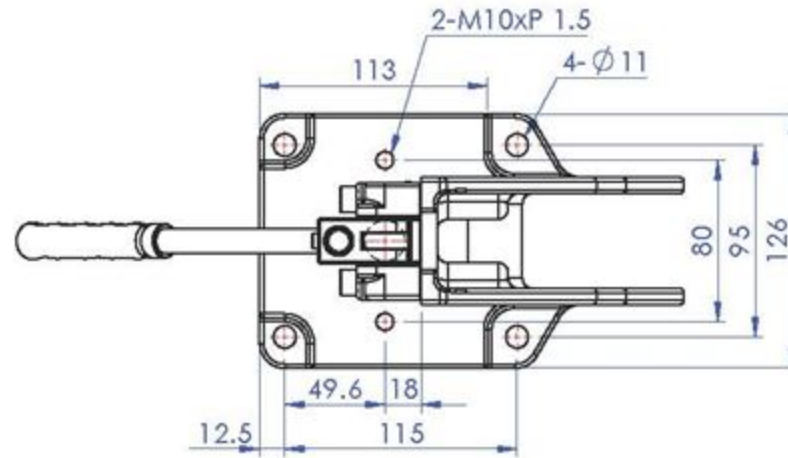


Unit:mm
Scale: 1:3

Good Hand UK Ltd

TITLE:		
DWG NO.	GH-30600-HLP	A4

Part No:	GH-31200PR
Holding Capacity:	1200Kg
Plunger Stroke:	50 mm
Handle Opens:	185°
Weight:	8.55Kg
Spindle Supplied:	SA-107515



Unit:mm
Scale: 1:4

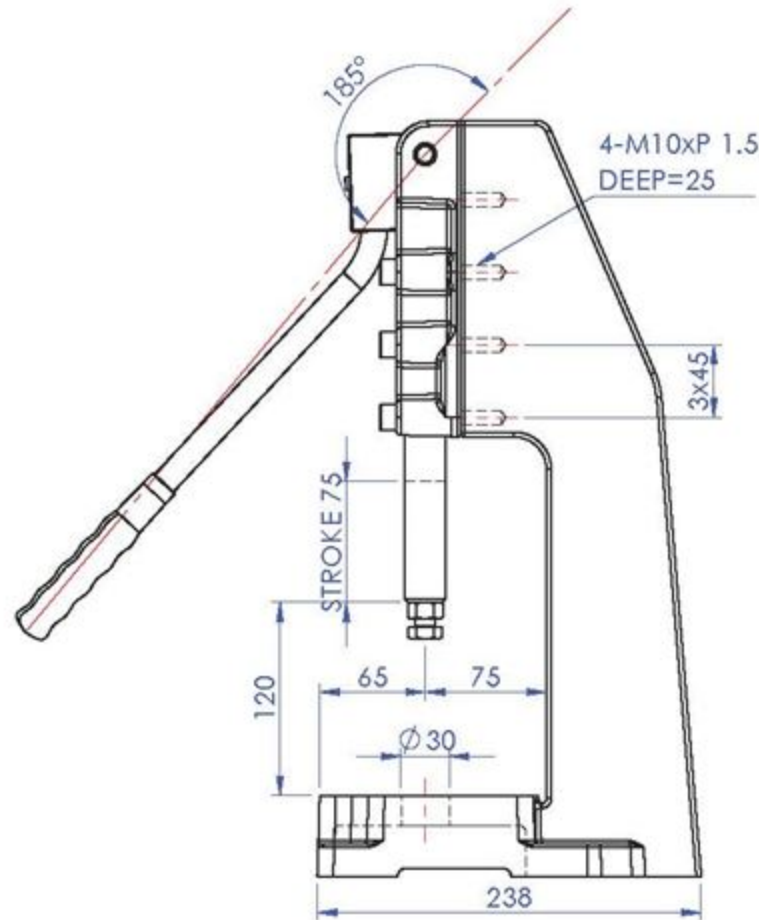
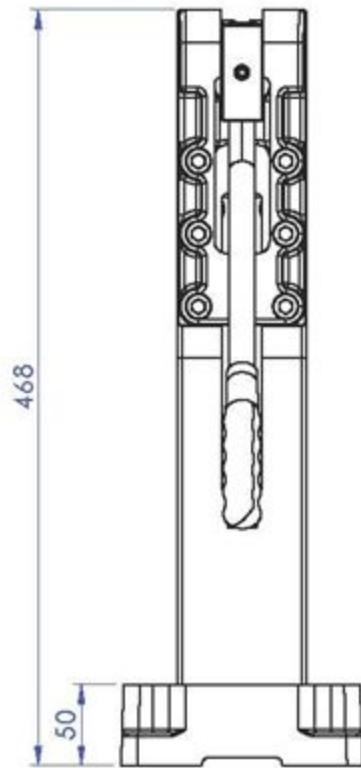
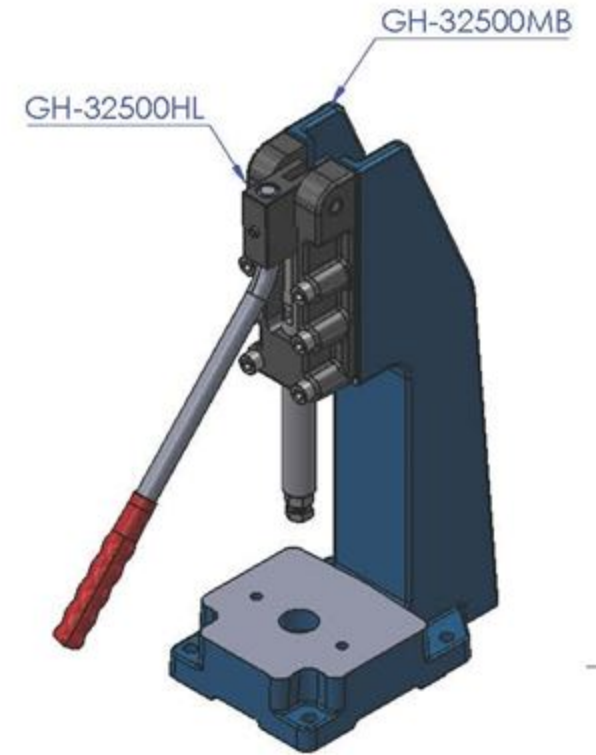
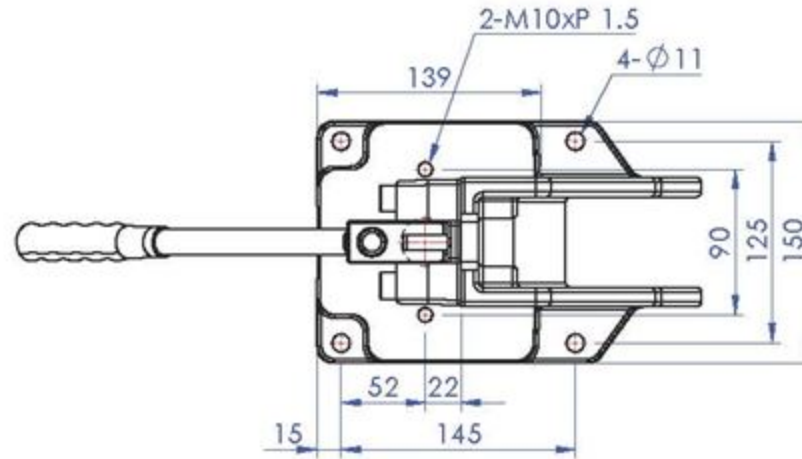
Good Hand UK Ltd

TITLE:

DWG NO. GH-31200PR

A4

Part No:	GH-32500PR
Holding Capacity:	2500Kg
Plunger Stroke:	75 mm
Handle Opens:	185°
Weight:	17.25Kg
Spindle Supplied:	SA-127517



Unit:mm
Scale: 1:5

Good Hand UK Ltd

TITLE:

DWG NO. GH-32500PR

A4