



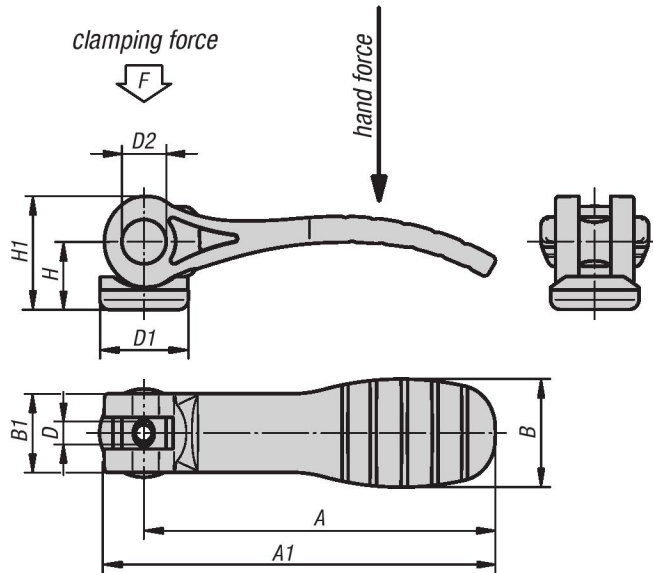
Cam Levers with plastic handle

with internal and external thread, steel or stainless steel

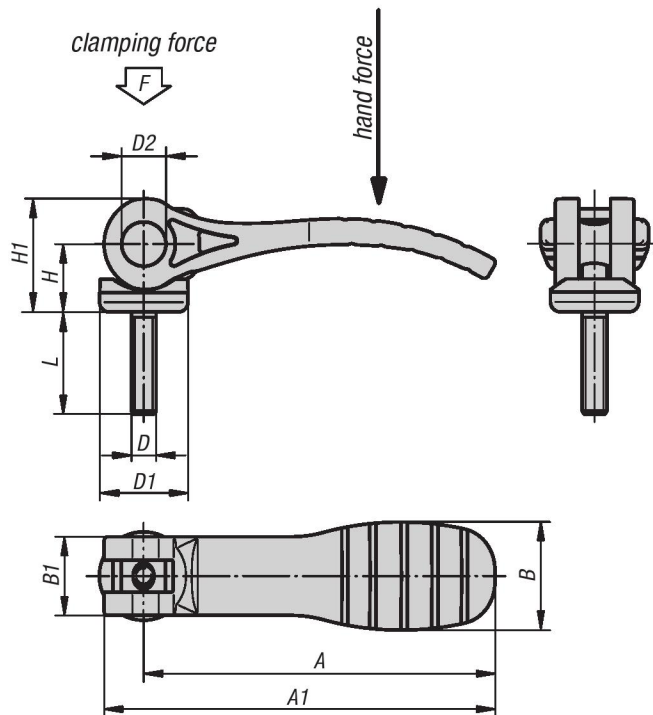
INCH Parts METRIC Parts



Cam Lever with internal thread



Cam Lever with external thread



Material:

Handles and thrust washer plastic PA 66 fibreglass reinforced.
Hinge pins stainless steel 1.4305.
Studs and washer steel quality class 5.8 or stainless steel 1.4305.

Type:

Handle and thrust washer black;
hinge pin natural finish;
threaded stud and washer in steel blue chromate or stainless steel natural finish

Part Number Example:

K0646.15211A1X20
(include length L)

Note:

Plastics are subject to creeping under load (retardation), this can cause reduced clamping force.



Cam Levers with plastic handle

with internal and external thread, steel or stainless steel

KIPP Cam Levers with plastic handle and internal thread, inch

Item No. steel	Item No. stainless steel	D	D1	D2	B	B1	H	H1	A	A1	Stroke	Clamping force F (kN)	Hand force N
K0646.15211A1	K0646.15311A1	10-32	18.1	9	22	16	14	23.4	71.5	79.6	1.15	2.5	125
K0646.15211A2	K0646.15311A2	1/4-20	18.1	9	22	16	14	23.4	71.5	79.6	1.15	2.5	125
K0646.25211A3	K0646.25311A3	5/16-18	27.1	11	33	24.2	16.2	27.7	100	110	1.5	5	170

KIPP Cam Levers with plastic handle and external thread, inch

Item No. steel	Item No. stainless steel	D	D1	D2	B	B1	H	H1	A	A1	Stroke	L	Clamping force F (kN)	Hand force N
K0646.15211A1X	K0646.15311A1X	10-32	18.1	9	22	16	14	23.4	71.5	79.6	1.15	20/30/40/50	2.5	125
K0646.15211A2X	K0646.15311A2X	1/4-20	18.1	9	22	16	14	23.4	71.5	79.6	1.15	20/30/40/50	2.5	125
K0646.25211A3X	K0646.25311A3X	5/16-18	27.1	11	33	24.2	16.2	27.7	100	110	1.5	25/30/40/50	5	170
K0646.25211A4X	K0646.25311A4X	3/8-16	27.1	11	33	24.2	16.2	27.7	100	110	1.5	25/30/40/50	5	170

KIPP Cam Levers with plastic handle and internal thread, metric

Item No. steel	Item No. stainless steel	D	D1	D2	B	B1	H	H1	A	A1	Stroke	Clamping force F (kN)	Hand force N
K0646.1521105	K0646.1531105	M5	18,1	9	22	16	14	23,4	71,5	79,6	1,15	2,5	125
K0646.1521106	K0646.1531106	M6	18,1	9	22	16	14	23,4	71,5	79,6	1,15	2,5	125
K0646.2521108	K0646.2531108	M8	27,1	11	33	24,2	16,2	27,7	100	110	1,5	5	170

KIPP Cam Levers with plastic handle and external thread, metric

Item No. steel	Item No. stainless steel	D	D1	D2	B	B1	H	H1	A	A1	Stroke	L	Clamping force F (kN)	Hand force N
K0646.1521105X	K0646.1531105X	M5	18,1	9	22	16	14	23,4	71,5	79,6	1,15	20/30/40/50	2,5	125
K0646.1521106X	K0646.1531106X	M6	18,1	9	22	16	14	23,4	71,5	79,6	1,15	20/30/40/50	2,5	125
K0646.2521108X	K0646.2531108X	M8	27,1	11	33	24,2	16,2	27,7	100	110	1,5	25/30/40/50	5	170
K0646.2521110X	K0646.2531110X	M10	27,1	11	33	24,2	16,2	27,7	100	110	1,5	25/30/40/50	5	170