



Spring Plungers

pin style, hexagon socket, plastic pin

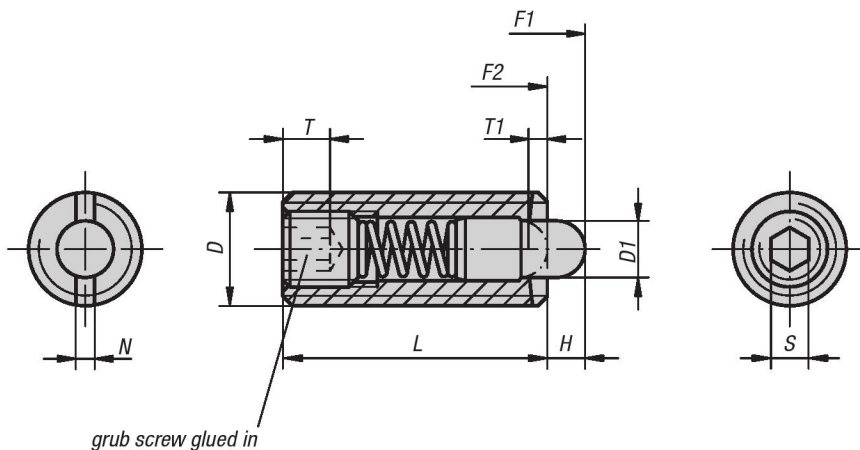
INCH Parts METRIC Parts



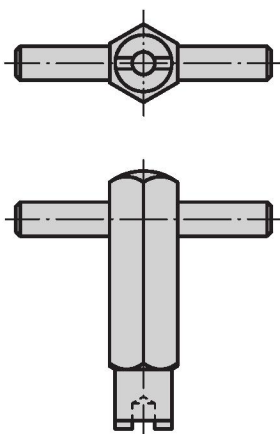
Material:
 Body steel quality class 5.8.
 Pressure pin POM.
 Spring spring steel class D.

Type:
 Black oxide finish.

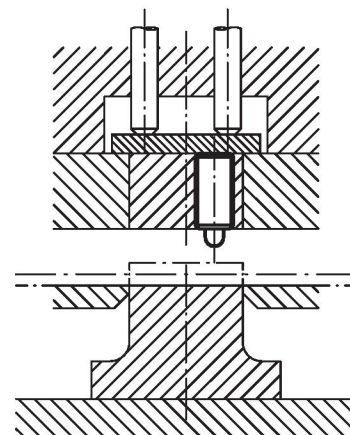
Part Number Example:
 K0318.AD



Assembly Key



Application Diagram



KIPP Spring Plungers, pin style, hexagon socket, plastic pin, standard end pressure, inch

Item No.	D	D1	L	H	T	T1	N	S	Spring force initial pressure F1 approx. N	Spring force final pressure F2 approx. N	Item No. Assembly key
K0318.AD	6-32	1	10	1.5	1.5	1	0.4	.035	.5	3	K0317.903
K0318.AG	8-36	1.5	15	1.5	2	0.6	0.6	.050	5	16	K0317.904
K0318.AE	8-32	1.5	15	1.5	2	0.6	0.6	.050	5	16	K0317.904
K0318.A1	10-32	2.4	18	2.3	2	0.8	0.8	1/16	6	20	K0317.905
K0318.AJ	1/4-28	2.7	20	2.5	2.5	1	1	5/64	7	20	K0317.906
K0318.A2	1/4-20	2.7	20	2.5	2.5	1	1	5/64	7	20	K0317.906
K0318.A3	5/16-18	3.5	22	3	3	1.4	1.2	3/32	9	35	K0317.908
K0318.A4	3/8-16	4	22	3	3.5	1.4	1.6	1/8	9	35	K0317.910
K0318.A5	1/2-13	6	28	4	5	2	2	5/32	12	55	K0317.912
K0318.A6	5/8-11	7.5	32	5	6	2.5	2.5	3/16	45	100	K0317.916



Spring Plungers

pin style, hexagon socket, plastic pin

KIPP Spring Plungers, pin style, hexagon socket, plastic pin, light end pressure, inch

Item No.	D	D1	L	H	T	T1	N	S	Spring force initial pressure F1 approx. N	Spring force final pressure F2 approx. N	Item No. Assembly key
K0318.1AG	8-36	1.5	15	1.5	2	0.6	0.6	.050	2	7	K0317.904
K0318.1AE	8-32	1.5	15	1.5	2	0.6	0.6	.050	2	7	K0317.904
K0318.1A1	10-32	2.4	18	2.3	2	0.8	0.8	1/16	3	10	K0317.905
K0318.1AJ	1/4-28	2.7	20	2.5	2.5	1	1	5/64	3	9	K0317.906
K0318.1A2	1/4-20	2.7	20	2.5	2.5	1	1	5/64	3	9	K0317.906
K0318.1A3	5/16-18	3.5	22	3	3	1.4	1.2	3/32	4	16	K0317.908
K0318.1A4	3/8-16	4	22	3	3.5	1.4	1.6	1/8	4	16	K0317.910
K0318.1A5	1/2-13	6	28	4	5	2	2	5/32	5	27	K0317.912
K0318.1A6	5/8-11	7,5	32	5	6	2.5	2.5	3/16	20	45	K0317.916

KIPP Spring Plungers, pin style, hexagon socket, plastic pin, standard end pressure, metric

Item No.	D	D1	L	H	T	T1	N	S	Spring force initial pressure F1 approx. N	Spring force final pressure F2 approx. N	Item No. Assembly key
K0318.03	M3	1	10	1,5	1,5	1	0,4	0,7	0,5	3	K0317.903
K0318.04	M4	1,5	15	1,5	2	0,6	0,6	1,3	5	16	K0317.904
K0318.05	M5	2,4	18	2,3	2	0,8	0,8	1,5	6	20	K0317.905
K0318.06	M6	2,7	20	2,5	2,5	1	1	2	7	20	K0317.906
K0318.08	M8	3,5	22	3	3	1,4	1,2	2,5	9	35	K0317.908
K0318.10	M10	4	22	3	3,5	1,4	1,6	3	9	35	K0317.910
K0318.12	M12	6	28	4	5	2	2	4	12	55	K0317.912
K0318.16	M16	7,5	32	5	6	2,5	2,5	5	45	100	K0317.916

KIPP Spring Plungers, pin style, hexagon socket, plastic pin, light end pressure, metric

Item No.	D	D1	L	H	T	T1	N	S	Spring force initial pressure F1 approx. N	Spring force final pressure F2 approx. N	Item No. Assembly key
K0318.104	M4	1,5	15	1,5	2	0,6	0,6	1,3	2	7	K0317.904
K0318.105	M5	2,4	18	2,3	2	0,8	0,8	1,5	3	10	K0317.905
K0318.106	M6	2,7	20	2,5	2,5	1	1	2	3	9	K0317.906
K0318.108	M8	3,5	22	3	3	1,4	1,2	2,5	4	16	K0317.908
K0318.110	M10	4	22	3	3,5	1,4	1,6	3	4	16	K0317.910
K0318.112	M12	6	28	4	5	2	2	4	5	27	K0317.912
K0318.116	M16	7,5	32	5	6	2,5	2,5	5	20	45	K0317.916