

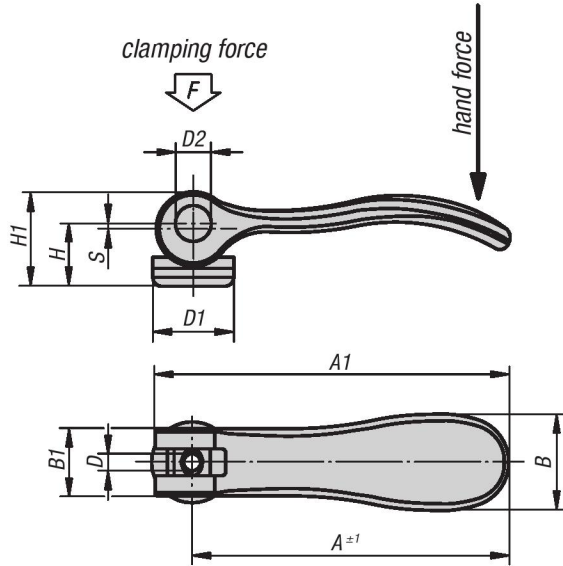
# Cam Levers

with internal and external thread

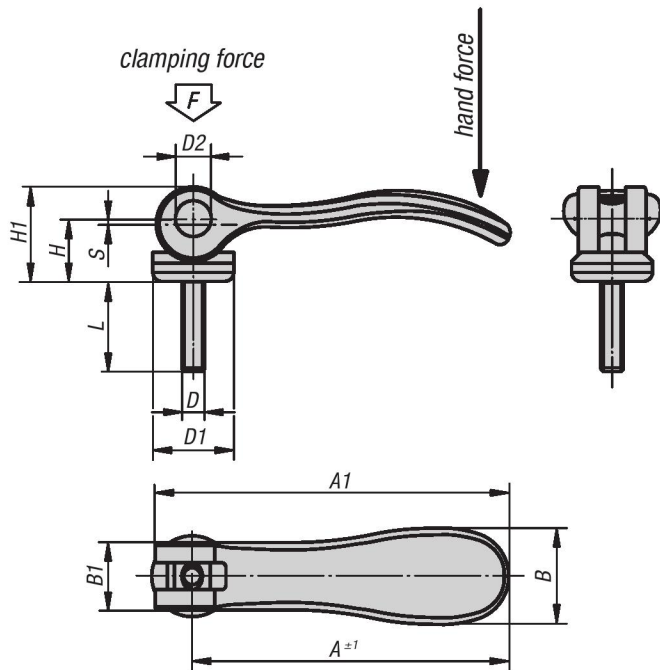
INCH Parts METRIC Parts



Cam Lever with internal thread



Cam Lever with external thread



**Material:**

Handles cast aluminum EN AC-46200.  
 Thrust washer plastic PA 66 GF 35-X fibreglass reinforced.  
 Hinge pin stainless steel 1.4305.  
 Studs and washer steel quality class 5.8 or stainless steel 1.4305.

**Type:**

Handle black powder-coated;  
 thrust washer black;  
 hinge pin natural finish;  
 threaded stud and washer in steel blue chromate or stainless steel natural finish

**Part Number Example:**

K0005.95011ADX10  
 (include length L)

**Note:**

Plastic materials are subject to creep under compression (Retardation).



# Cam Levers

with internal and external thread

## KIPP Cam Levers, internal thread, inch

Item No. steel	Item No. stainless steel	D	D1	D2	B	B1	H	H1	A	A1	Stroke S	Clamping force F (kN)	Hand force N
K0005.95011AD	K0005.95111AD	6-32	12	6	14.4	11.5	9	13	36.2	41.7	1	1.5	90
K0005.95011AE	K0005.95111AE	8-32	12	6	14.4	11.5	9	13	36.2	41.7	1	1.5	90
K0005.05011AE	K0005.05111AE	8-32	15.4	8	18	13	11.2	17	52.3	59.1	1	2.5	100
K0005.05011A0	K0005.05111A0	10-24	15.4	8	18	13	11.2	17	52.3	59.1	1	2.5	100
K0005.05011A1	K0005.05111A1	10-32	15.4	8	18	13	11.2	17	52.3	59.1	1	2.5	100
K0005.15011A1	K0005.15111A1	10-32	18.1	9	21.5	15	14.5	22	70.4	79.2	1.2	4	120
K0005.15011A2	K0005.15111A2	1/4-20	18.1	9	21.5	15	14.5	22	70.4	79.2	1.2	4	120
K0005.25011A3	K0005.25111A3	5/16-18	27.1	11	33.3	24	18	28.5	96	108	1.5	8	350

## KIPP Cam Levers, external thread, inch

Item No. Stahl	Item No. Edelstahl	D	D1	D2	B	B1	H	H1	A	A1	Stroke S	L	Clamping force F (kN)	Hand force N
K0005.95011ADX	K0005.95111ADX	6-32	12	6	14.4	11.5	9	13	36.2	41.7	1	10/15/30	1.5	90
K0005.95011AEX	K0005.95111AEX	8-32	12	6	14.4	11.5	9	13	36.2	41.7	1	10/15/30	1.5	90
K0005.05011AEX	K0005.05111AEX	8-32	15.4	8	18	13	11.2	17	52.3	59.1	1	15/20/30	2.5	100
K0005.05011A0X	K0005.05111A0X	10-24	15.4	8	18	13	11.2	17	52.3	59.1	1	20/30/40/50	2.5	100
K0005.05011A1X	K0005.05111A1X	10-32	15.4	8	18	13	11.2	17	52.3	59.1	1	20/30/40/50	2.5	100
K0005.15011A1X	K0005.15111A1X	10-32	18.1	9	21.5	15	14.5	22	70.4	79.2	1.2	20/30/40/50	4	120
K0005.15011A2X	K0005.15111A2X	1/4-20	18.1	9	21.5	15	14.5	22	70.4	79.2	1.2	20/30/40/50	4	120
K0005.25011A3X	K0005.25111A3X	5/16-18	27.1	11	33.3	24	18	28.5	96	108	1.5	25/30/40/50	8	350
K0005.25011A4X	K0005.25111A4X	3/8-16	27.1	11	33.3	24	18	28.5	96	108	1.5	25/30/40/50	8	350

## KIPP Cam Levers, internal thread, metric

Item No. steel	Item No. stainless steel	D	D1	D2	B	B1	H	H1	A	A1	Stroke S	Clamping force F (kN)	Hand force N
K0005.9501103	K0005.9511103	M3	12	6	14,4	11,5	9	13	36,2	41,7	1	1,5	90
K0005.9501104	K0005.9511104	M4	12	6	14,4	11,5	9	13	36,2	41,7	1	1,5	90
K0005.0501104	K0005.0511104	M4	15,4	8	18	13	11,2	17	52,3	59,1	1	2,5	100
K0005.0501105	K0005.0511105	M5	15,4	8	18	13	11,2	17	52,3	59,1	1	2,5	100
K0005.1501105	K0005.1511105	M5	18,1	9	21,5	15	14,5	22	70,4	79,2	1,2	4	120
K0005.1501106	K0005.1511106	M6	18,1	9	21,5	15	14,5	22	70,4	79,2	1,2	4	120
K0005.2501108	K0005.2511108	M8	27,1	11	33,3	24	18	28,5	96	108	1,5	8	350

## KIPP Cam Levers, external thread, metric

Item No. steel	Item No. stainless steel	D	D1	D2	B	B1	H	H1	A	A1	Stroke S	L	Clamping force F (kN)	Hand force N
K0005.9501103X	K0005.9511103X	M3	12	6	14,4	11,5	9	13	36,2	41,7	1	10/15/30	1,5	90
K0005.9501104X	K0005.9511104X	M4	12	6	14,4	11,5	9	13	36,2	41,7	1	10/15/30	1,5	90
K0005.0501104X	K0005.0511104X	M4	15,4	8	18	13	11,2	17	52,3	59,1	1	15/20/30	2,5	100
K0005.0501105X	K0005.0511105X	M5	15,4	8	18	13	11,2	17	52,3	59,1	1	20/30/40/50	2,5	100
K0005.1501105X	K0005.1511105X	M5	18,1	9	21,5	15	14,5	22	70,4	79,2	1,2	20/30/40/50	4	120
K0005.1501106X	K0005.1511106X	M6	18,1	9	21,5	15	14,5	22	70,4	79,2	1,2	20/30/40/50	4	120
K0005.2501108X	K0005.2511108X	M8	27,1	11	33,3	24	18	28,5	96	108	1,5	25/30/40/50	8	350
K0005.2501110X	K0005.2511110X	M10	27,1	11	33,3	24	18	28,5	96	108	1,5	25/30/40/50	8	350