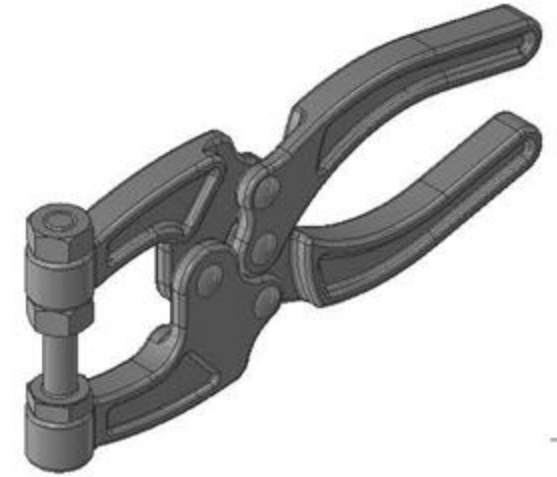
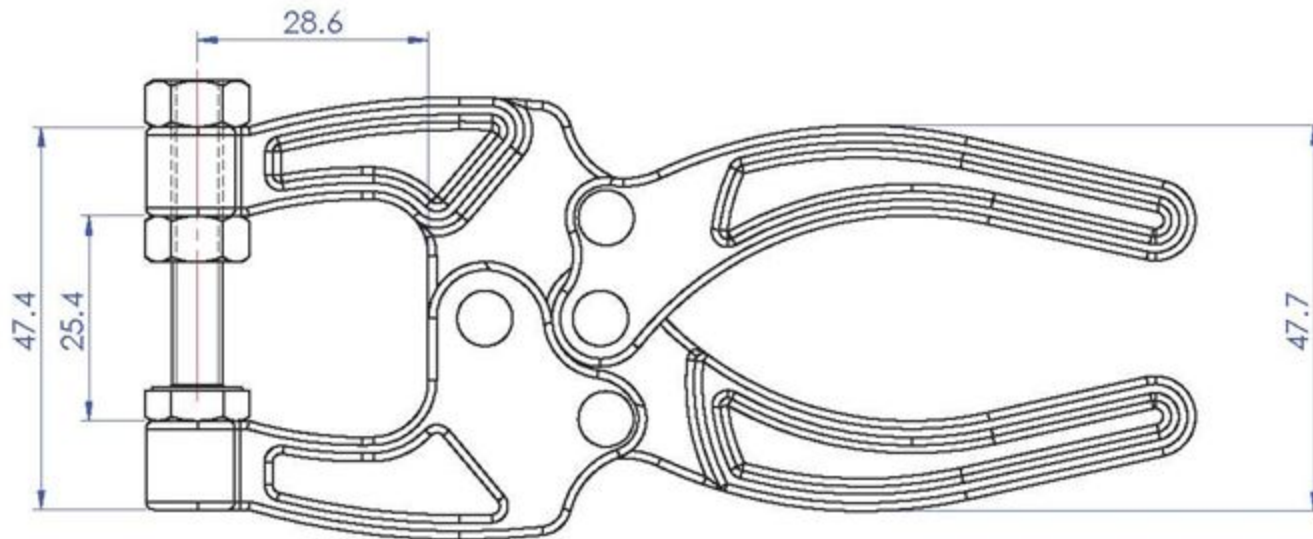
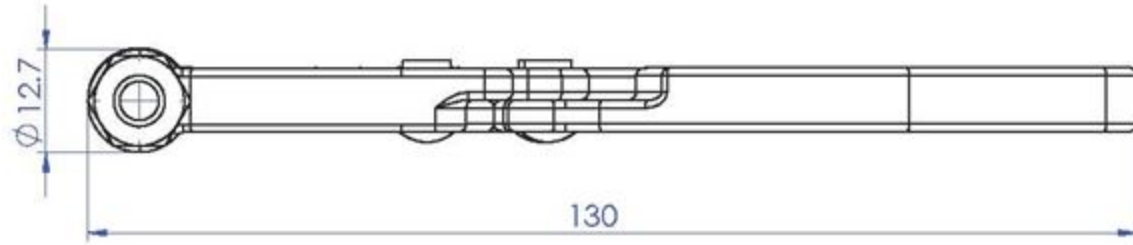


Part No:	GH-50350
Holding Capacity:	90Kg
Weight:	0.185Kg
Spindle Supplied:	SA-14112



Unit:mm

Scale: 1:1

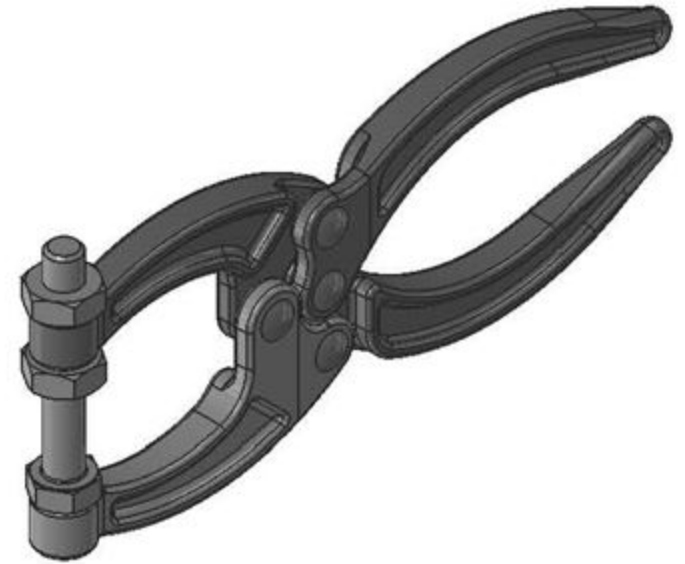
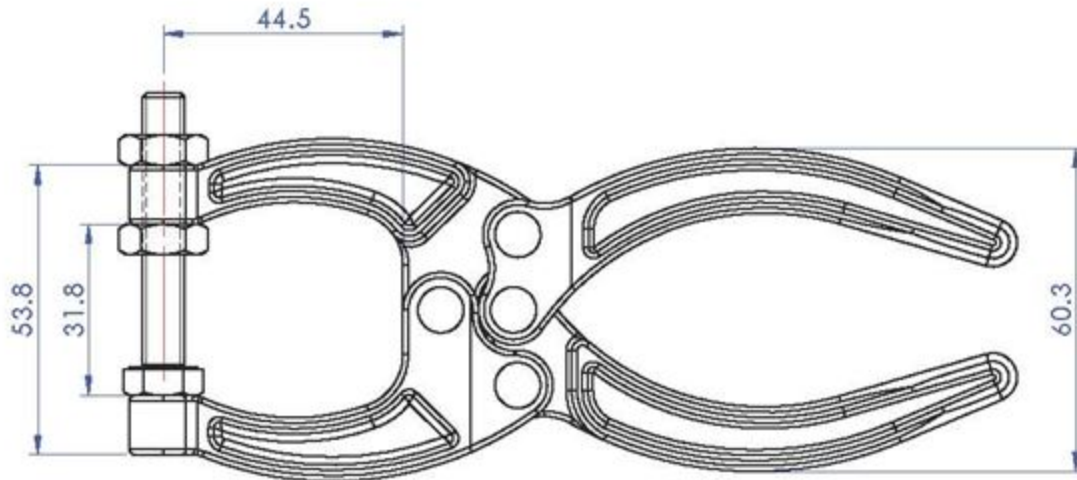
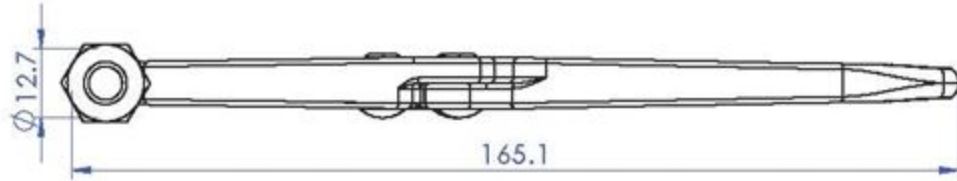
**Good Hand UK Ltd**

TITLE:

DWG NO. GH-50350

A4

Part No:	GH-50360
Holding Capacity:	159Kg
Weight:	0.29Kg
Spindle Supplied:	SA-56200



Unit:mm

Scale: 1:1.5

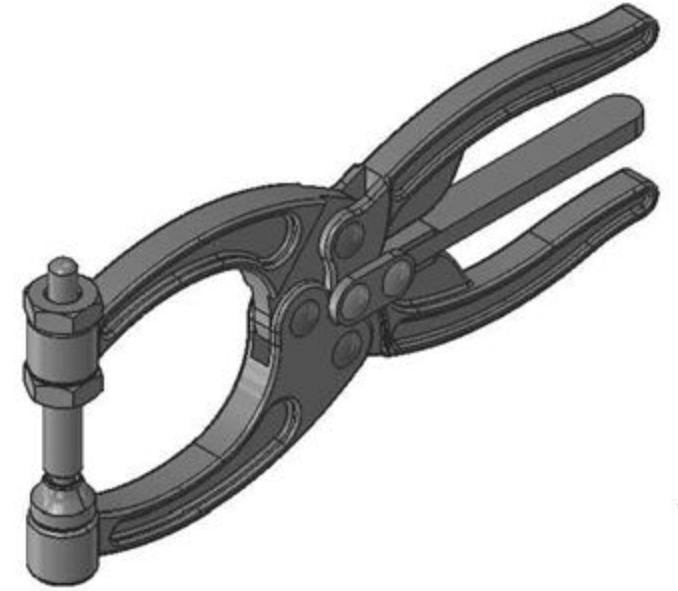
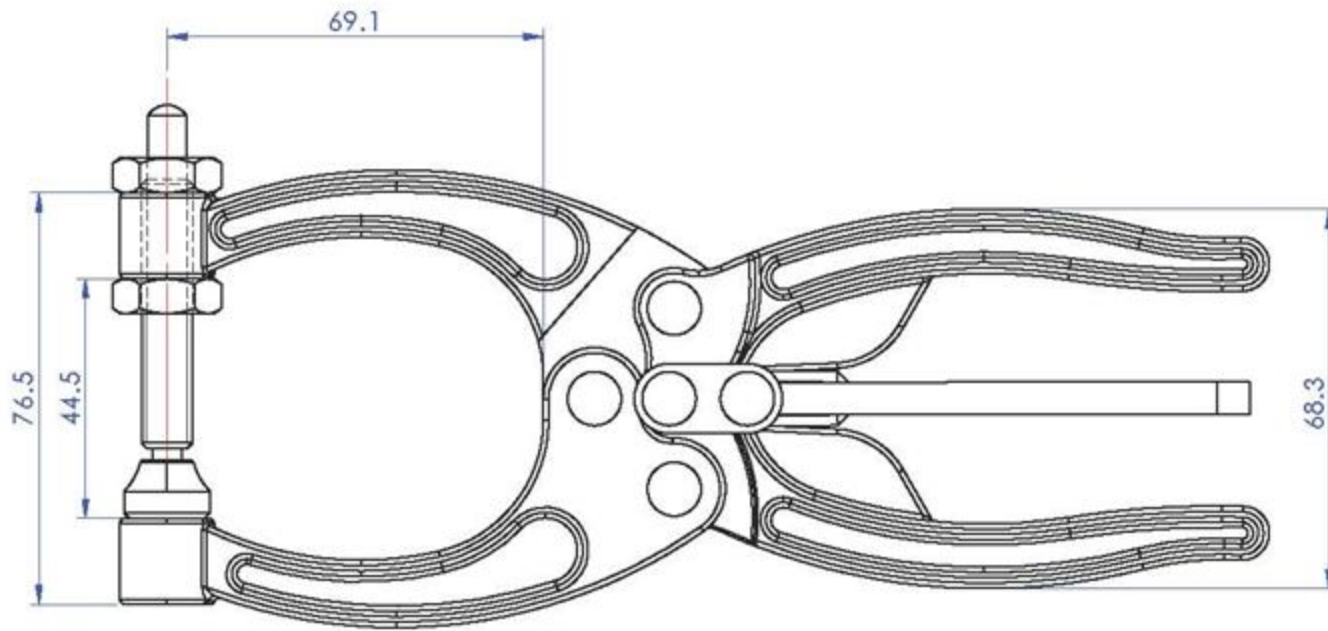
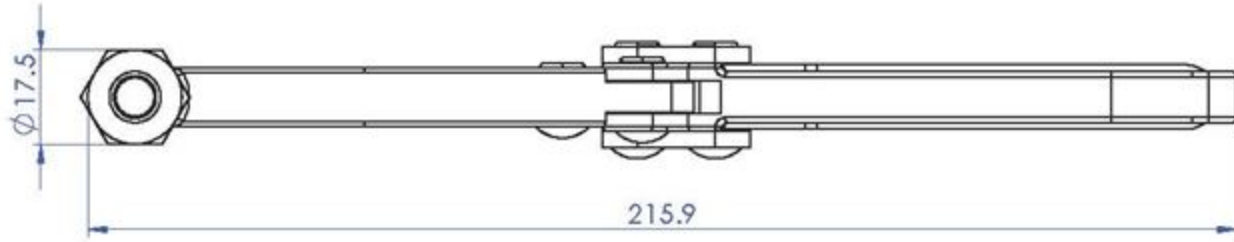
**Good Hand UK Ltd**

TITLE:

DWG NO. GH-50360

A4

Part No:	GH-50380
Holding Capacity:	318Kg
Weight:	0.634Kg
Spindle Supplied:	SF-38300



Unit:mm

Scale: 1:1.5

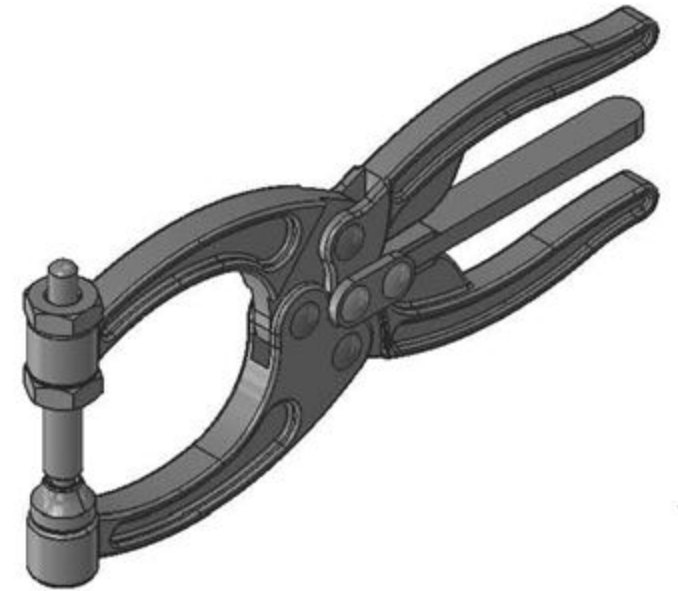
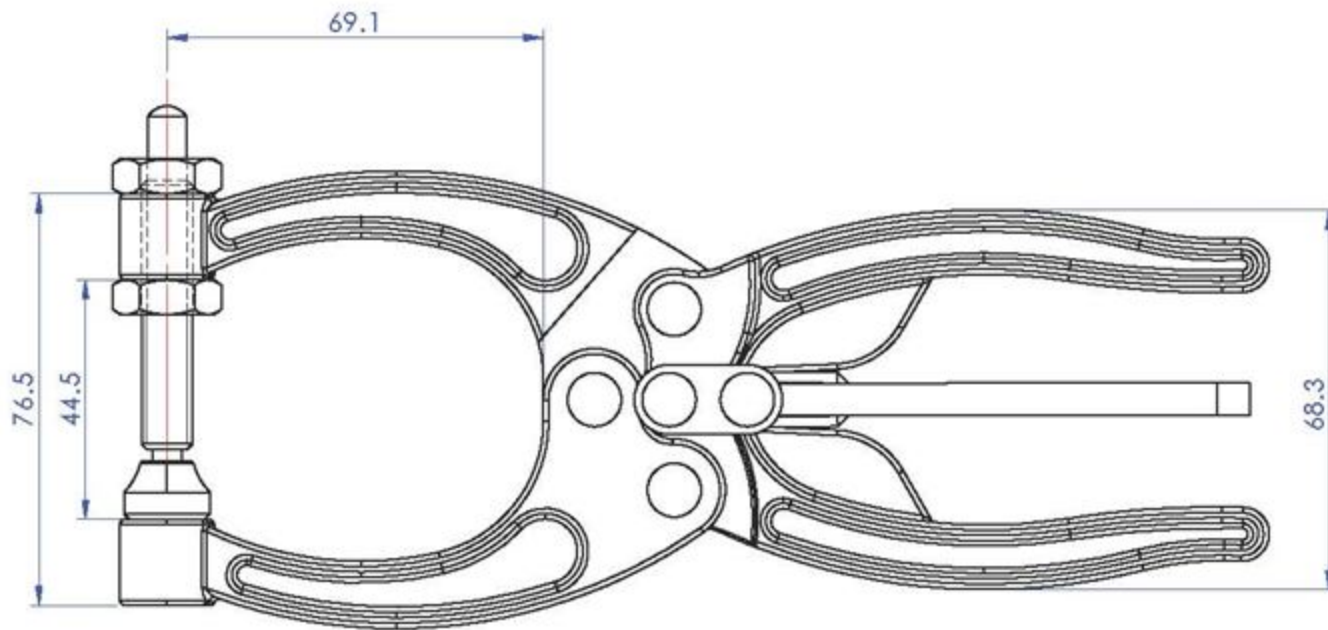
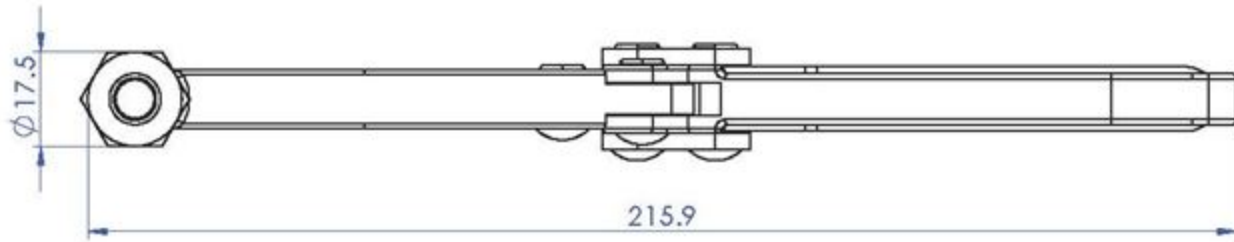
**Good Hand UK Ltd**

TITLE:

DWG NO. GH-50380

A4

Part No:	GH-50380
Holding Capacity:	318Kg
Weight:	0.634Kg
Spindle Supplied:	SF-38300



Unit:mm

Scale: 1:1.5

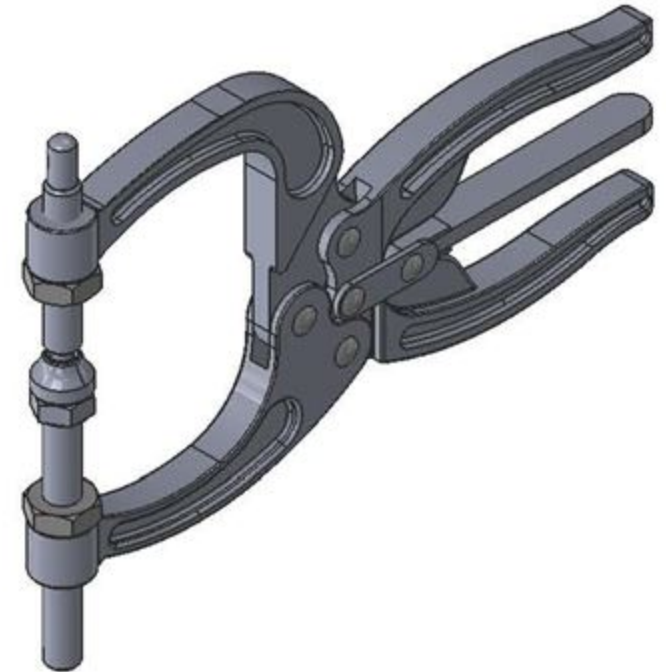
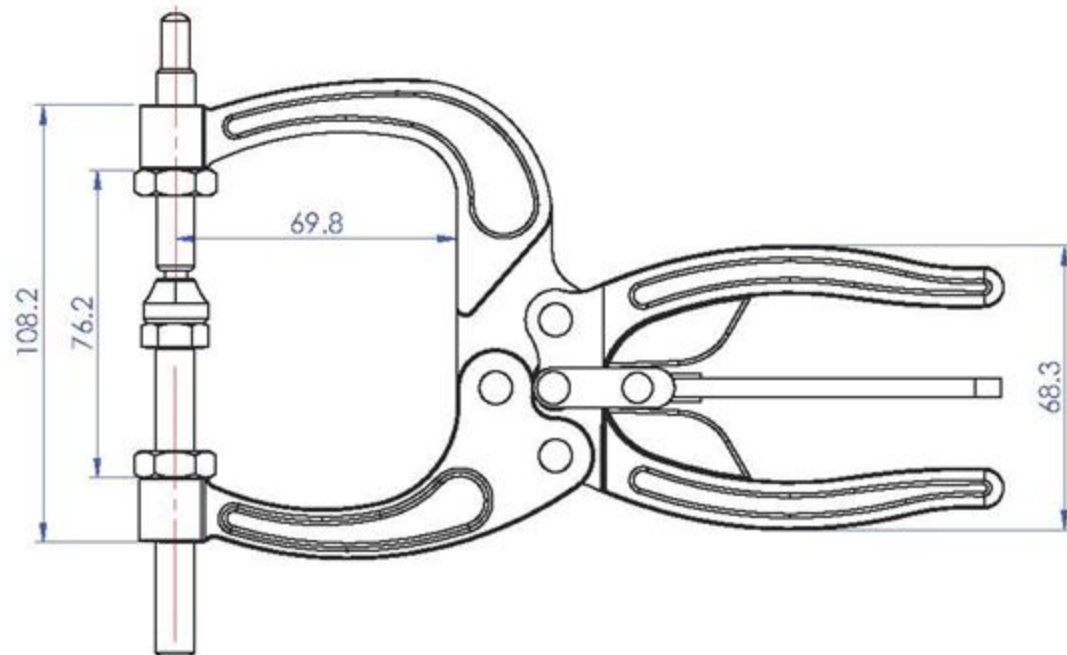
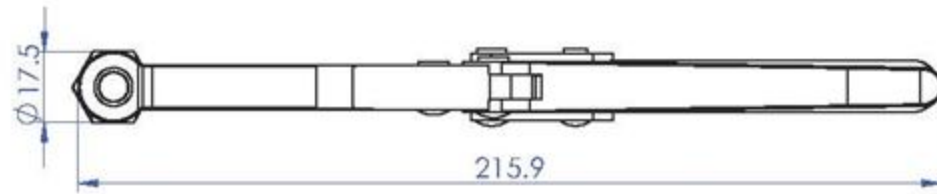
**Good Hand UK Ltd**

TITLE:

DWG NO. GH-50380

A4

Part No:	GH-50450
Holding Capacity:	318Kg
Weight:	0.74Kg
Spindle Supplied:	SF-38300&SA-38300



Unit:mm

Scale: 1:2

**Good Hand UK Ltd**

TITLE:

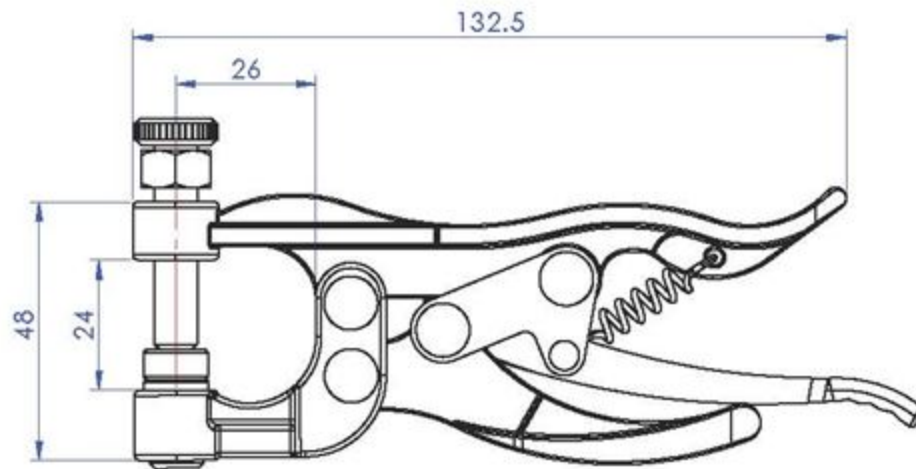
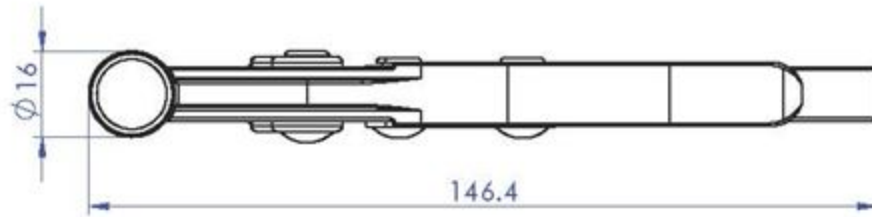
DWG NO. GH-50450

A4

51 Budapest Magyoród útja 12



Part No:	GH-51000
Holding Capacity:	200Kg
Weight:	0.27Kg
Spindle Supplied:	SA-56112



Unit:mm

Scale: 1:1.5

**Good Hand UK Ltd**

TITLE:

DWG NO. GH-51000

A4