

## UNI lock 5-axis basic module double clamp system size 50 mm

### Item description/product images



### Description

**Material:**

Steel.

**Version:**

Main body oxidised.

Contact faces case-hardened and ground.

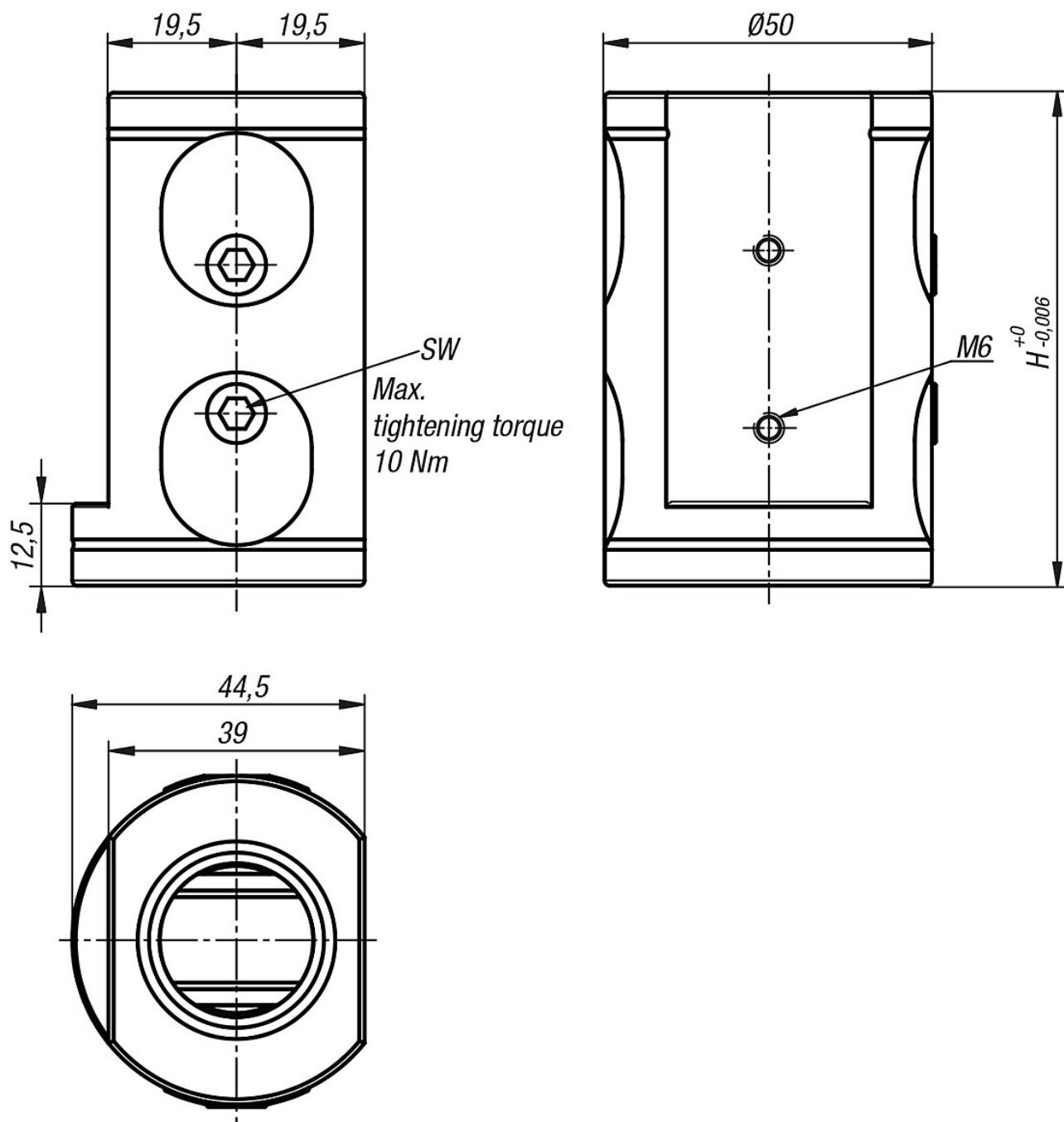
**Note:**

The UNI lock 5-axis double clamp basic modules can be adapted directly to machine tables with grid holes or T-slots, as well as grid hole subplates.

The narrow design of the basic module enables it to be used on grid spacings from 20 mm.

**UNI lock 5-axis basic module double clamp system size 50 mm**

**Drawings**



**Overview of items**

**UNI lock 5-axis basic module, double clamp, system size 50 mm**

Order No.	H	SW
K1118.000750	75	4