

Stop latch

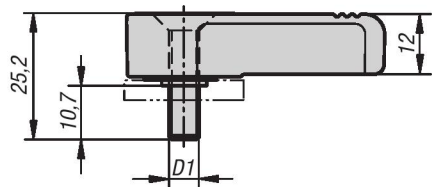


METRIC Parts

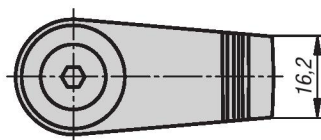
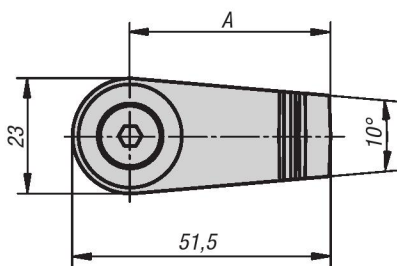
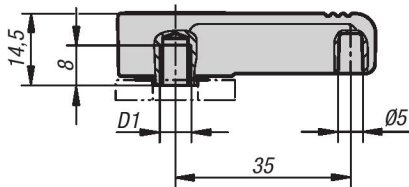
New Item



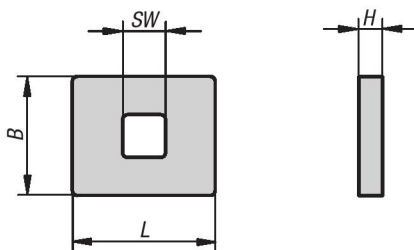
external threads



internal threads



Profile adapter plate

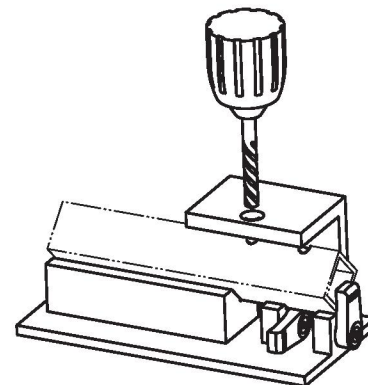


Material:
 Housing die-cast zinc, powder-coated.
 Pin steel 1.0718.
 Washer plastic.
 Circlip spring steel.
 Countersunk screw steel quality class 8.8.

Type:
 Housing black or red.
 Pin blue chromate.
 Circlip, countersunk screw, black.

Part Number Example:
 K0271.140061

Note:
 Engagement every 90°.
 Please order profile adapter plate separately.
 Can be used with external and internal threads.



KIPP Stop latch, metric

| Item No. | Color | Version | A | D1 |
|-----------------|-------|-----------------|----|----|
| K0271.140061 | black | internal thread | 40 | M6 |
| K0271.140062 | red | internal thread | 40 | M6 |
| K0271.140061X10 | black | external thread | 40 | M6 |
| K0271.140062X10 | red | external thread | 40 | M6 |

KIPP Profile adapter plate, metric

| Item No. | B | H | L | SW |
|----------------|----|---|----|----|
| K0271.09302505 | 25 | 5 | 30 | 9 |