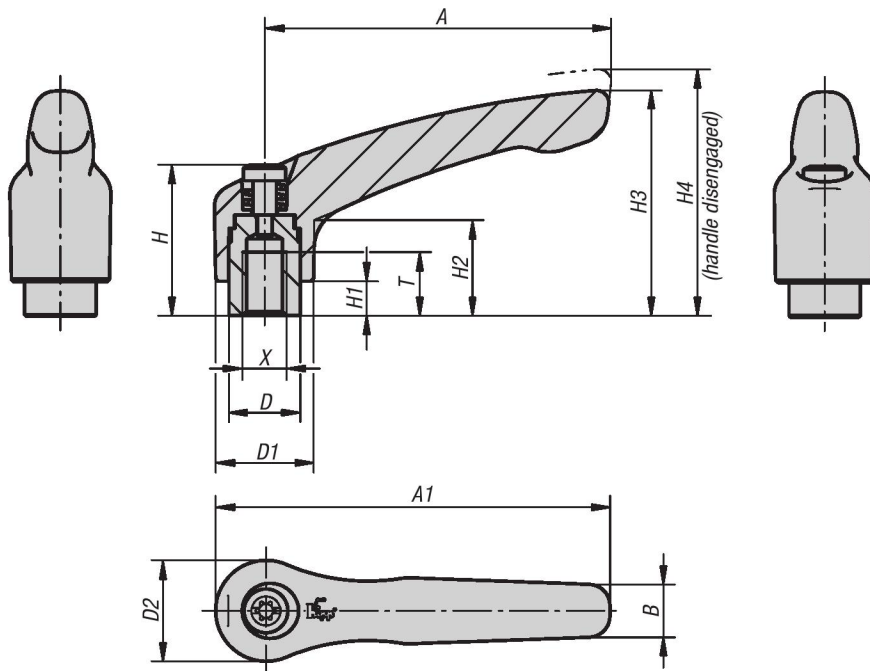




Adjustable Handles

Modern Design Style, stainless steel, internal thread



Material:

Handle in precision cast 1.4308, other steel parts 1.4305

Type:

Handle electrolytic polished. Steel parts natural finish.

Part Number Example:

K0124.1A0

On request:

Other internal threads and special versions. Dimension "H1" can be produced in other lengths at an additional charge.





Adjustable Handles

Modern Design Style, stainless steel, internal thread

KIPP Adjustable Handles, Modern Design Style, stainless steel, internal thread, inch

Item No.	Size	X	T	D	D1	D2	H	H1	H2	H3	H4	A	A1	B	No. of teeth
K0124.1A0	1	10-24	9	10	13	14	24.5	4	14.5	31	34	40	47	7	16
K0124.1A1	1	10-32	9	10	13	14	24.5	4	14.5	31	34	40	47	7	16
K0124.1A2	1	1/4-20	9	10	13	14	24.5	4	14.5	31	34	40	47	7	16
K0124.2A2	2	1/4-20	12	13.5	18.5	19	28.5	6.5	17.5	42.5	45.5	65	74.5	10	20
K0124.2A3	2	5/16-18	12	13.5	18.5	19	28.5	6.5	17.5	42.5	45.5	65	74.5	10	20
K0124.3A3	3	5/16-18	14	16	21	22	37	10	24	54.5	58.5	80	91	11	22
K0124.3A4	3	3/8-16	14	16	21	22	37	10	24	54.5	58.5	80	91	11	22
K0124.4A4	4	3/8-16	17	19	27	27.5	43	10	27	63	67.5	95	109	13	24
K0124.4A5	4	1/2-13	17	19	27	27.5	43	10	27	63	67.5	95	109	13	24
K0124.5A5	5	1/2-13	23	23	31	32	49	12	31.5	73	77.5	110	126	15	26
K0124.5A6	5	5/8-11	23	23	31	32	49	12	31.5	73	77.5	110	126	15	26

KIPP Adjustable Handles, Modern Design Style, stainless steel, internal thread, metric

Item No.	Size	X	T	D	D1	D2	H	H1	H2	H3	H4	A	A1	B	No. of teeth
K0124.104	1	M4	9	10	13	14	24,5	4	14,5	31	34	40	47	7	16
K0124.105	1	M5	9	10	13	14	24,5	4	14,5	31	34	40	47	7	16
K0124.106	1	M6	9	10	13	14	24,5	4	14,5	31	34	40	47	7	16
K0124.206	2	M6	12	13,5	18,5	19	28,5	6,5	17,5	42,5	45,5	65	74,5	10	20
K0124.208	2	M8	12	13,5	18,5	19	28,5	6,5	17,5	42,5	45,5	65	74,5	10	20
K0124.308	3	M8	14	16	21	22	37	10	24	54,5	58,5	80	91	11	22
K0124.310	3	M10	14	16	21	22	37	10	24	54,5	58,5	80	91	11	22
K0124.410	4	M10	17	19	27	27,5	43	10	27	63	67,5	95	109	13	24
K0124.412	4	M12	17	19	27	27,5	43	10	27	63	67,5	95	109	13	24
K0124.512	5	M12	23	23	31	32	49	12	31,5	73	77,5	110	126	15	26
K0124.516	5	M16	23	23	31	32	49	12	31,5	73	77,5	110	126	15	26



Adjustable Handles

Modern Design Style, stainless steel, external thread



INCH Parts

METRIC Parts

Expanded Line



Material:

Handle in precision cast 1.4308, other steel parts 1.4305.

Type:

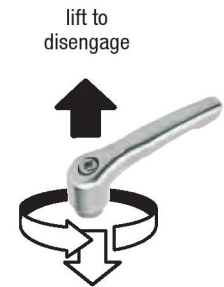
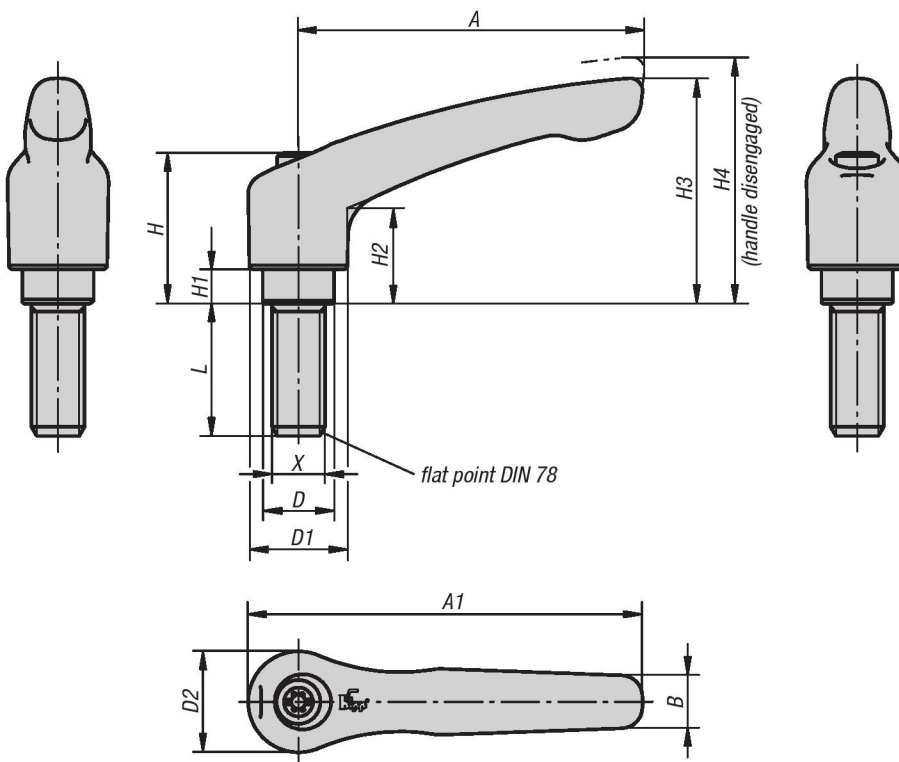
Handle electrolytic polished. Steel parts natural finish.

Part Number Example:

K0124.1A0X10
(include length L)

On request:

Other external threads, screw lengths and special versions. Dimension "H1" can be produced in other lengths at an additional charge.





Adjustable Handles

Modern Design Style, stainless steel, external thread

KIPP Adjustable Handles, Modern Design Style, stainless steel, external thread, inch

Item No.	Size	X	D	D1	D2	H	H1	H2	H3	H4	A	A1	B	No. of teeth	L
K0124.1A0X	1	10-24	10	13	14	24.5	4	14.5	31	34	40	47	7	16	10/15/20/25
K0124.1A1X	1	10-32	10	13	14	24.5	4	14.5	31	34	40	47	7	16	10/15/20/25
K0124.1A2X	1	1/4-20	10	13	14	24.5	4	14.5	31	34	40	47	7	16	10/15/20/25/30/40/50
K0124.2A2X	2	1/4-20	13.5	18.5	19	28.5	6.5	17.5	42.5	45.5	65	74.5	10	20	15/20/25/30/40/50/60
K0124.2A3X	2	5/16-18	13.5	18.5	19	28.5	6.5	17.5	42.5	45.5	65	74.5	10	20	15/20/25/30/40/50/60
K0124.2A4X	2	3/8-16	13.5	18.5	19	28.5	6.5	17.5	42.5	45.5	65	74.5	10	20	20/25/30/40/50/60
K0124.3A3X	3	5/16-18	16	21	22	37	10	24	54.5	58.5	80	91	11	22	20/25/30/40/50/60
K0124.3A4X	3	3/8-16	16	21	22	37	10	24	54.5	58.5	80	91	11	22	20/25/30/40/50/60
K0124.4A5X	4	1/2-13	19	27	27.5	43	10	27	63	67.5	95	109	13	24	25/30/40/50/60
K0124.5A6X	5	5/8-11	23	31	32	49	12	31.5	73	77.5	110	126	15	26	30/40/50/60

KIPP Adjustable Handles, Modern Design Style, stainless steel, external thread, metric

Item No.	Size	X	D	D1	D2	H	H1	H2	H3	H4	A	A1	B	No. of teeth	L
K0124.105X	1	M5	10	13	14	24,5	4	14,5	31	34	40	47	7	16	10/15/20/25
K0124.106X	1	M6	10	13	14	24,5	4	14,5	31	34	40	47	7	16	10/15/20/25/30/40/50
K0124.206X	2	M6	13,5	18,5	19	28,5	6,5	17,5	42,5	45,5	65	74,5	10	20	15/20/25/30/40/50/60
K0124.208X	2	M8	13,5	18,5	19	28,5	6,5	17,5	42,5	45,5	65	74,5	10	20	15/20/25/30/40/50/60
K0124.210X	2	M10	13,5	18,5	19	28,5	6,5	17,5	42,5	45,5	65	74,5	10	20	20/25/30/40/50/60
K0124.308X	3	M8	16	21	22	37	10	24	54,5	58,5	80	91	11	22	20/25/30/40/50/60
K0124.310X	3	M10	16	21	22	37	10	24	54,5	58,5	80	91	11	22	20/25/30/40/50/60
K0124.412X	4	M12	19	27	27,5	43	10	27	63	67,5	95	109	13	24	25/30/40/50/60
K0124.516X	5	M16	23	31	32	49	12	31,5	73	77,5	110	126	15	26	30/40/50/60



Adjustable Handles with protective cap

Modern Design Style, stainless steel, internal thread

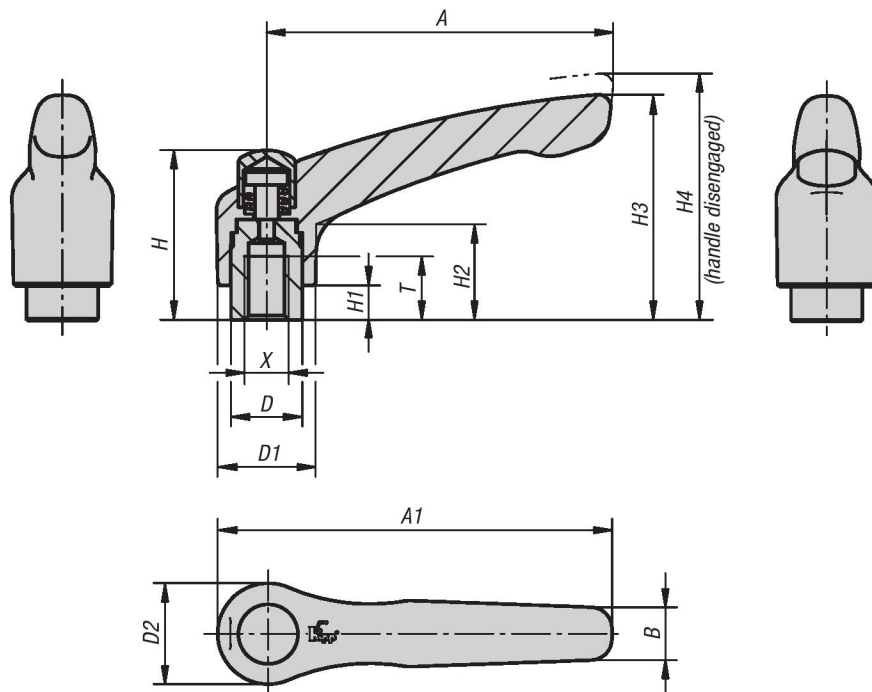


Material:
Handle in precision cast 1.4308,
other steel parts 1.4305.

Type:
Handle electrolytic polished.
Steel parts natural finish.

Part Number Example:
K0124.92A2

Note:
Other internal threads and special versions.
Dimension "H1" can be produced in other lengths
at an additional charge.



KIPP Adjustable Handles with protective cap, Modern Design Style, stainless steel, internal thread, inch

Item No.	Size	X	T	D	D1	D2	H	H1	H2	H3	H4	A	A1	B	No. of teeth
K0124.92A2	2	1/4-20	12	13.5	18.5	19	32	6.5	17.5	42.5	45.5	65	74.5	10	10
K0124.92A3	2	5/16-18	12	13.5	18.5	19	32	6.5	17.5	42.5	45.5	65	74.5	10	10
K0124.93A3	3	5/16-18	14	16	21	22	41.5	10	24	54.5	58.5	80	91	11	11
K0124.93A4	3	3/8-16	14	16	21	22	41.5	10	24	54.5	58.5	80	91	11	11

KIPP Adjustable Handles with protective cap, Modern Design Style, stainless steel, internal thread, metric

Item No.	Size	X	T	D	D1	D2	H	H1	H2	H3	H4	A	A1	B	No. of teeth
K0124.9206	2	M6	12	13,5	18,5	19	32	6,5	17,5	42,5	45,5	65	74,5	10	20
K0124.9208	2	M8	12	13,5	18,5	19	32	6,5	17,5	42,5	45,5	65	74,5	10	20
K0124.9308	3	M8	14	16	21	22	41,5	10	24	54,5	58,5	80	91	11	22
K0124.9310	3	M10	14	16	21	22	41,5	10	24	54,5	58,5	80	91	11	22



Adjustable Handles with protective cap

Modern Design Style, stainless steel, external thread



Material:

Handle in precision cast 1.4308, other steel parts 1.4305.

Type:

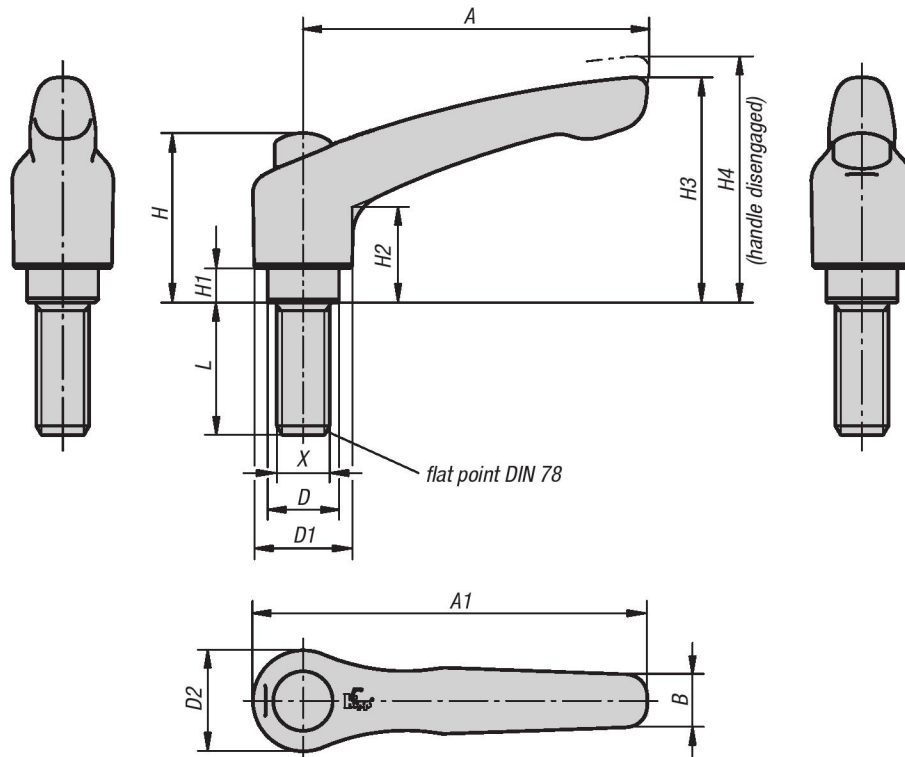
Handle electrolytic polished. Steel parts natural finish.

Part Number Example:

K0124.92A2X15
(include length L)

On request:

Other external threads, screw lengths and special versions. Dimension "H1" can be produced in other lengths at an additional charge.



KIPP Adjustable Handles with protective cap, Modern Design Style, stainless steel, external thread, inch

Item No.	Size	X	D	D1	D2	H	H1	H2	H3	H4	A	A1	B	No. of teeth	L
K0124.92A2X	2	1/4-20	13.5	18.5	19	32	6.5	17.5	42.5	45.5	65	74.5	10	10	15/20/25/30/40/50/60
K0124.92A3X	2	5/16-18	13.5	18.5	19	32	6.5	17.5	42.5	45.5	65	74.5	10	10	15/20/25/30/40/50/60
K0124.92A4X	2	3/8-16	13.5	18.5	19	32	6.5	17.5	42.5	45.5	65	74.5	10	10	20/25/30/40/50/60
K0124.93A3X	3	5/16-18	16	21	22	41.5	10	24	54.5	58.5	80	91	11	11	20/25/30/40/50/60
K0124.93A4X	3	3/8-16	16	21	22	41.5	10	24	54.5	58.5	80	91	11	11	20/25/30/40/50/60

KIPP Adjustable Handles with protective cap, Modern Design Style, stainless steel, external thread, metric

Item No.	Size	X	D	D1	D2	H	H1	H2	H3	H4	A	A1	B	No. of teeth	L
K0124.9206X	2	M6	13,5	18,5	19	32	6,5	17,5	42,5	45,5	65	74,5	10	20	15/20/25/30/40/50/60
K0124.9208X	2	M8	13,5	18,5	19	32	6,5	17,5	42,5	45,5	65	74,5	10	20	15/20/25/30/40/50/60
K0124.9210X	2	M10	13,5	18,5	19	32	6,5	17,5	42,5	45,5	65	74,5	10	20	20/25/30/40/50/60
K0124.9308X	3	M8	16	21	22	41,5	10	24	54,5	58,5	80	91	11	22	20/25/30/40/50/60
K0124.9310X	3	M10	16	21	22	41,5	10	24	54,5	58,5	80	91	11	22	20/25/30/40/50/60