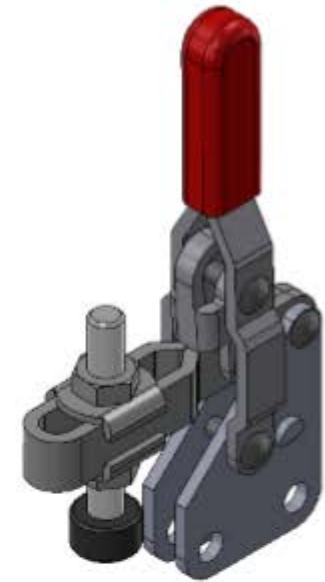
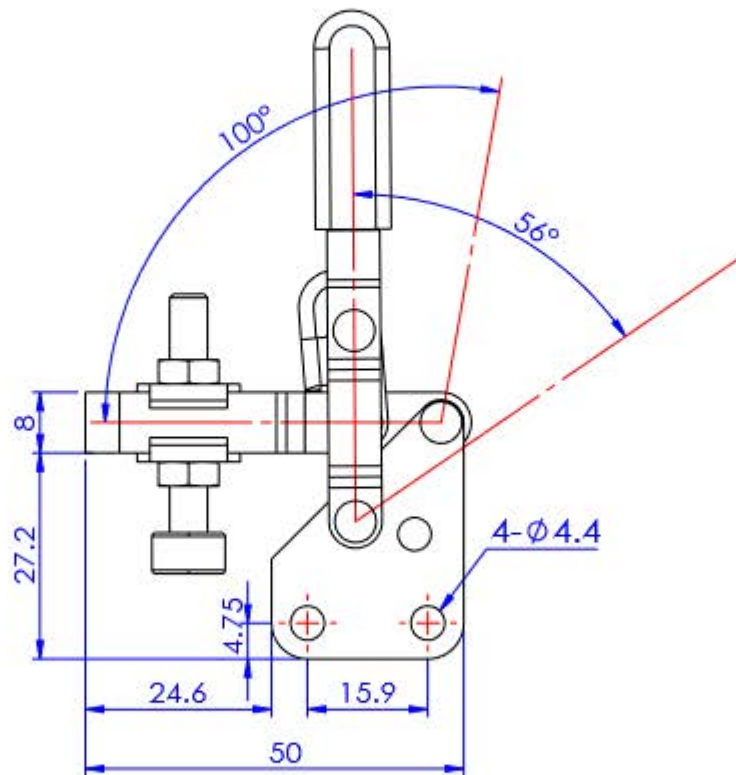
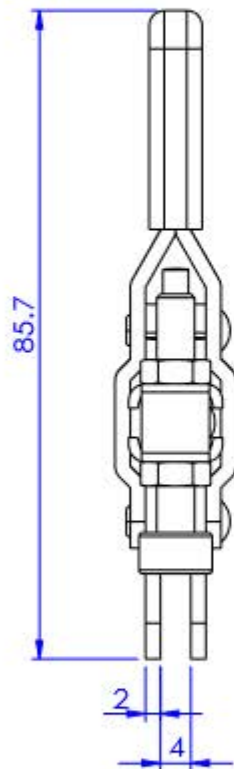
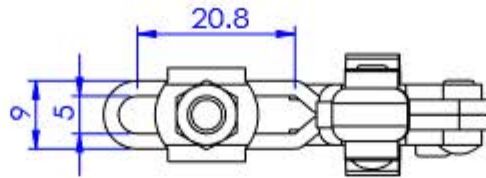


Part No:	GH-101-AI
Holding Capacity:	50Kg
Bar Opens:	100°
Handle Opens:	56°
Weight:	0.06Kg
Spindle Supplied:	FC-053708-LP
Flanged Washers:	FW-100



Unit:mm
Scale: 1:1

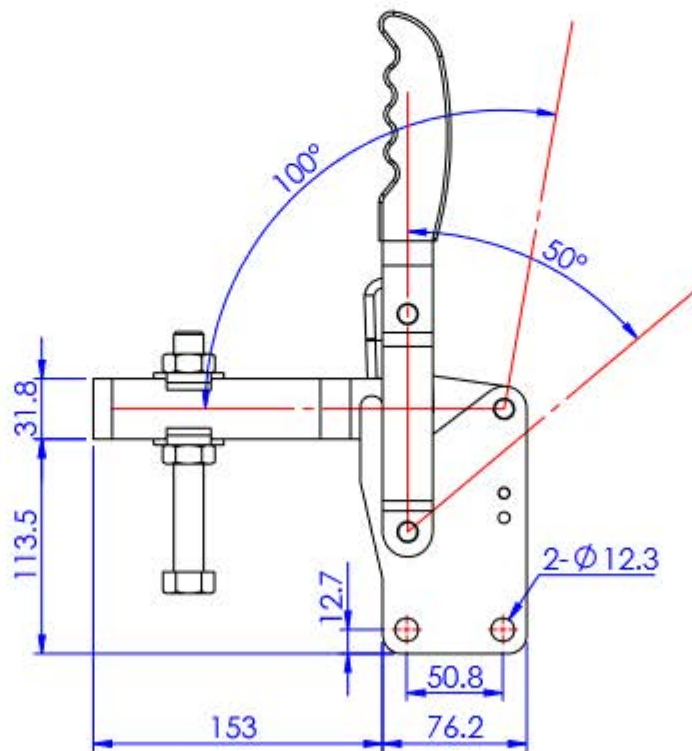
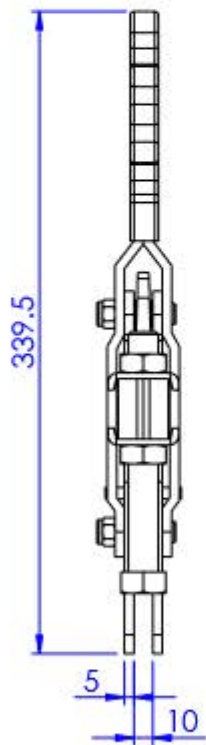
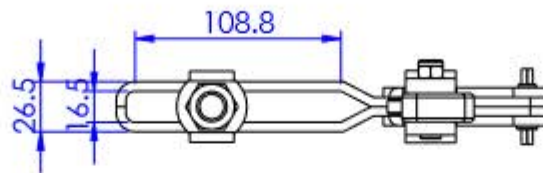
Good Hand UK Ltd

TITLE:

DWG NO. GH-101-AI

A4

Part No:	GH-101-JSB
Holding Capacity:	550Kg
Bar Opens:	100° /140°
Handle Opens:	50° /60°
Weight:	2.44Kg
Spindle Supplied:	SA-161520
Flanged Washers:	FW-580



Unit:mm
Scale: 1:4

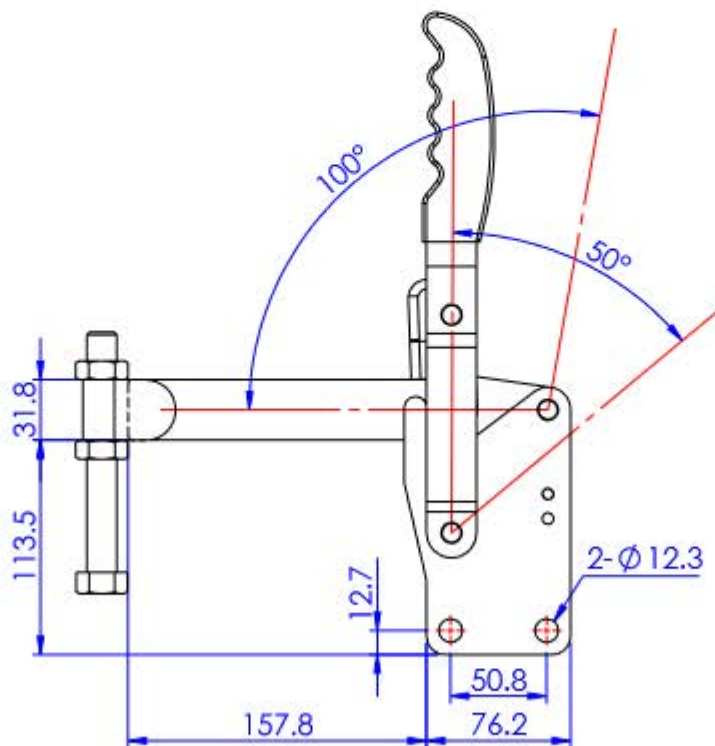
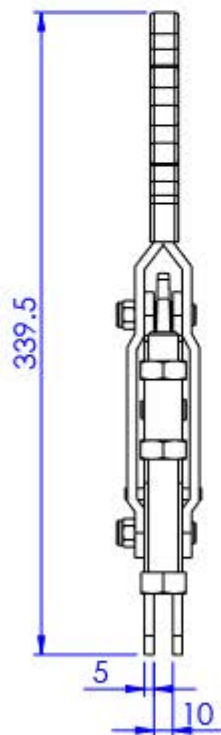
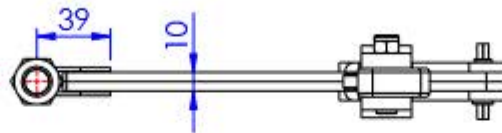
Good Hand UK Ltd

TITLE:

DWG NO. GH-101-JSB

A4

Part No:	GH-101-JSI
Holding Capacity:	550Kg
Bar Opens:	100° /140°
Handle Opens:	50° /60°
Weight:	2.427Kg
Spindle Supplied:	SA-161520
Bolt Retainer:	BR-580



Unit:mm
Scale: 1:4

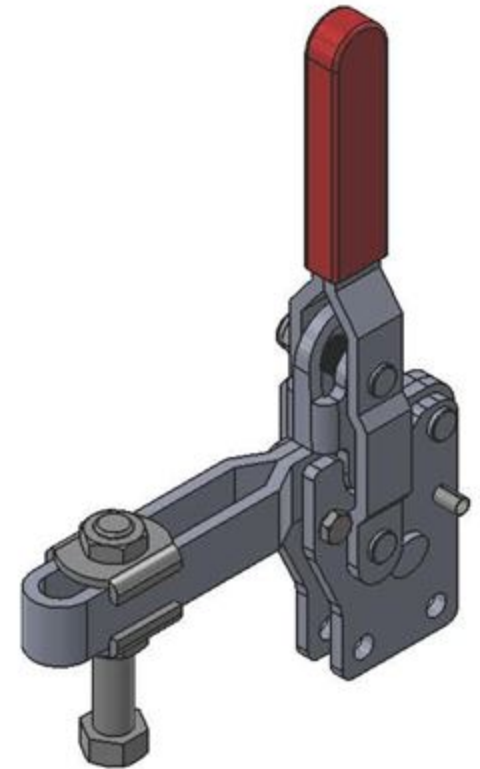
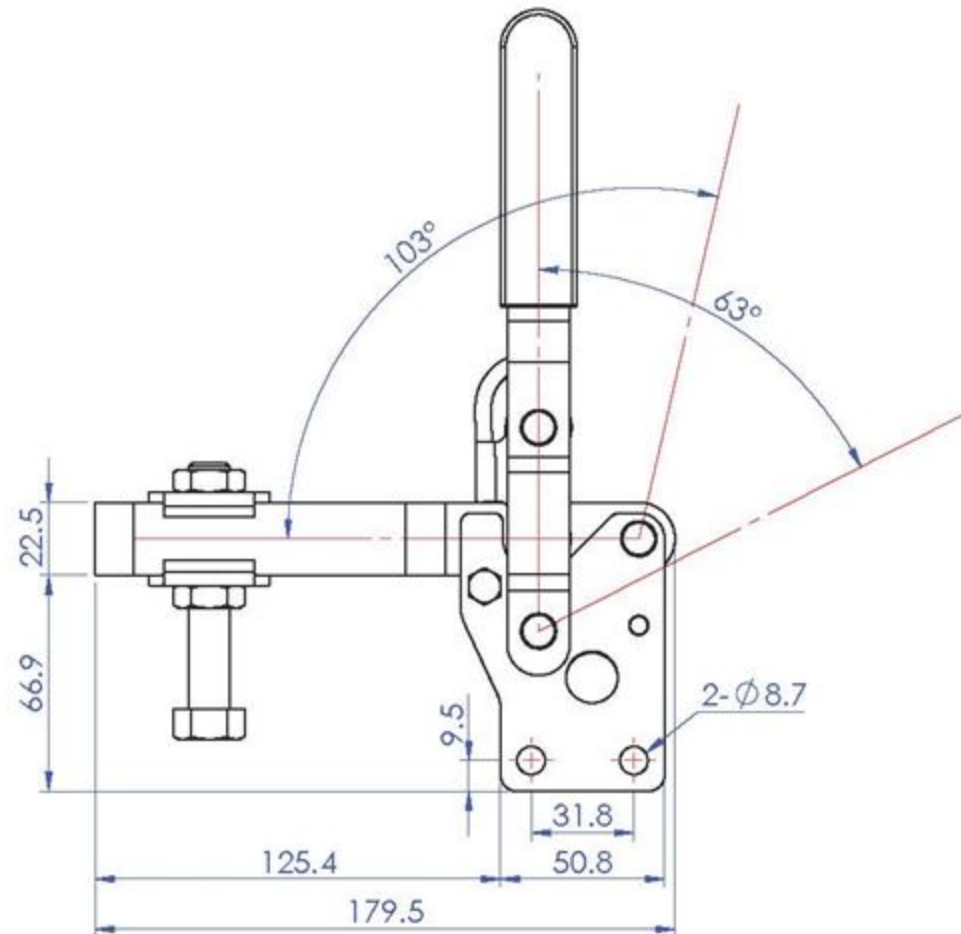
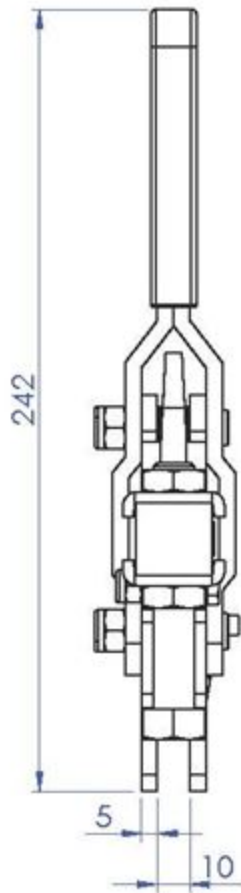
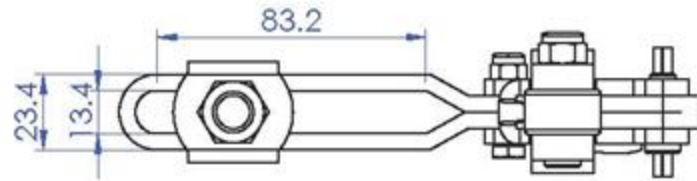
Good Hand UK Ltd

TITLE:

DWG NO. GH-101-JSI

A4

Part No:	GH-10248
Holding Capacity:	450Kg
Bar Opens:	103° / 135°
Handle Opens:	63° / 73°
Weight:	1.241Kg
Spindle Supplied:	SA-12300
Flanged Washers:	FW-120

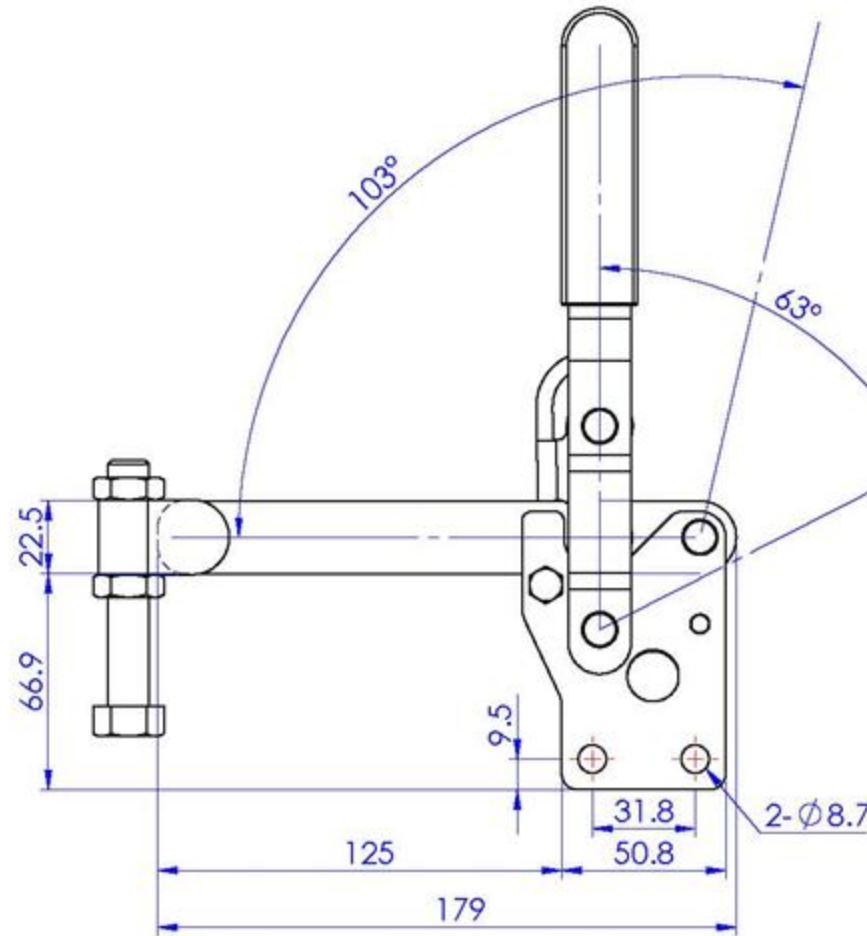
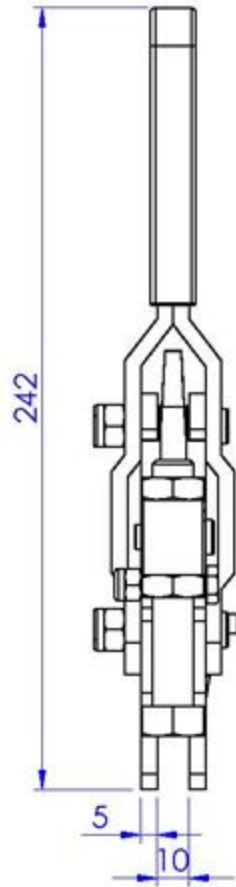
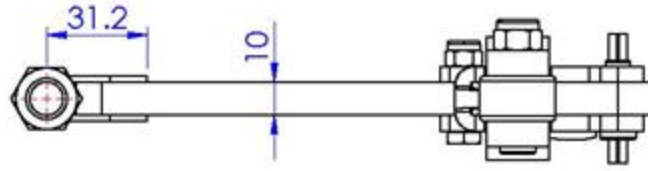


Unit:mm
Scale: 1:2.5

Good Hand UK Ltd

TITLE:	
DWG NO.	GH-10248
	A4

Part No:	GH-10250
Holding Capacity:	450Kg
Bar Opens:	103° / 135°
Handle Opens:	63° / 73°
Weight:	1.211Kg
Spindle Supplied:	SA-12300
Bolt Retainer:	BR-120



Unit:mm

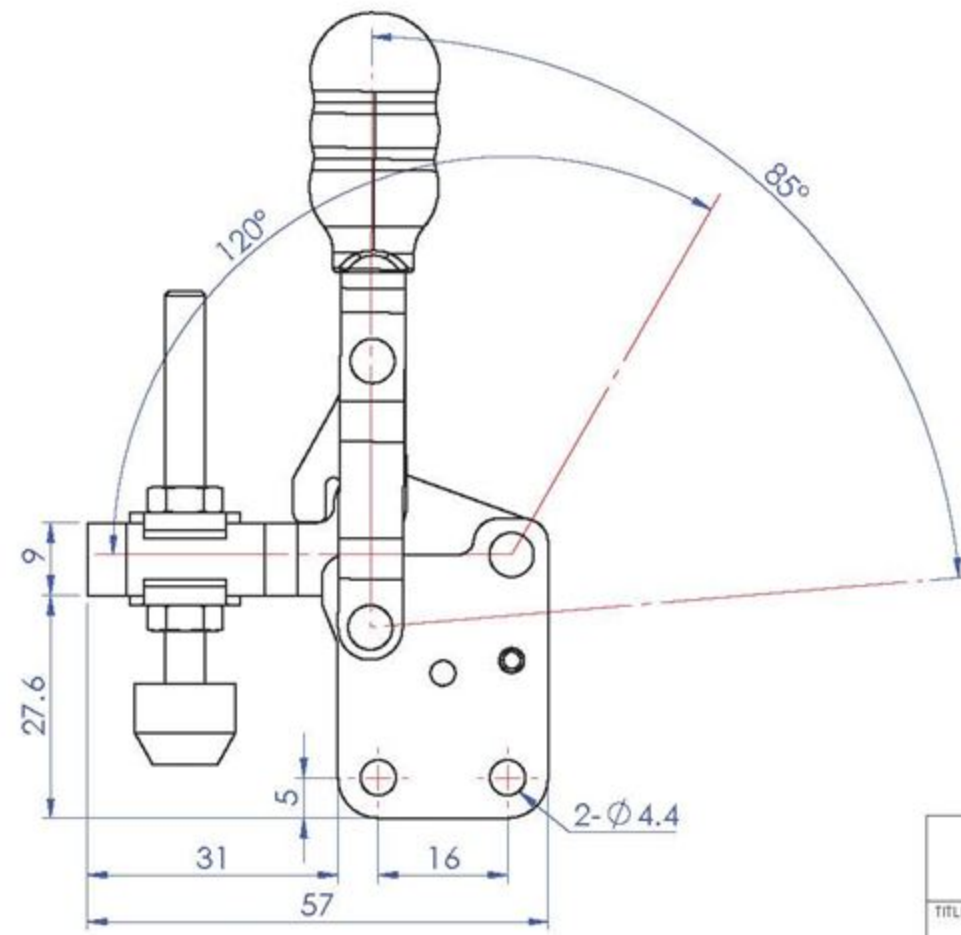
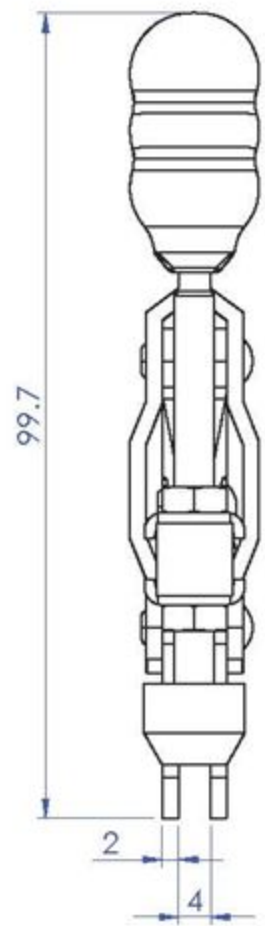
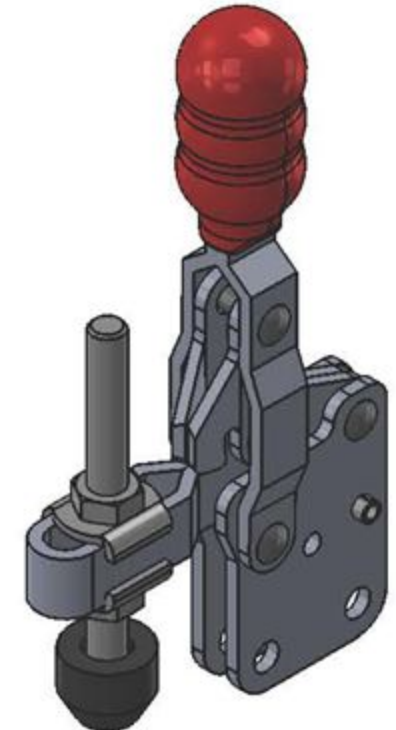
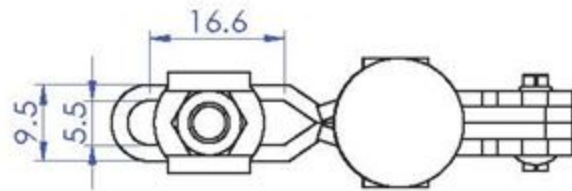
Good Hand UK Ltd

TITLE:

DWG NO. GH-10250

A4

Part No:	GH-10751-B
Holding Capacity:	75Kg
Bar Opens:	120°
Handle Opens:	85°
Weight:	0.091Kg
Spindle Supplied:	SA-054008 + NC-05
Flanged Washers:	FW-100



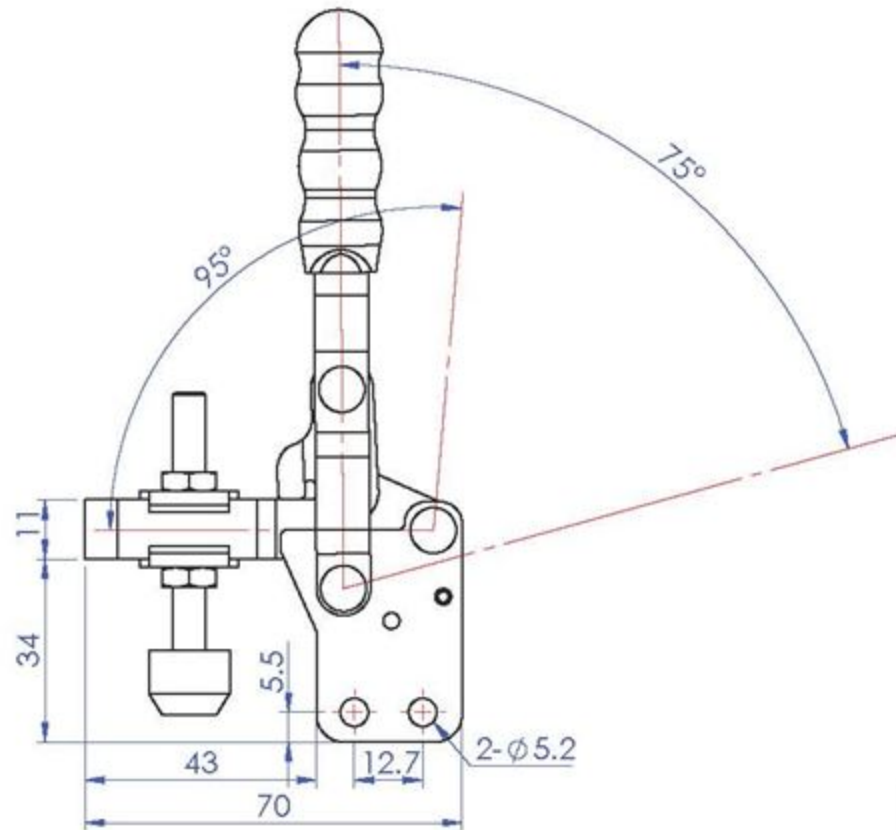
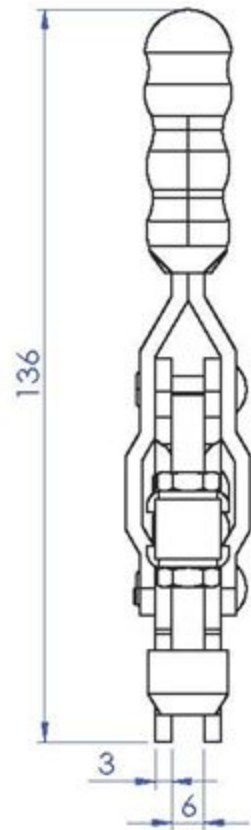
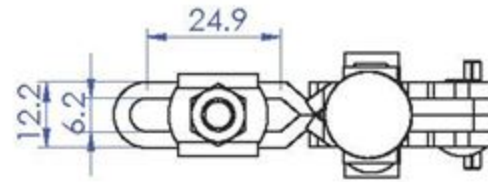
Unit:mm

Scale: 1:1

Good Hand UK Ltd

TITLE:	
DWG NO.	GH-10751-B
	A4

Part No:	GH-11501-B
Holding Capacity:	150Kg
Bar Opens:	95° / 185°
Handle Opens:	75° / 110°
Weight:	0.19Kg
Spindle Supplied:	SA-065010 + NC-06
Flanged Washers:	FW-142



Unit:mm
Scale: 1:1.5

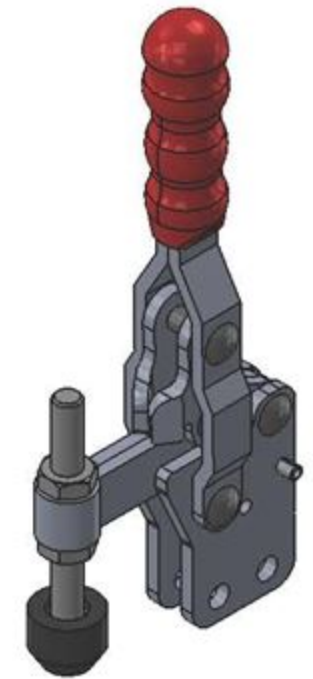
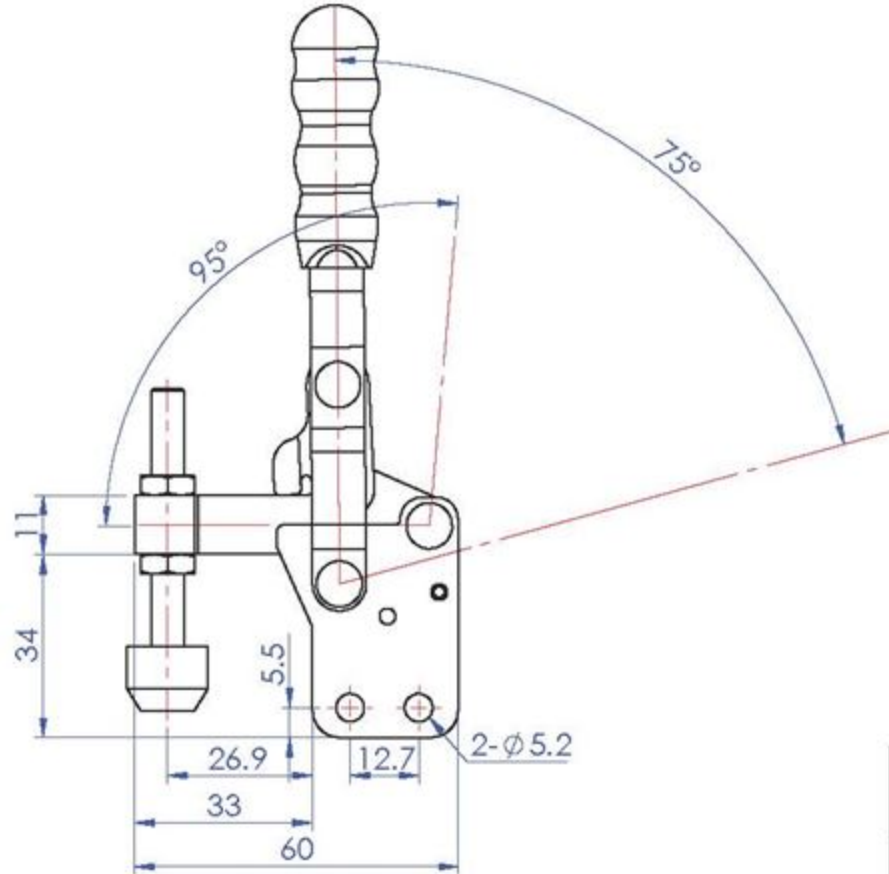
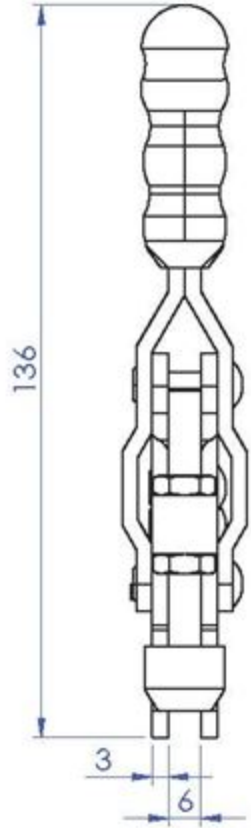
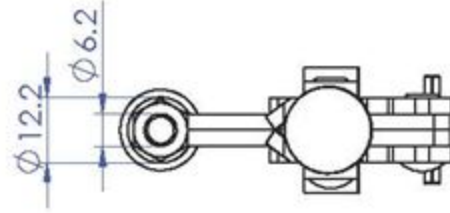
Good Hand UK Ltd

TITLE:

DWG NO. GH-11501-B

A4

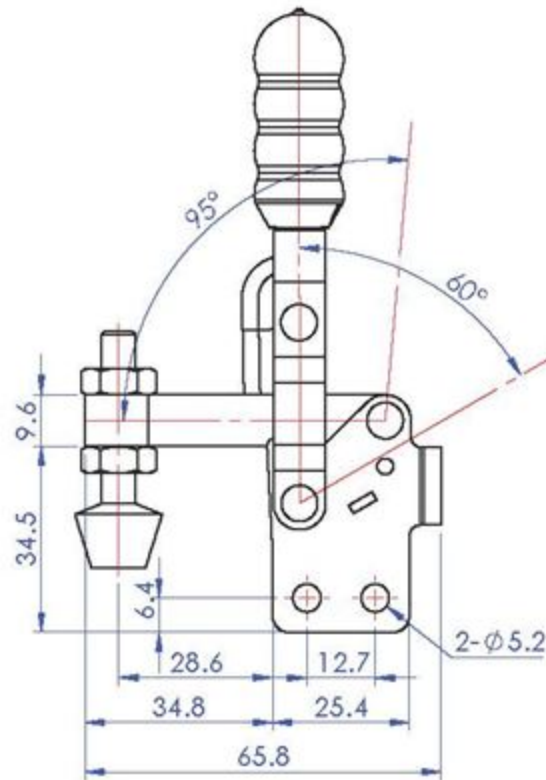
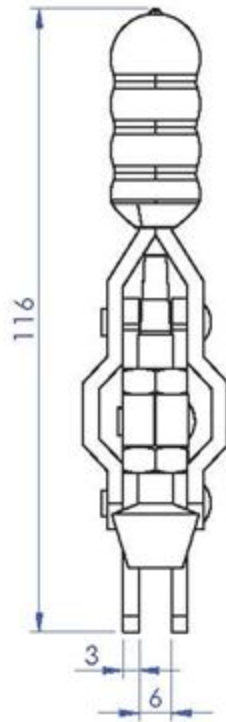
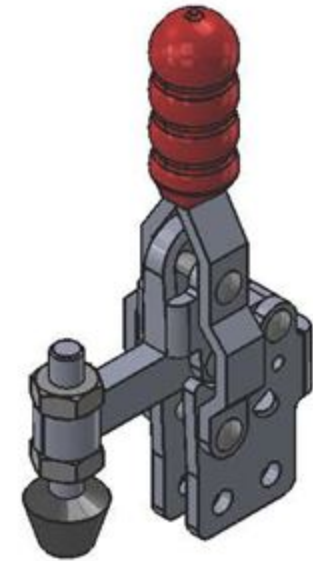
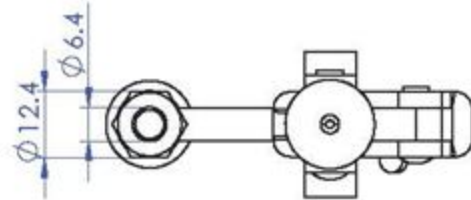
Part No:	GH-11501-C
Holding Capacity:	150Kg
Bar Opens:	95° / 185°
Handle Opens:	75° / 110°
Weight:	0.186Kg
Spindle Supplied:	SA-065010 + NC-06
Flanged Washers:	-



Unit:mm
Scale: 1:1.5

Good Hand UK Ltd	
TITLE:	
DWG NO. GH-11501-C	A4

Part No:	GH-12055
Holding Capacity:	91Kg
Bar Opens:	95°
Handle Opens:	60°
Weight:	0.16Kg
Spindle Supplied:	FC-14134



Unit:mm
Scale: 1:1.5

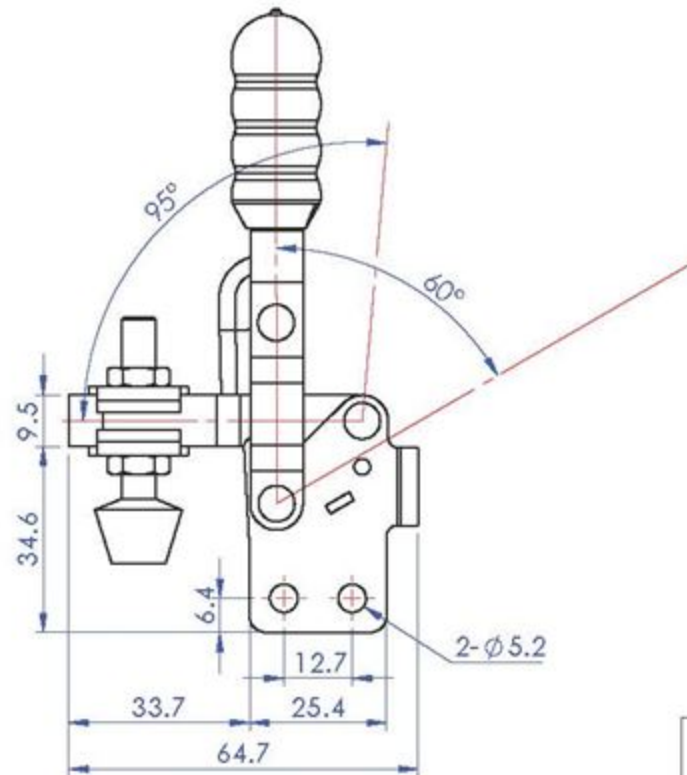
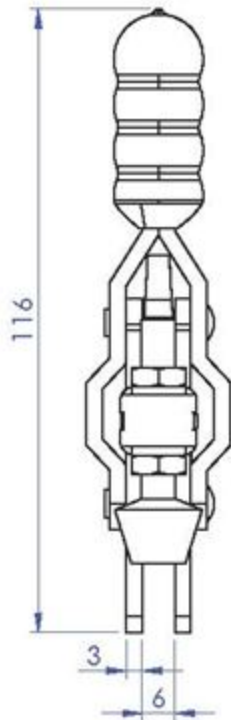
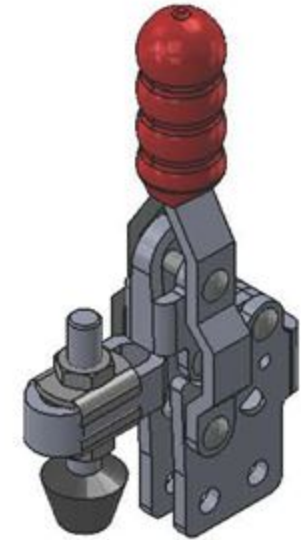
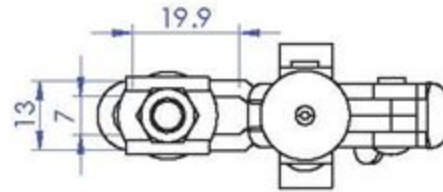
Good Hand UK Ltd

TITLE:

DWG NO. GH-12055

A4

Part No:	GH-12055-U
Holding Capacity:	91Kg
Bar Opens:	95°
Handle Opens:	60°
Weight:	0.17Kg
Spindle Supplied:	FC-14134
Flanged Washers:	FW-142



Unit:mm

Scale: 1:1.5

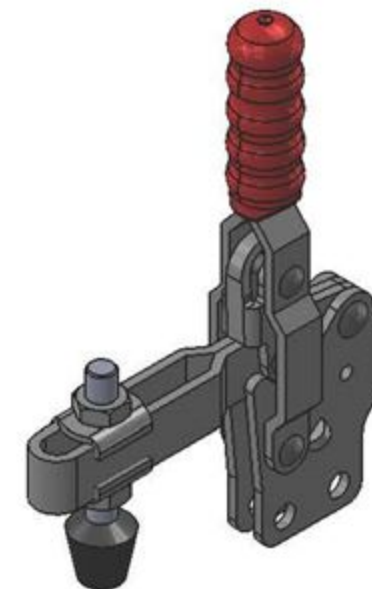
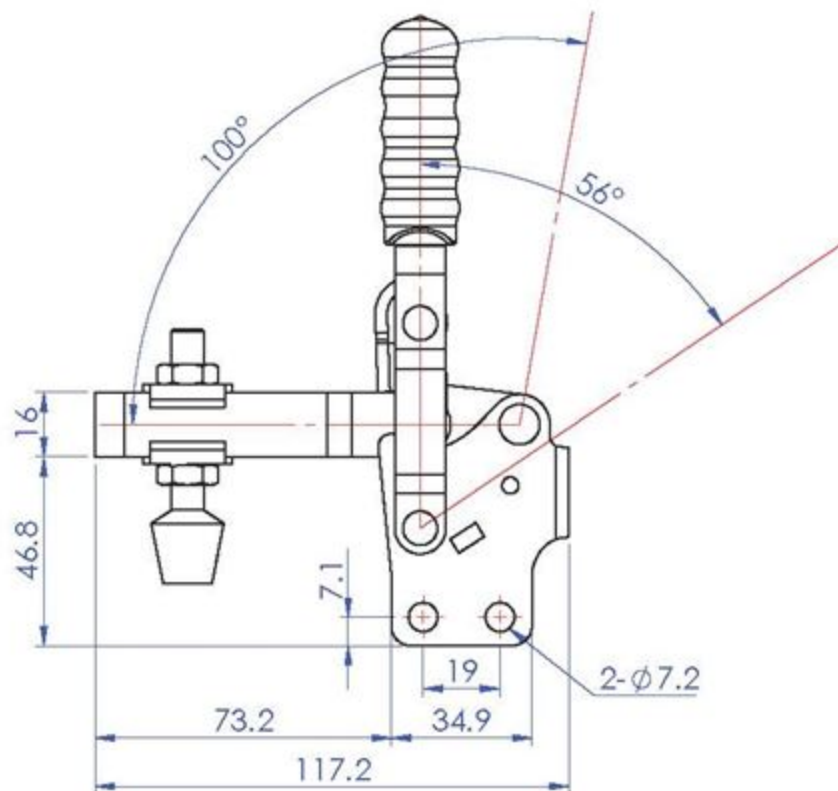
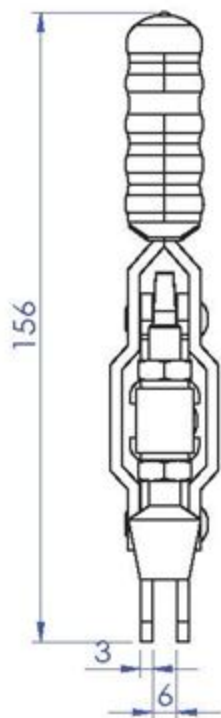
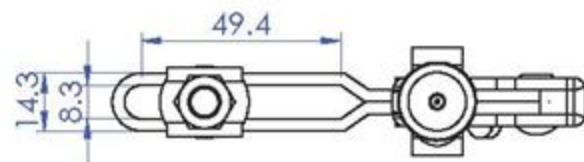
Good Hand UK Ltd

TITLE:

DWG NO. GH-12055-U

A4

Part No:	GH-12135
Holding Capacity:	227Kg
Bar Opens:	100°
Handle Opens:	56°
Weight:	0.355Kg
Spindle Supplied:	FC-56212
Flanged Washers:	FW-516



Unit:mm

Scale: 1:2

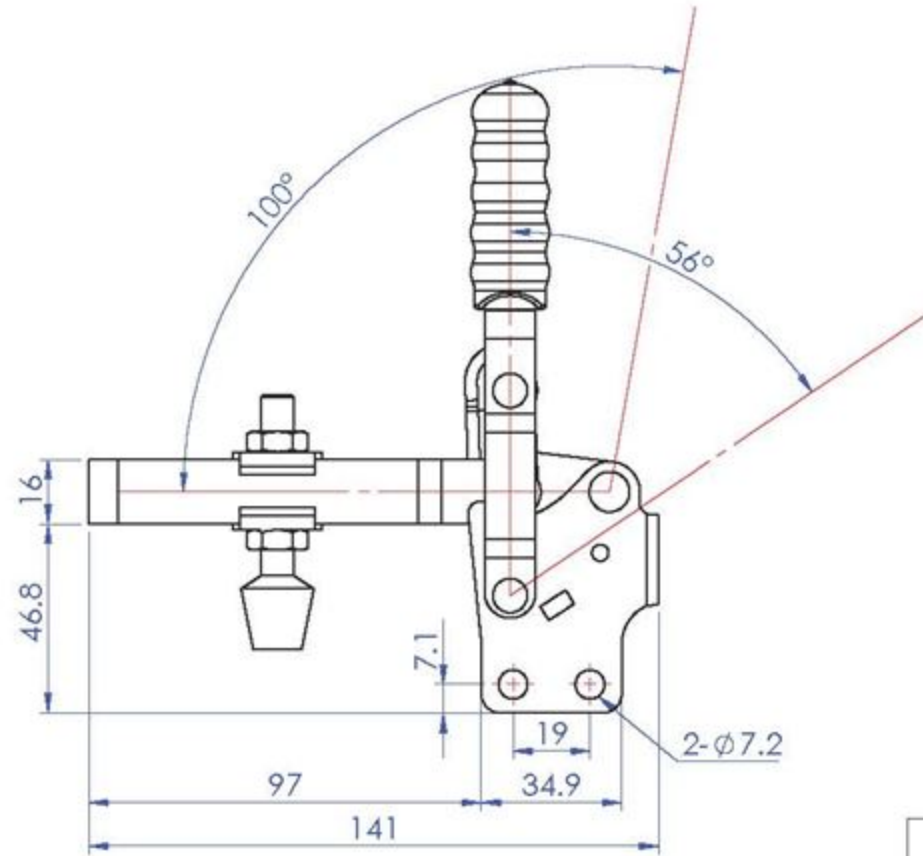
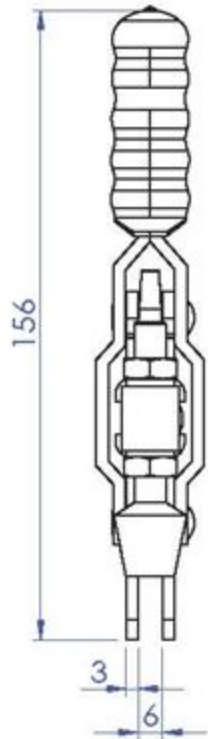
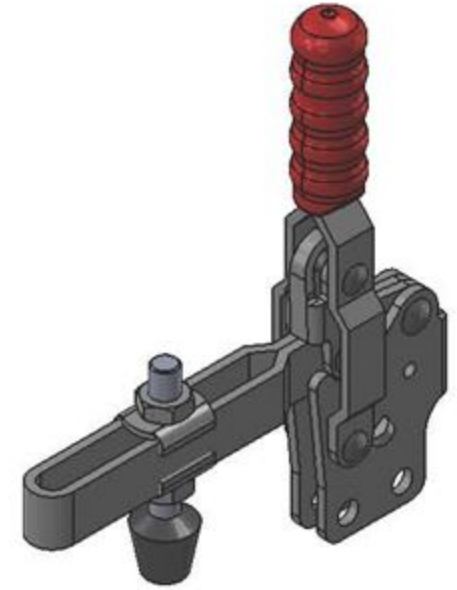
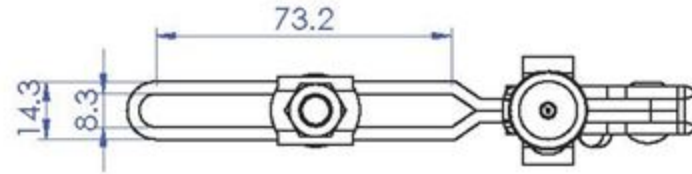
Good Hand UK Ltd

TITLE:

DWG NO. GH-12135

A4

Part No:	GH-12137
Holding Capacity:	227Kg
Bar Opens:	100°
Handle Opens:	56°
Weight:	0.37Kg
Spindle Supplied:	FC-56212
Flanged Washers:	FW-516

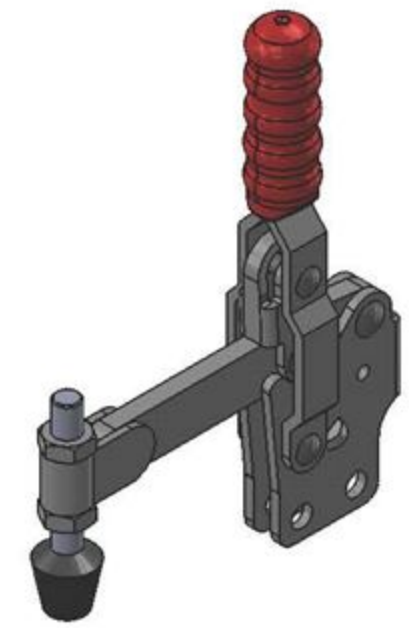
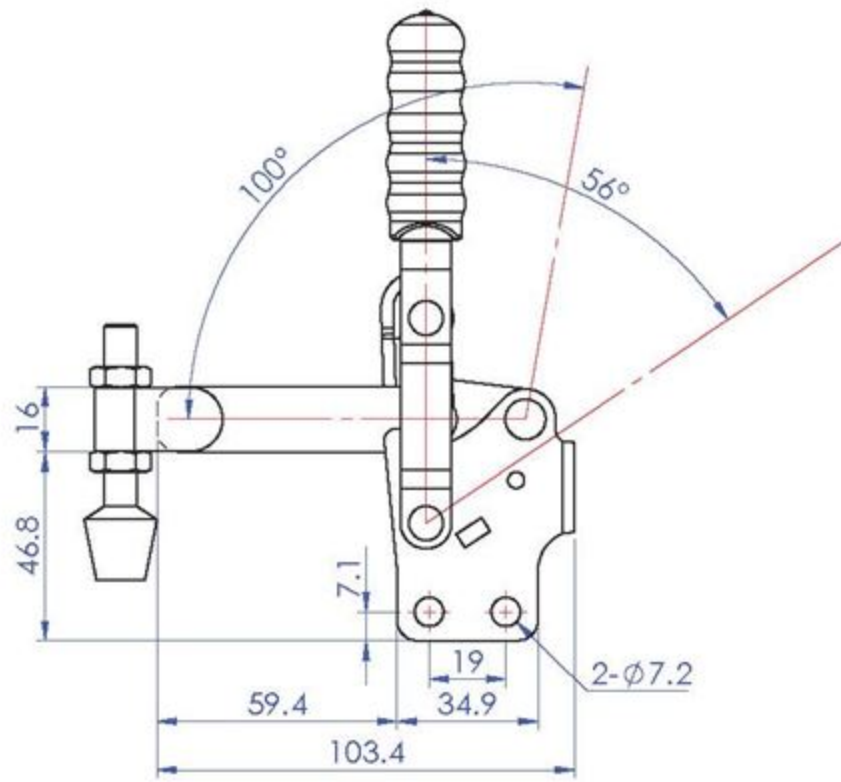
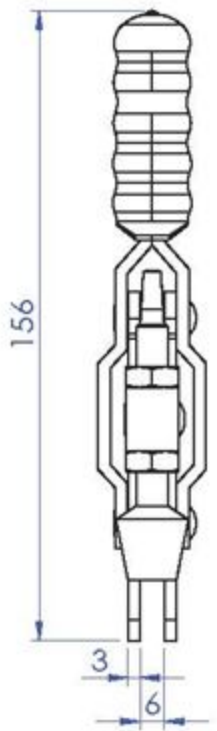
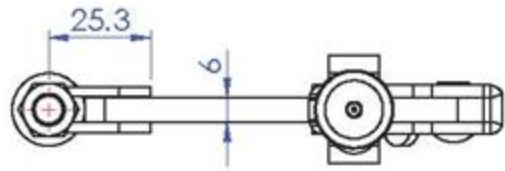


Unit:mm
Scale: 1:2

Good Hand UK Ltd

TITLE:	
DWG NO.	GH-12137
	A4

Part No:	GH-12145
Holding Capacity:	227Kg
Bar Opens:	100°
Handle Opens:	56°
Weight:	0.34Kg
Spindle Supplied:	FC-56212
Bolt Retainer:	BR-516

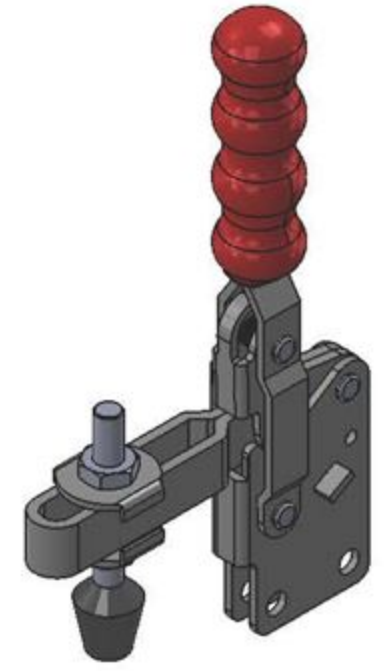
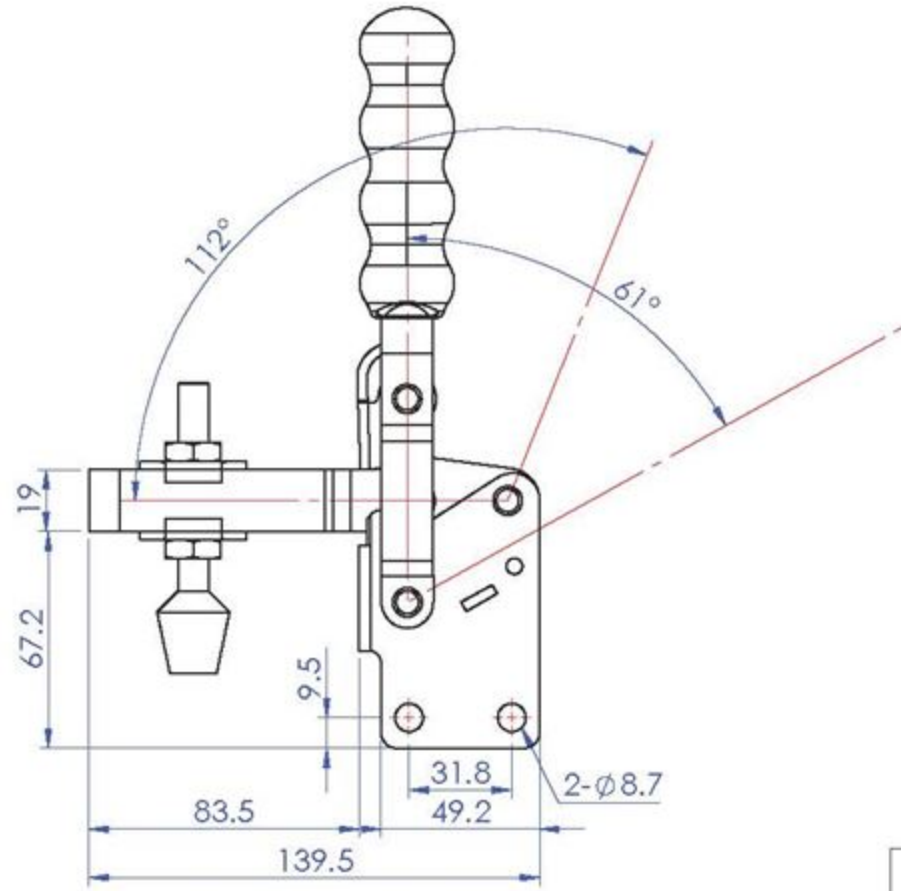
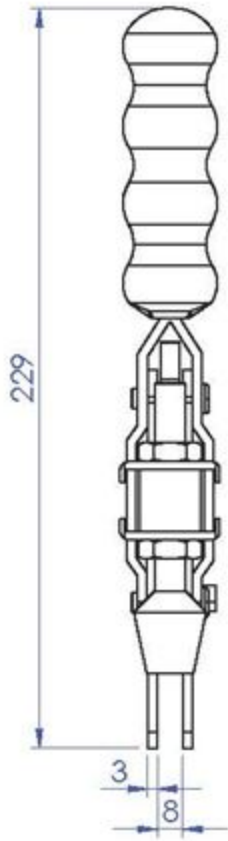
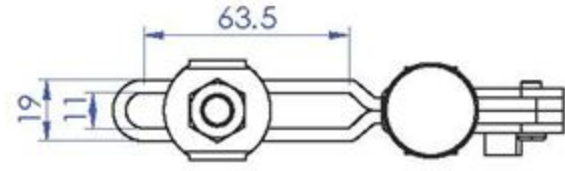


Unit:mm
Scale: 1:2

Good Hand UK Ltd

TITLE:	
DWG NO.	GH-12145
	A4

Part No:	GH-12270
Holding Capacity:	340Kg
Bar Opens:	112°
Handle Opens:	61°
Weight:	0.635Kg
Spindle Supplied:	FC-38312
Flanged Washers:	FW-380



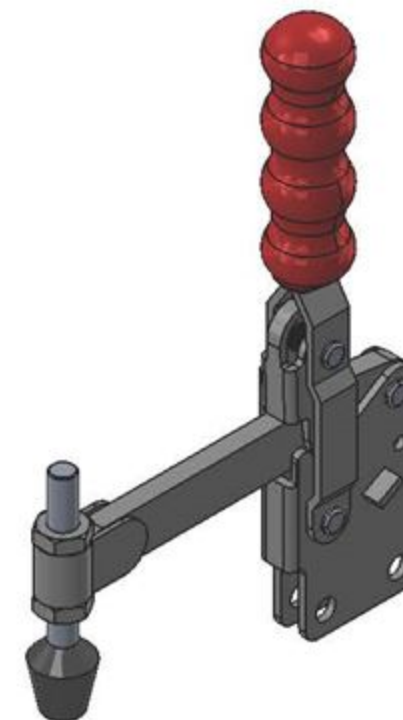
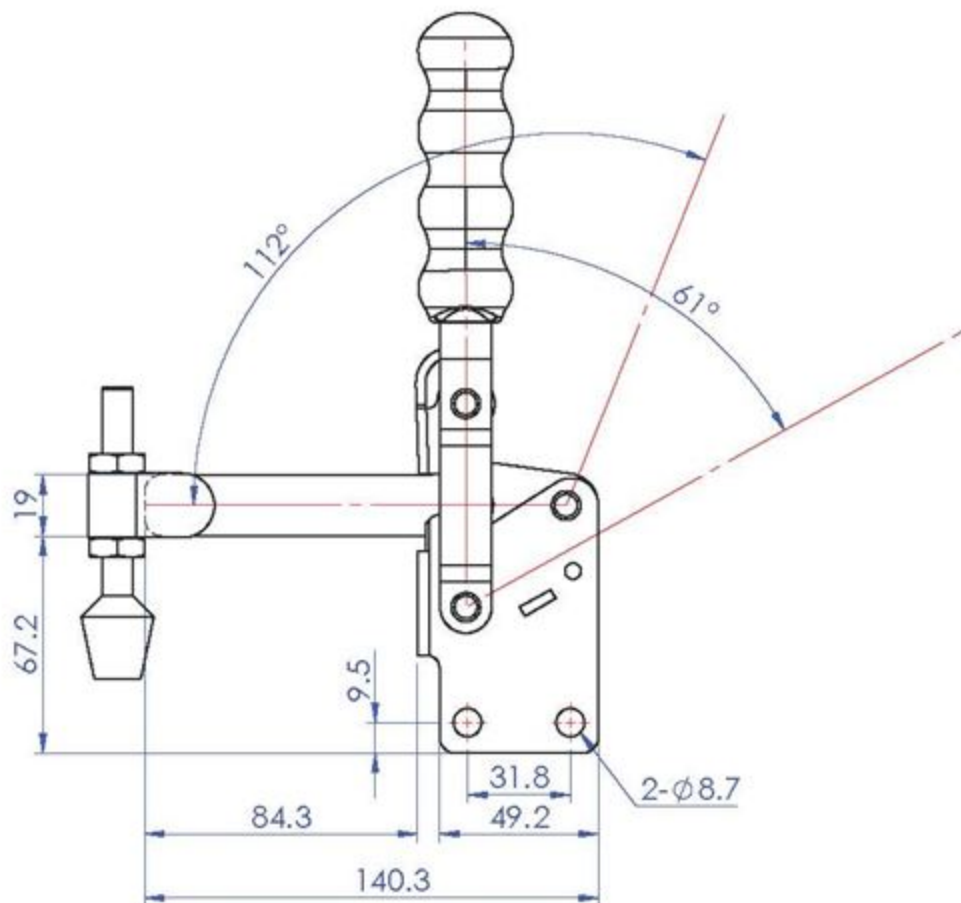
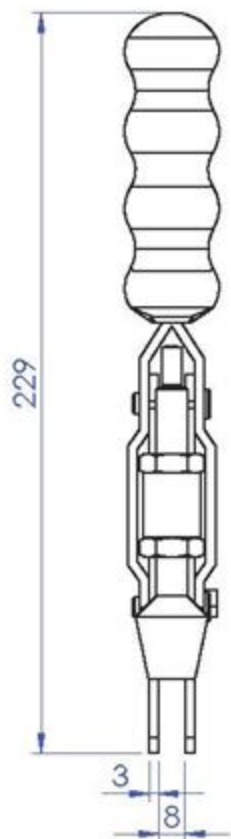
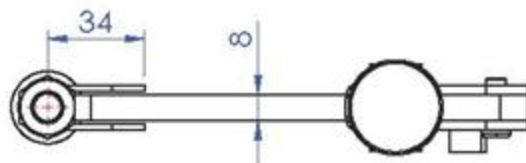
Unit:mm

Scale: 1:2.5

Good Hand UK Ltd

TITLE:		
DWG NO.	GH-12270	A4

Part No:	GH-12280
Holding Capacity:	340Kg
Bar Opens:	112°
Handle Opens:	61°
Weight:	0.68Kg
Spindle Supplied:	FC-38312
Bolt Retainer:	BR-380



Unit:mm
Scale: 1:2.5

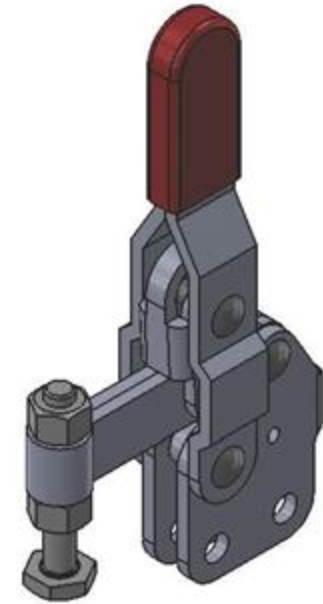
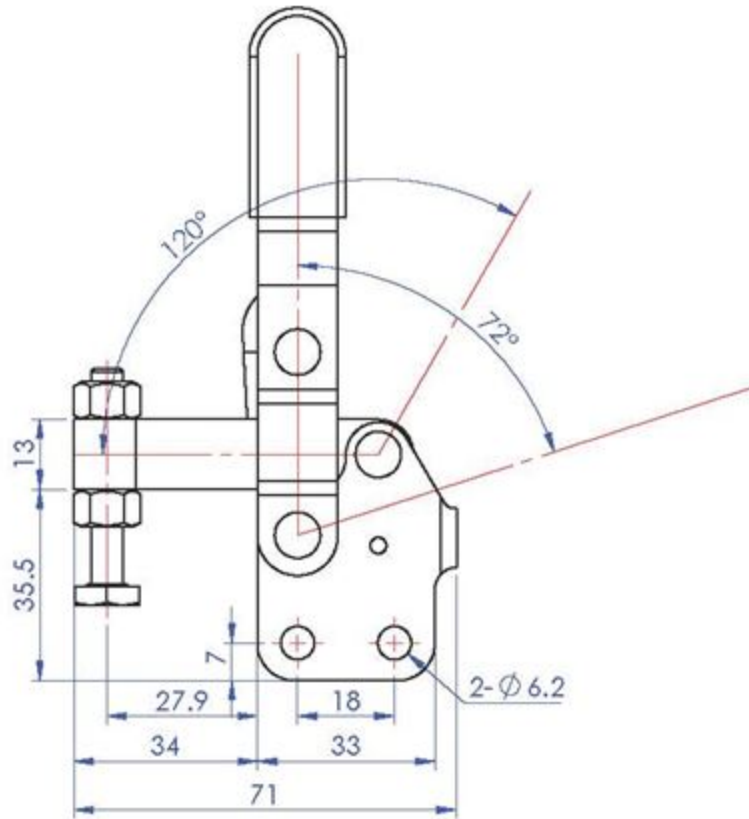
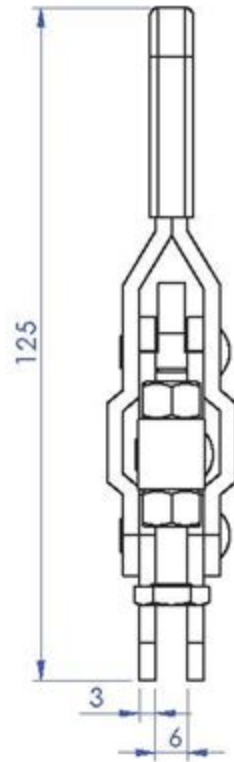
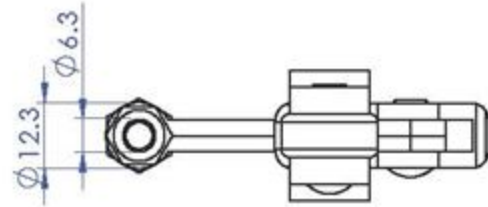
Good Hand UK Ltd

TITLE:

DWG NO. GH-12280

A4

Part No:	GH-12401
Holding Capacity:	100Kg
Bar Opens:	120°
Handle Opens:	72°
Weight:	0.21Kg
Spindle Supplied:	SA-064010



Unit:mm

Scale: 1:1.5

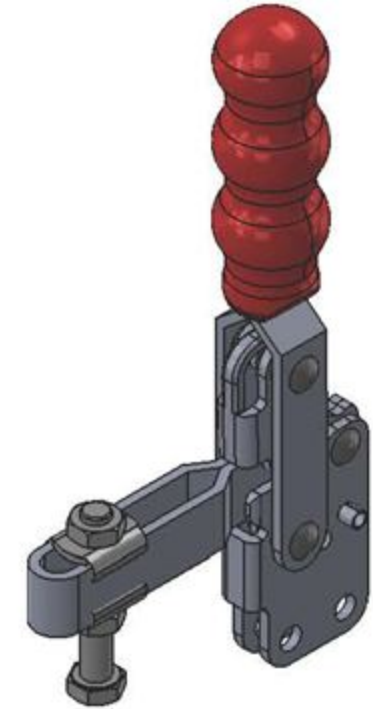
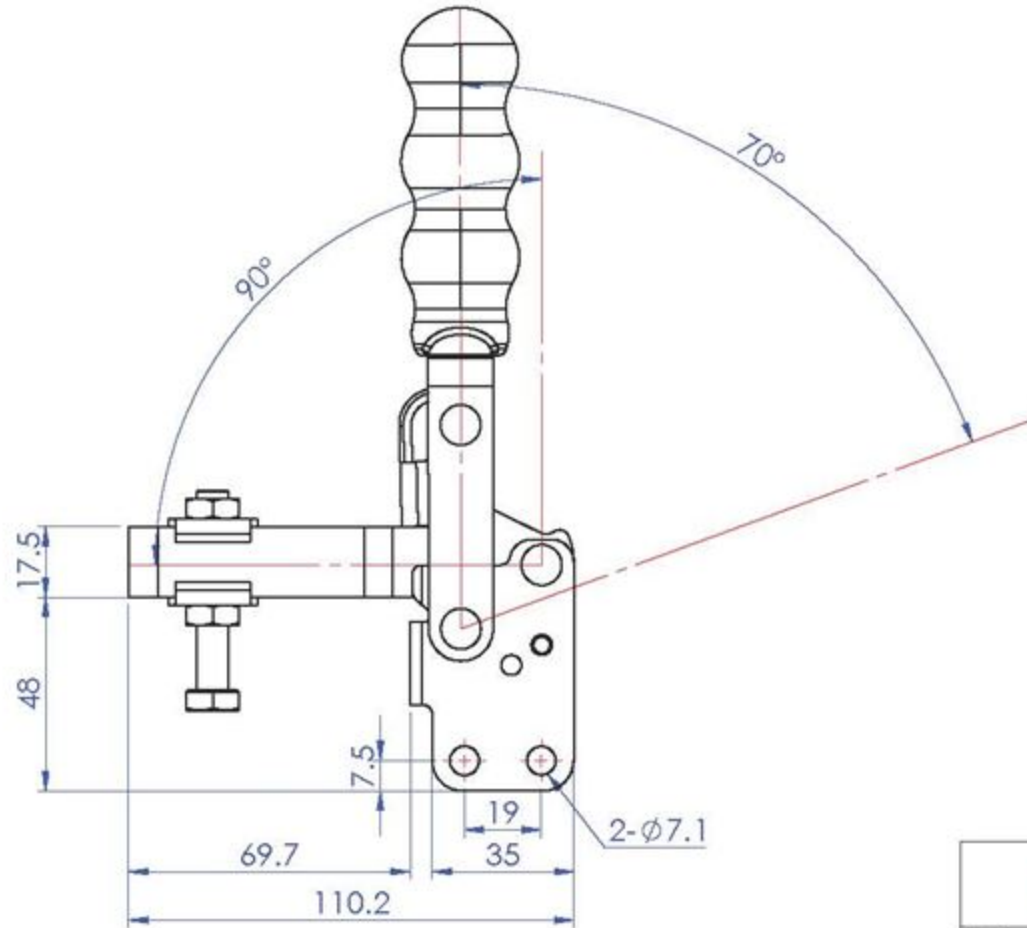
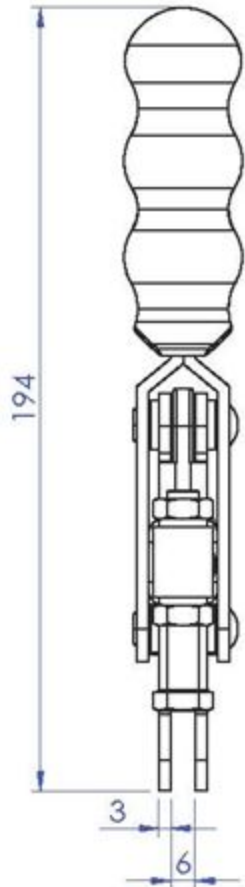
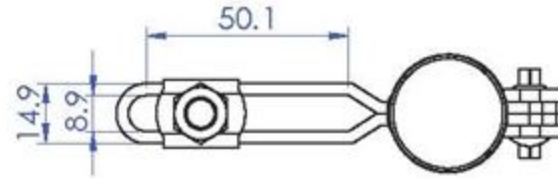
Good Hand UK Ltd

TITLE:

DWG NO. GH-12401

A4

Part No:	GH-12501-B
Holding Capacity:	250Kg
Bar Opens:	90° / 150°
Handle Opens:	70° / 100°
Weight:	0.435Kg
Spindle Supplied:	SA-086512
Flanged Washers:	FW-516

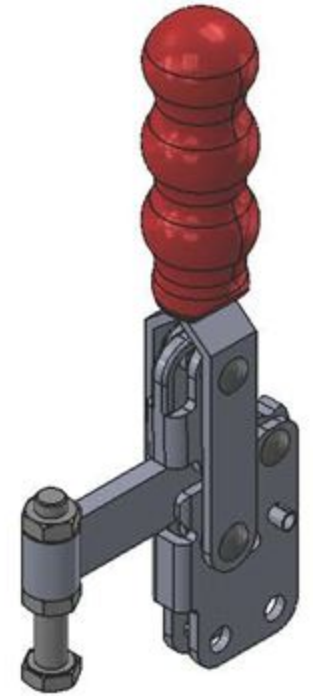
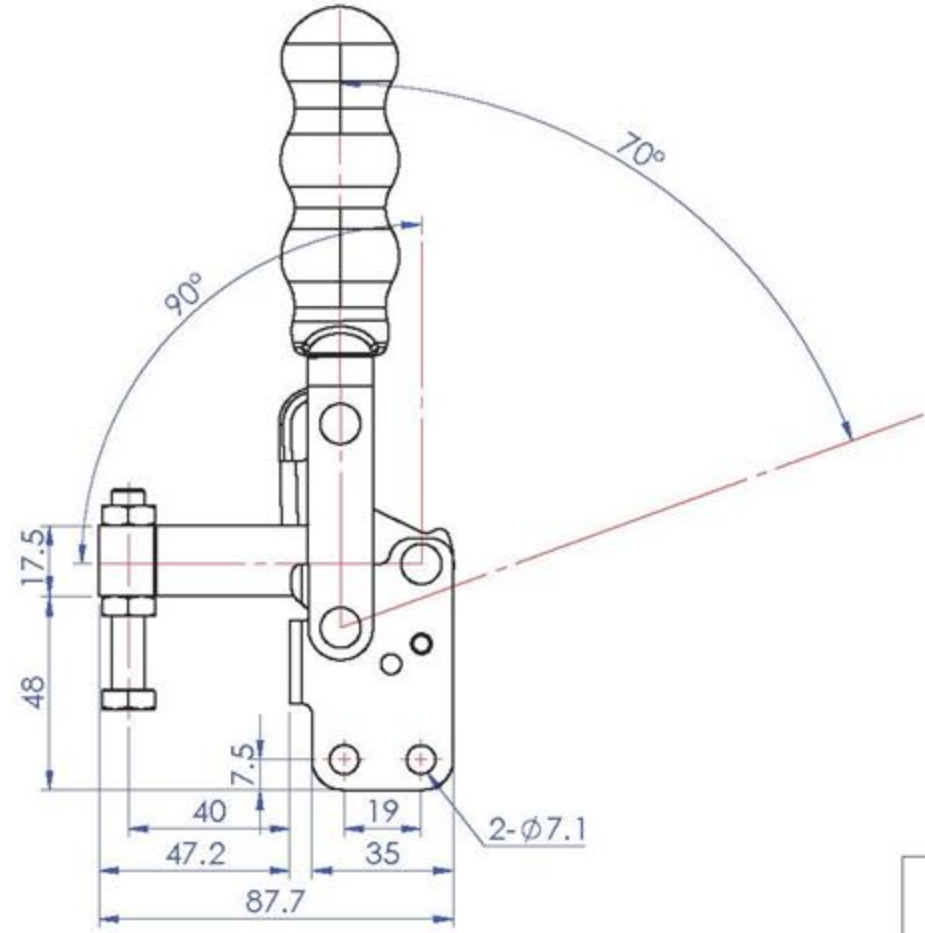
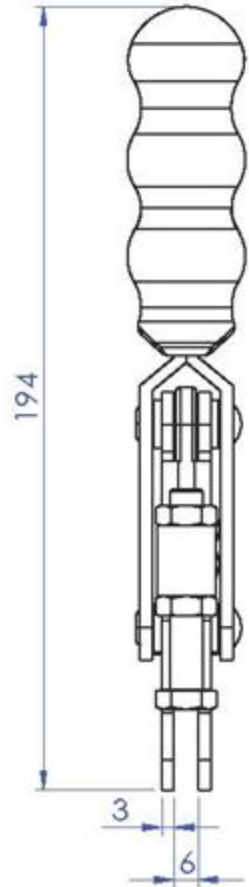
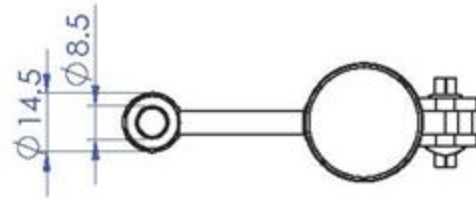


Unit:mm
Scale: 1:2

Good Hand UK Ltd

TITLE:	
DWG NO.	GH-12501-B
A4	

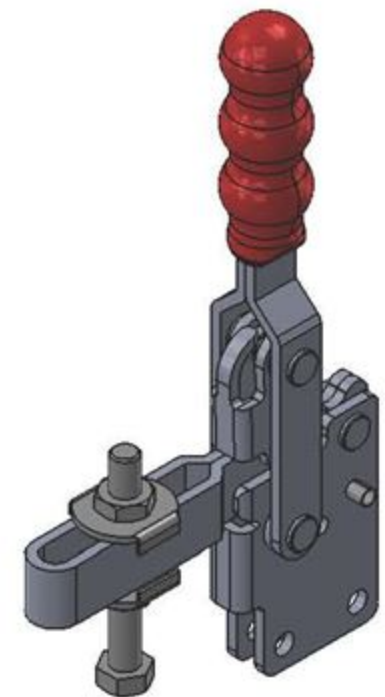
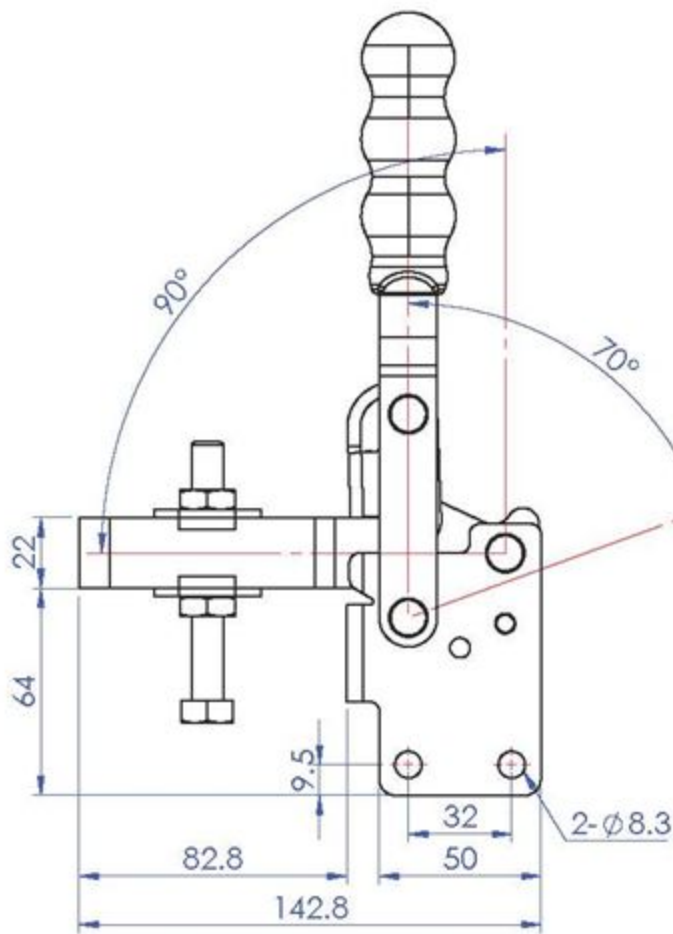
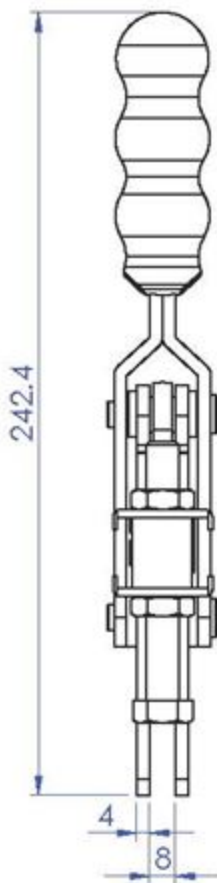
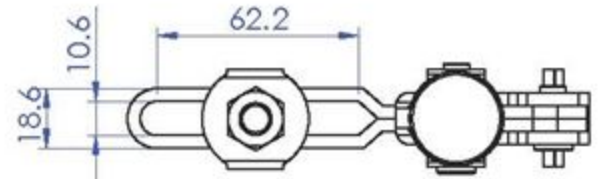
Part No:	GH-12501-C
Holding Capacity:	250Kg
Bar Opens:	90° / 150°
Handle Opens:	70° / 100°
Weight:	0.429Kg
Spindle Supplied:	SA-086512



Unit:mm
Scale: 1:2

Good Hand UK Ltd	
TITLE:	
DWG NO. GH-12501-C	A4

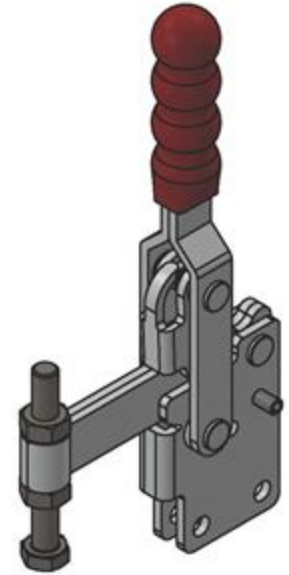
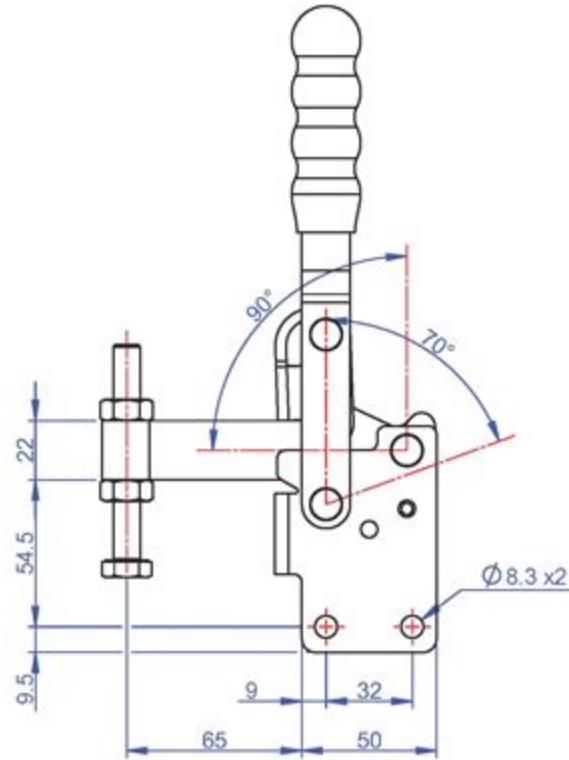
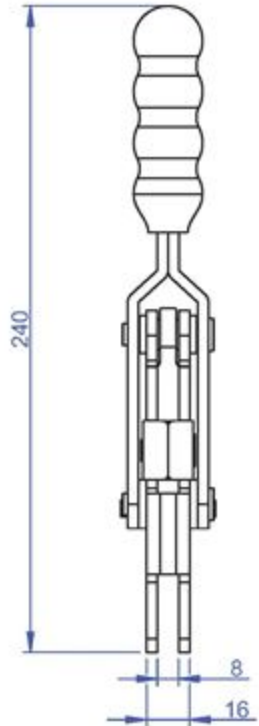
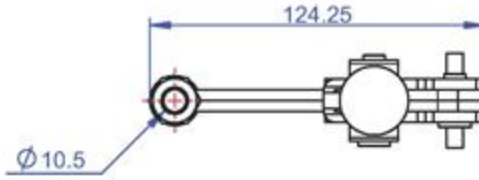
Part No:	GH-13501-B
Holding Capacity:	350Kg
Bar Opens:	90° / 180°
Handle Opens:	70° / 100°
Weight:	0.893Kg
Spindle Supplied:	SA-107515
Flanged Washers:	FW-380



Unit:mm
Scale: 1:2

Good Hand UK Ltd	
TITLE:	
DWG NO.	GH-13501-B
	A4

Part No:	GH-13501-C
Holding Capacity:	350 Kg
Bar Opens:	90° / 180°
Handle Opens:	70° / 100°
Weight:	0.86 Kg
Spindle Supplied:	SA-108015



Drawing Scale:1:2.5
Unit:mm

Good Hand UK Ltd

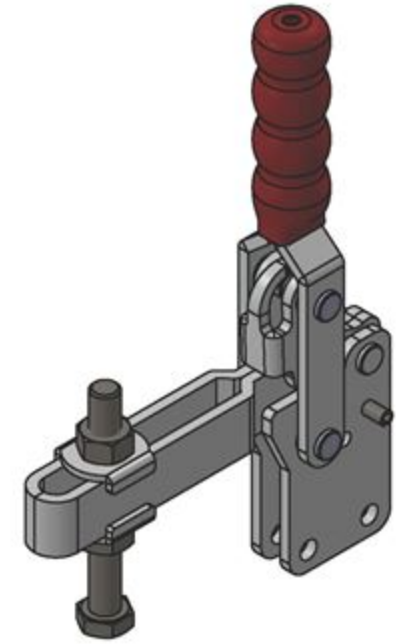
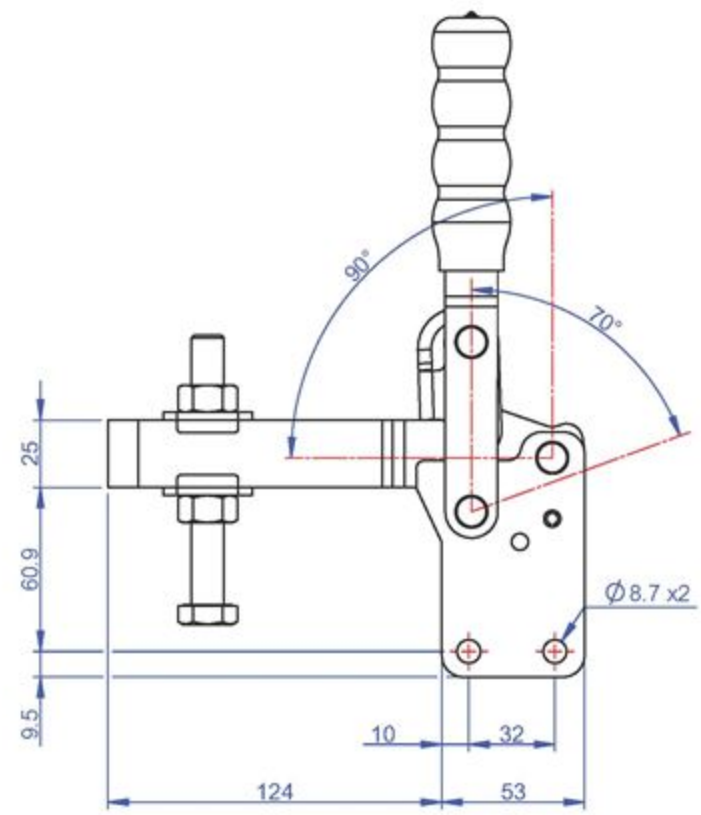
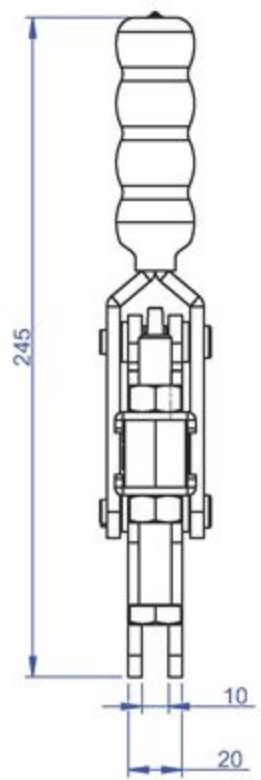
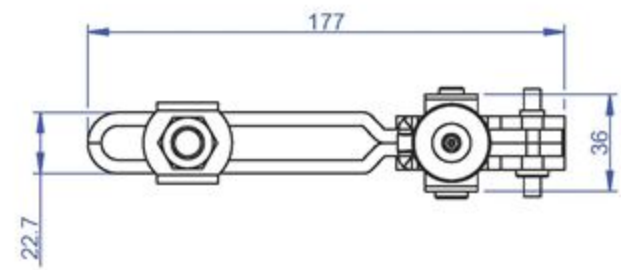
TITLE:

DWG NO.

GH-13501-C

A4

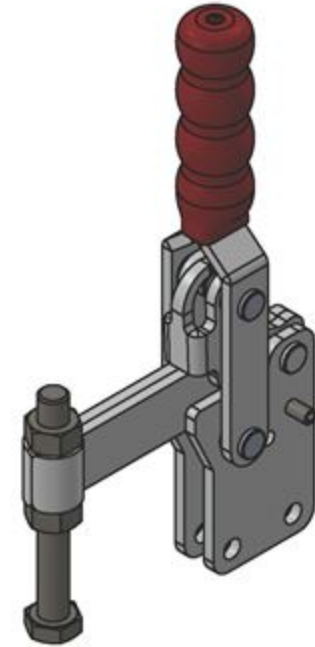
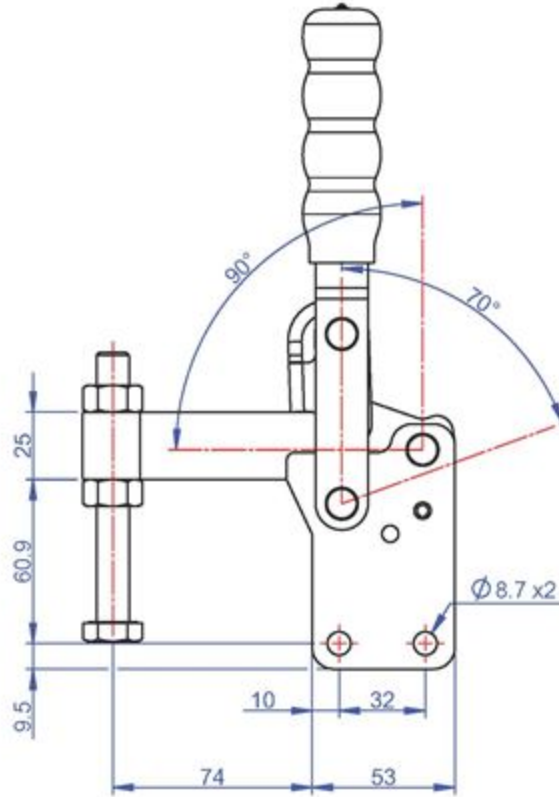
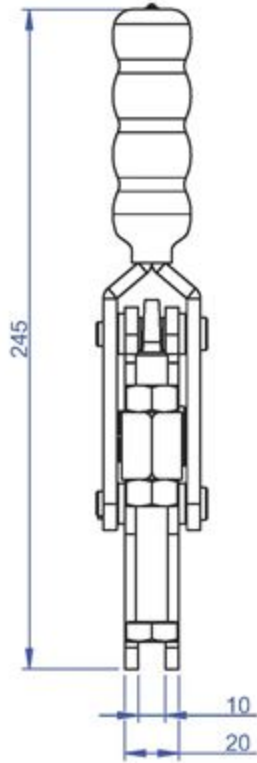
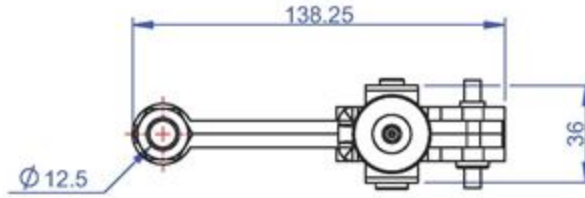
Part No:	GH-14501-B
Holding Capacity:	450 Kg
Bar Opens:	90° /125°
Handle Opens:	70° /85°
Weight:	1.3 Kg
Spindle Supplied:	SA-121017
Flanged Washers:	FW-120



Drawing Scale:1:2.5
Unit:mm

Good Hand UK Ltd	
TITLE:	
DWG NO.	GH-14501-B
	A4

Part No:	GH-14501-C
Holding Capacity:	450 Kg
Bar Opens:	90° /125°
Handle Opens:	70° /85°
Weight:	1.2 Kg
Spindle Supplied:	SA-121017



Drawing Scale:1:2.5
Unit:mm

Good Hand UK Ltd

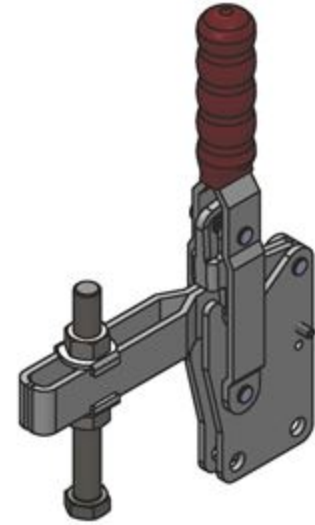
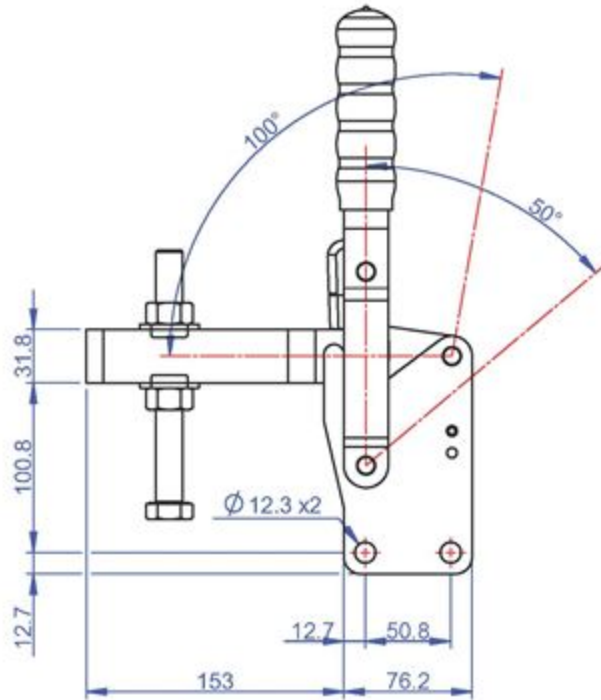
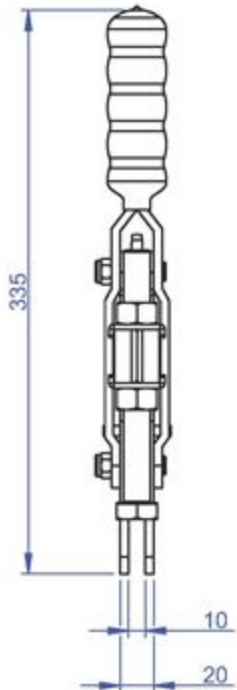
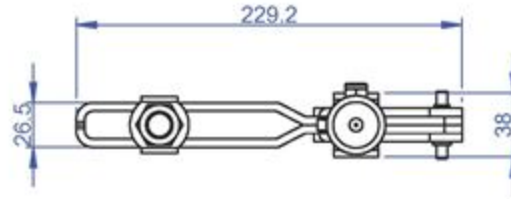
TITLE:

DWG NO.

GH-14501-C

A4

Part No:	GH-15501-B
Holding Capacity:	550 Kg
Bar Opens:	100° / 140°
Handle Opens:	50° / 60°
Weight:	2.5 Kg
Spindle Supplied:	SA-161520
Flanged Washers:	FW-120



Drawing Scale: 1:4
Unit: mm

Good Hand UK Ltd

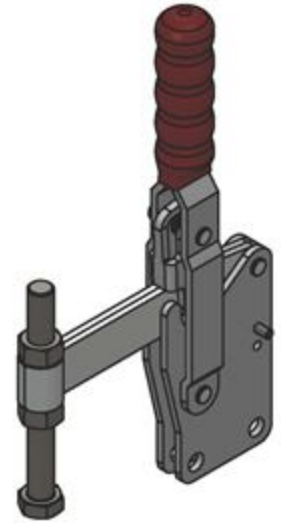
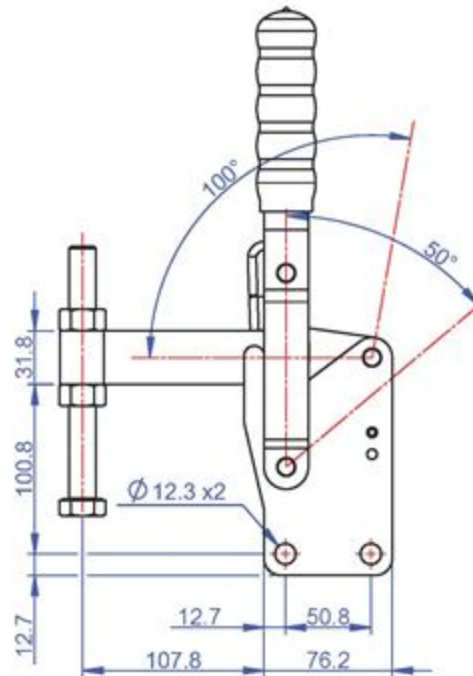
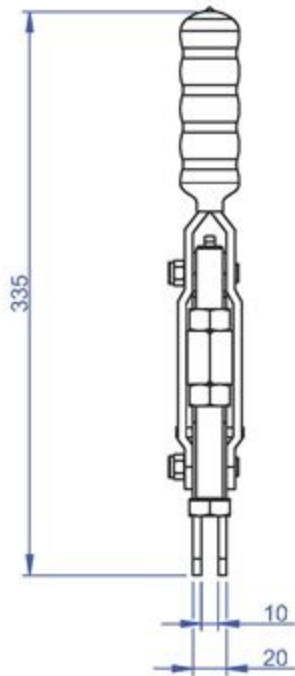
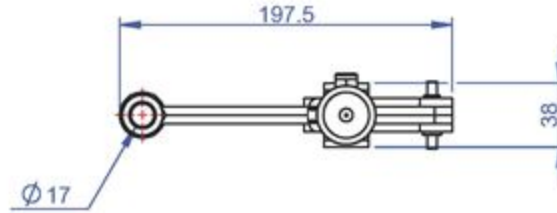
TITLE:

DWG NO.

GH-15501-B

A4

Part No:	GH-15501-C
Holding Capacity:	550 Kg
Bar Opens:	100° / 140°
Handle Opens:	50° / 60°
Weight:	2.4 Kg
Spindle Supplied:	SA-161520



Drawing Scale: 1:4
Unit: mm

Good Hand UK Ltd

TITLE:

DWG NO.

GH-15501-C

A4