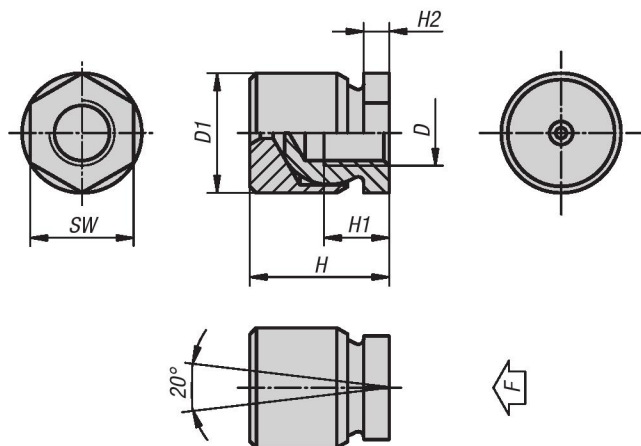




Swivel Pads

INCH
Parts

METRIC
Parts

**Material:**

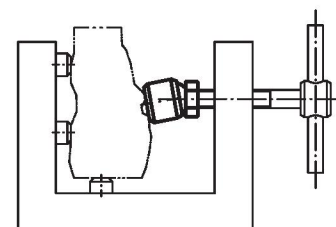
Ball element in case-hardened free-cutting steel,
pressure pad in free-cutting steel ETG 100

Type:

Black oxide finish.

Part Number Example:

K0304.A1



KIPP Swivel Pads, inch

Item No.	D	D1	H	H1	H2	SW	F max. N
K0304.A1	10-32	13	16.5	6.5	4	10	1620
K0304.A2	1/4-20	13	16.5	8.5	4	10	2330
K0304.A3	5/16-18	16	21	9	4	13	4150
K0304.A4	3/8-16	19	23	10	4	17	6480
K0304.A5	1/2-13	22	25.5	12	4.7	19	8320
K0304.A6	5/8-11	25	29.5	14	5	24	13940
K0304.A7	3/4-10	32	36	18	8.5	30	21000

KIPP Swivel Pads, metric

Item No.	D	D1	H	H1	H2	SW	F max. N
K0304.05	M5	13	16,5	6,5	4	10	1620
K0304.06	M6	13	16,5	8,5	4	10	2330
K0304.08	M8	16	21	9	4	13	4150
K0304.10	M10	19	23	10	4	17	6480
K0304.12	M12	22	25,5	12	4,7	19	8320
K0304.16	M16	25	29,5	14	5	24	13940
K0304.20	M20	32	36	18	8,5	30	21000