

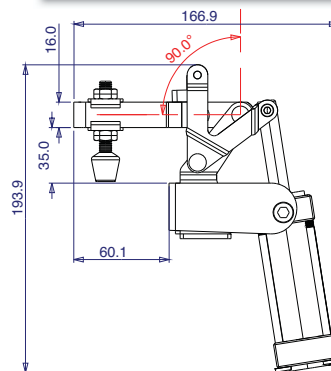
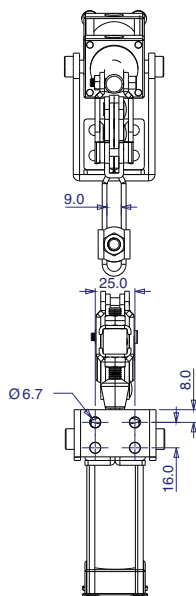








► Pneumatic Toggle Clamps



<b>Part No:</b>	<b>GH-20820-A</b>
Holding Force:	250Kg
Arm Opens:	90°
Weight:	4.40Kg
Spindle Supplied:	FC-56212
Flanged Washers Supplied:	FW-516
Optional Magnetic Sensors:	MT-22
Air Connection Size:	1/8 BSP

► Sensor Switch Pair



<b>Part No:</b>	<b>MT-22</b>
For all clamps except GH-10247-A	

► Sensor Switch Pair for 50mm Bore



<b>Part No:</b>	<b>SH-22</b>
For GH-10247-A only	

