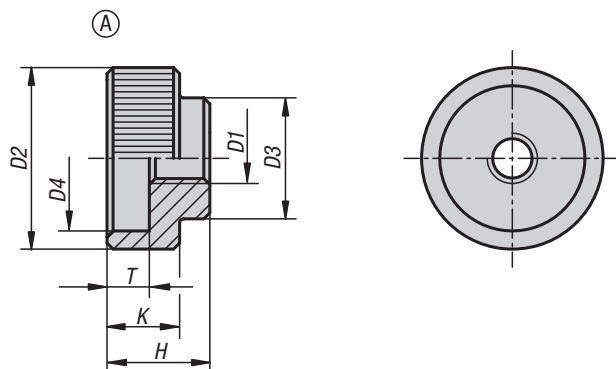


K0137

Knurled nuts

steel and stainless steel, DIN 6303



Material:

Free-cutting steel 1.0718.
Stainless steel 1.4305.

Version:

Free-cutting steel, black oxidised.
Stainless steel bright.

Sample order:

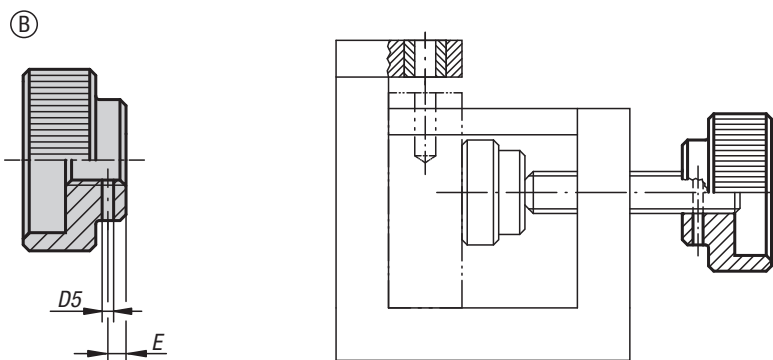
K0137.108

Drawing reference:

Form A: without pin hole

Form B: with pin hole

- Drill through and ream pin hole during assembly.



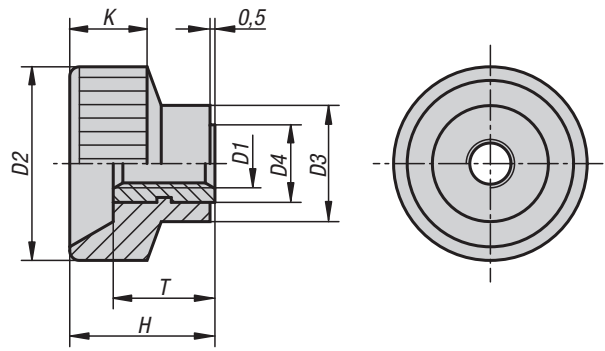
KIPP Knurled nuts, steel and stainless steel, DIN 6303

Order No.	Form	Main material	D1	D2	D3	D4	D5 predrilled	E	H	K	T	suitable dowel pin ISO 2338
K0137.105	A	Free-cutting steel	M5	20	14	15	-	-	12	8	5	-
K0137.106	A	Free-cutting steel	M6	24	16	18	-	-	14	10	6	-
K0137.108	A	Free-cutting steel	M8	30	20	24	-	-	17	12	7	-
K0137.110	A	Free-cutting steel	M10	36	28	30	-	-	20	14	8	-
K0137.112	A	Free-cutting steel	M12	40	32	34	-	-	24	16	10	-
K0137.1052	A	Stainless steel	M5	20	14	15	-	-	12	8	5	-
K0137.1062	A	Stainless steel	M6	24	16	18	-	-	14	10	6	-
K0137.1082	A	Stainless steel	M8	30	20	24	-	-	17	12	7	-
K0137.1102	A	Stainless steel	M10	36	28	30	-	-	20	14	8	-
K0137.1122	A	Stainless steel	M12	40	32	34	-	-	24	16	10	-
K0137.205	B	Free-cutting steel	M5	20	14	15	1,4	2,5	12	8	5	1,5 M6X14
K0137.206	B	Free-cutting steel	M6	24	16	18	1,4	2,5	14	10	6	1,5 M6X16
K0137.208	B	Free-cutting steel	M8	30	20	24	1,9	3	17	12	7	2 M6X20
K0137.210	B	Free-cutting steel	M10	36	28	30	2,9	4	20	14	8	3 M6X28
K0137.212	B	Free-cutting steel	M12	40	32	34	3,9	4	24	16	10	4 M6X32

K0138

Knurled nuts

plastic



Material:
Black Duroplast PF 31.
Tapped bush brass.

Version:
Tapped bush nickel-plated.

Sample order:
K0138.08

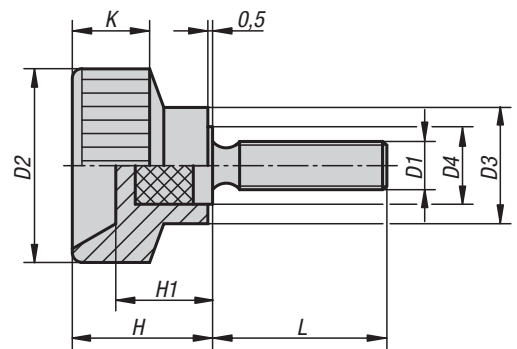
KIPP Knurled nuts plastic

Order No.	D1	D2	D3	D4	H	K	T
K0138.04	M4	18	10	7	13	8	9
K0138.05	M5	20	12	8	14	8	10
K0138.06	M6	24	13	9	16	9	10
K0138.08	M8	30	15	11	18	11	11
K0138.10	M10	35	18	14	19	12	11

K0141

Knurled screws

plastic



Material:
Black Duroplast PF 31.
Screw steel.

Version:
Screw galvanized.

Sample order:
K0141.05X25 (include length L)

KIPP Knurled screws, plastic

Order No.	L	D1	D2	D3	D4	H	H1	K
K0141.04X	15/20	M4	18	10	7	13,5	9	8
K0141.05X	10/18/25	M5	20	12	8	14,5	10	8
K0141.06X	20/28	M6	24	13	10	15	9,5	9
K0141.08X	25/32	M8	30	15	12	18	11	11
K0141.10X	30	M10	35	18	14	18,5	11	12

Knurled nuts quick-acting

**Material:**

Carbon steel.

Version:

Tempered and black oxidised.

Sample order:

K0139.08

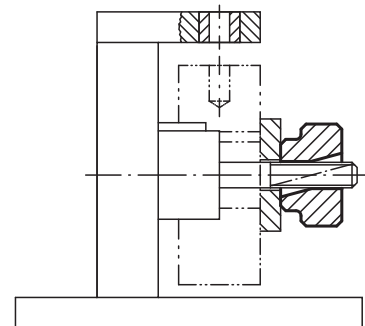
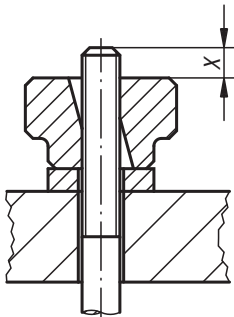
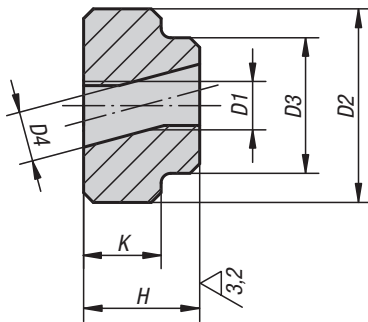
Note:

Quick-acting knurled nuts are mainly used in applications where no high clamping pressures are required.

Tilt the nut to slide on, then straighten it to engage the threads.

Drawing reference:

X: The stud should be several mm longer than height "H"

**KIPP Knurled nuts quick-acting**

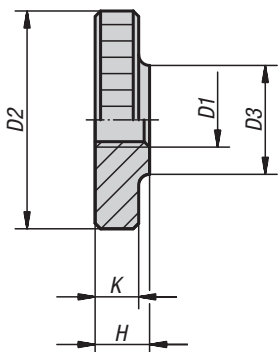
Order No.	D1	D2	D3	D4	H	K
K0139.05	M5	20	14	5,2	12	8
K0139.06	M6	24	16	6,2	14	10
K0139.08	M8	30	20	8,2	17	12
K0139.10	M10	36	28	10,3	20	14
K0139.12	M12	40	32	12,3	24	16

K0144



Knurled nuts flat

steel and stainless steel, DIN 467



Material:
Free-cutting steel 1.0718.
Stainless steel 1.4305.

Version:
Steel black oxidised.
Stainless steel bright.

Sample order:
K0144.042

Note:
M12 flat knurled nuts are not included in the official standards sheet.

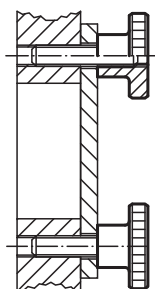
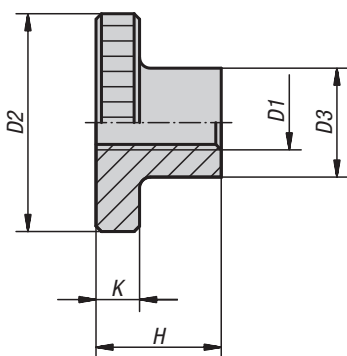
KIPP Knurled nuts flat, steel and stainless steel, DIN 467

Order No. Free-cutting steel	Order No. Stainless steel	D1	D2	D3	H	K
K0144.04	K0144.042	M4	16	8	4	3,5
K0144.05	K0144.052	M5	20	10	5	4
K0144.06	K0144.062	M6	24	12	6	5
K0144.08	K0144.082	M8	30	16	8	6
K0144.10	K0144.102	M10	36	20	10	8
K0144.12	K0144.122	M12	36	20	10	8

K0143

Knurled nuts high form

steel and stainless steel, DIN 466



Material:
Free-cutting steel 1.0718.
Stainless steel 1.4305.

Version:
Steel black oxidised.
Stainless steel bright.

Sample order:
K0143.04

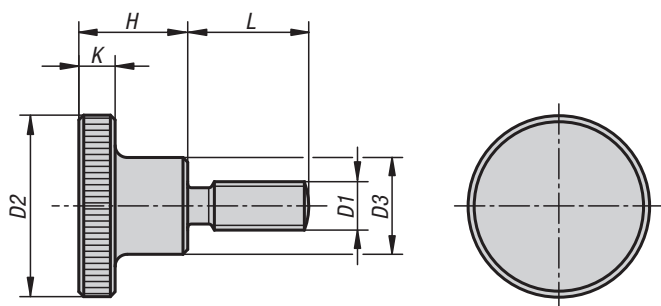
Note:
M12 high knurled nuts are not included in the official standards sheet.

KIPP High form knurled nuts, steel and stainless steel, DIN 466

Order No. Free-cutting steel	Order No. Stainless steel	D1	D2	D3	H	K
K0143.04	K0143.042	M4	16	8	9,5	3,5
K0143.05	K0143.052	M5	20	10	11,5	4
K0143.06	K0143.062	M6	24	12	15	5
K0143.08	K0143.082	M8	30	16	18	6
K0143.10	K0143.102	M10	36	20	23	8
K0143.12	K0143.122	M12	36	20	23	8

Knurled screws high

steel and stainless steel, DIN 464



Material:

Free-cutting steel 1.0718.
Stainless steel 1.4305.

Version:

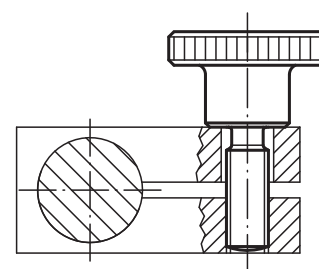
Free-cutting steel, black oxidised.
Stainless steel bright.

Sample order:

K0140.06X20 (include length L)

Note:

* By these lengths the thread has no undercut at the shoulder.



KIPP Knurled screws high, steel and stainless steel, DIN 464

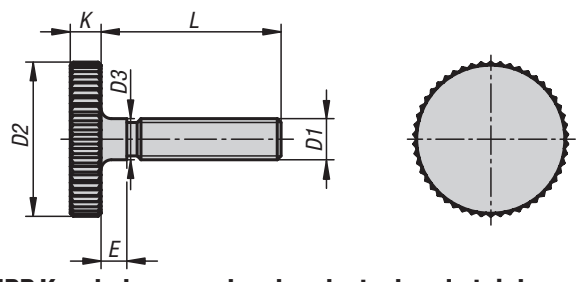
Order No. Free-cutting steel	Order No. Stainless steel	D1	D2	D3	L	H	K
K0140.04X	K0140.042X	M4	16	8	10/16/20*	9,5	3,5
K0140.05X	K0140.052X	M5	20	10	10/16/20	11,5	4
K0140.06X	K0140.062X	M6	24	12	10/16/20/25*	15	5
K0140.08X	K0140.082X	M8	30	16	16/20/25/30*	18	6
K0140.10X	K0140.102X	M10	36	20	20/25/30/40*	23	8

K1163



Knurled screws low head

steel and stainless steel, DIN 653



Material:
Steel or stainless steel (A 1).

Version:
Steel grade 5.8, bright;
Stainless steel, bright.

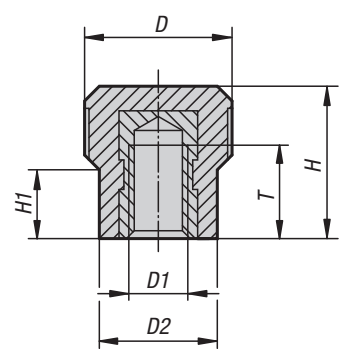
Sample order:
K1163.062X20 (include length L)

KIPP Knurled screws low head, steel and stainless steel, DIN 653

Order No.	Main material	D1	D2	D3	E	K	L
K1163.03X	steel	M3	12	3	2	2,5	10/12/16
K1163.04X	steel	M4	16	4	3	3,5	8/10/12/16/20
K1163.05X	steel	M5	20	5	3	4	10/12/16/20/25/30
K1163.06X	steel	M6	24	6	4	5	12/16/20/25/30/35/40
K1163.08X	steel	M8	30	8	5	6	16/20/25/30/35/40
K1163.10X	steel	M10	36	10	6	8	20/25/30/35/40
K1163.032X	stainless steel	M3	12	3	2	2,5	10/12/16
K1163.042X	stainless steel	M4	16	4	3	3,5	8/10/12/16/20
K1163.052X	stainless steel	M5	20	5	3	4	10/12/16/20/25/30
K1163.062X	stainless steel	M6	24	6	4	5	12/16/20/25/30/35/40
K1163.082X	stainless steel	M8	30	8	5	6	16/20/25/30
K1163.102X	stainless steel	M10	36	10	6	8	20/25/30/40

K0142

Knurled knobs



Material:
Duroplast PF 31, black.
Bush brass.

Version:
High-gloss polished.

Sample order:
K0142.11203

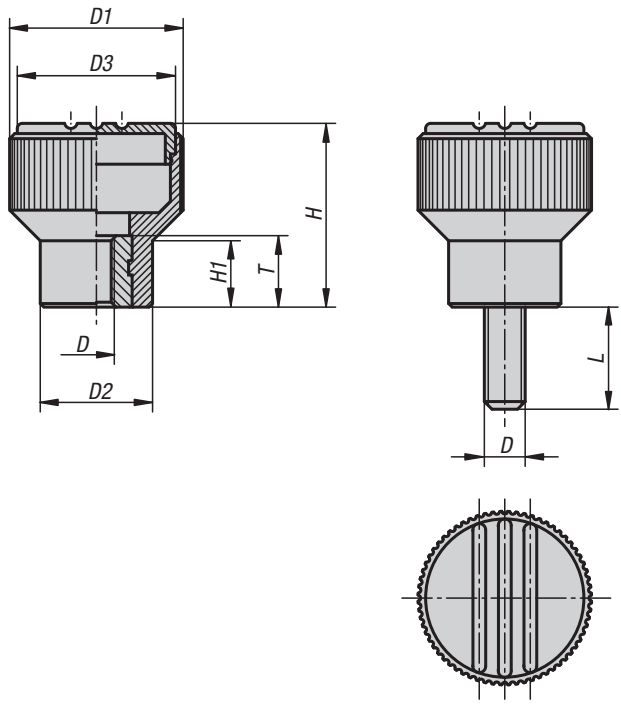
On request:
Other colours.

KIPP Knurled knobs

Order No.	D	D1	D2	H	H1	T
K0142.11203	12	M3	10	13,5	6	6,5
K0142.11204	12	M4	10	13,5	6	10
K0142.11504	15	M4	12	15,5	7	10
K0142.11505	15	M5	12	15,5	7	10
K0142.11506	15	M6	12	15,5	7	9

K0247

Knurled knobs



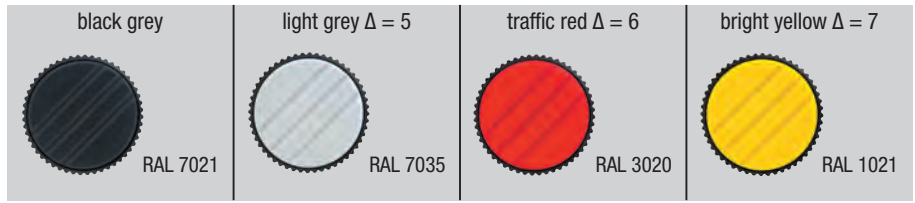
These handy knurled knobs are amazing: optimal ergonomics, raised edge serrations and an optimized design continually open new markets and increase the aesthetic and safety related profile of every product.

Material:
Thermoplastic, black grey.
Bush and threaded pin steel 5.8 or stainless steel 1.4305.

Version:
Blue passivated steel or bright stainless steel.

Sample order:
K0247.01056X20
(Cap colour traffic red. Include length L)

Note:
Δ Add the desired cap colour code here. No colour code is required for black grey caps.



KIPP Knurled knobs with internal thread

Order No. Steel	Order No. Stainless steel	Size	D	D1	D2	D3	H	H1	T
K0247.104Δ	K0247.0104Δ	1	M4	21	14	19	22	8	10
K0247.105Δ	K0247.0105Δ	1	M5	21	14	19	22	8	10
K0247.106Δ	K0247.0106Δ	1	M6	21	14	19	22	8	10
K0247.208Δ	K0247.0208Δ	2	M8	26	18	23	26	9,5	14
K0247.308Δ	K0247.0308Δ	3	M8	34	22	31	36	13	14
K0247.310Δ	K0247.0310Δ	3	M10	34	22	31	36	13	14

KIPP Knurled knobs with external thread

Order No. Steel	Order No. Stainless steel	Size	D	D1	D2	D3	H	H1	L
K0247.105ΔX	K0247.0105ΔX	1	M5	21	14	19	22	8	10/12/15/20/25
K0247.106ΔX	K0247.0106ΔX	1	M6	21	14	19	22	8	15/20/25/30
K0247.208ΔX	K0247.0208ΔX	2	M8	26	18	23	26	9,5	20/25/30/40
K0247.310ΔX	K0247.0310ΔX	3	M10	34	22	31	36	13	20/30/40

K0247

Knurled knobs biopolymer



Material:

Biopolymer, beech.
Bush or threaded pin steel 5.8

Version:

Steel blue passivated.
Natural beech with beech fibres or coloured black grey.

Sample order:

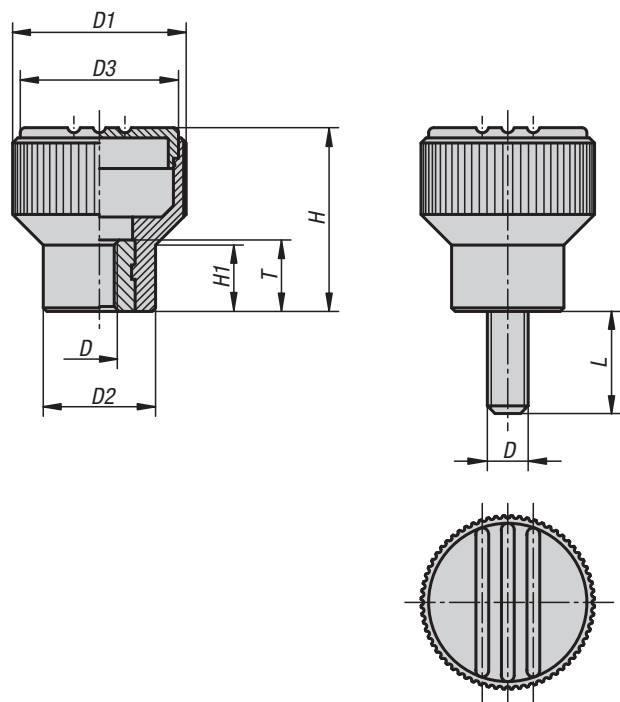
K0247.1010490

Advantages:

This biopolymer is manufactured entirely from renewable raw materials (oil free).
Conservation of finite fossil resources.
The wood fibres originate 100% from local forests in Germany.
PEFC certified (guarantees that wood products originate from sustainably managed forests).

Features:

Excellent mechanical stability (certified with a minimum of 2x safety factor).
Biopolymer is suitable for recycling (comparable to thermoplastics).
Suitable for outdoor use (not biodegradable).
Excellent resistance to strong acids and lyes.
Short-term resistance to alcohol, fuel, mineral oil and grease.



KIPP Knurled knobs biopolymer internal thread

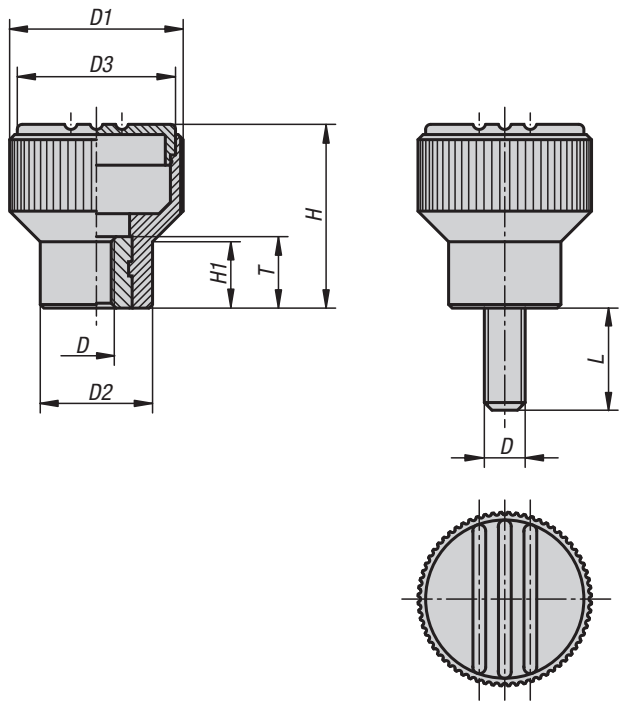
Order No.	Main colour	Size	D	D1	D2	D3	H	H1	T
K0247.10104143	natural beech	1	M4	21	14	19	22	8	10
K0247.10105143	natural beech	1	M5	21	14	19	22	8	10
K0247.10106143	natural beech	1	M6	21	14	19	22	8	10
K0247.1010490	black grey RAL 7021	1	M4	21	14	19	22	8	10
K0247.1010590	black grey RAL 7021	1	M5	21	14	19	22	8	10
K0247.1010690	black grey RAL 7021	1	M6	21	14	19	22	8	10

KIPP Knurled knobs biopolymer external thread

Order No.	Main colour	Size	D	D1	D2	D3	H	H1	L
K0247.10105143X10	natural beech	1	M5	21	14	19	22	8	10
K0247.10106143X15	natural beech	1	M6	21	14	19	22	8	15
K0247.1010590X10	black grey RAL 7021	1	M5	21	14	19	22	8	10
K0247.1010690X15	black grey RAL 7021	1	M6	21	14	19	22	8	15

K0247

Knurled knobs antistatic



Material:

Thermoplastic, graphite black.
Bush or screw steel 5.8.

Version:

Screw blue passivated.

Sample order:

K0247.1110624

Application:

Sensitive electrical or electronic equipment, components and devices (ESD sensitive elements) may be damaged or destroyed by electrostatic discharges (ESD) in the immediate vicinity. Electrostatic discharges can come from people or through handling ESD sensitive components (e.g. during production, assembly, transport, storage etc). Electrically conductive products which conform to DIN EN 61340-5-1 are essential within electronic environments to prevent an electrostatic discharge. These products can be used for ESD applications or in ESD protection areas (EPA) in accordance with DIN EN 61340-5-1. The yellow ESD logo is printed on the side of the product to clearly identify it.

Safety:

These ESD products can also be used for devices, components and protection systems in areas with high risk of explosion. Use of these ESD products prevents the occurrence of electrostatic spark discharges, eliminating the potential ignition of gases and dusts which could lead to explosions in enclosed spaces. Manufacturers and operators must use and conform to ATEX directives for the protection of persons working in areas with high risk of explosion. These ESD products are certified by TÜV-Süd in relation to their electrical discharge capability.

Target groups:

Device manufacturers required to conform to ATEX product directive 2014/34/EU.
Operators required to conform to ATEX worker protection directive 1999/92/EC.

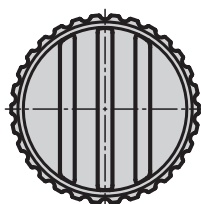
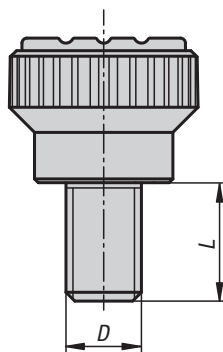
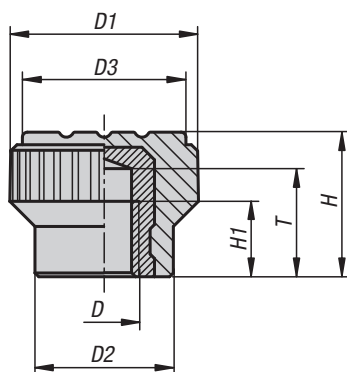
KIPP Knurled knobs antistatic with internal thread

Order No.	Size	D	D1	D2	D3	H	H1	T
K0247.1110624	1	M6	21	14	19	22	8	10

KIPP Knurled knobs antistatic with external thread

Order No.	Size	D	D1	D2	D3	H	H1	L
K0247.1110624X15	1	M6	21	14	19	22	8	15

Knurled knobs

**Material:**

Grip black grey thermoplastic.

Bush brass or stainless steel 1.4305.

Screw steel 5.8 or stainless steel 1.4305.

Version:

Steel blue passivated.

Stainless steel, bright.

Sample order:

K0110.005X12 (include length L)

On request:

Other colours.

KIPP Knurled knobs with internal thread

Order No.	Version	D	D1	D2	D3	H	H1	T
K0110.003	Bush brass	M3	15	11	13	11,5	4,5	8,6
K0110.004	Bush brass	M4	15	11	13	11,5	6	8,6
K0110.005	Bush brass	M5	15	11	13	11,5	6	8,6
K0110.0003	Bush stainless steel	M3	15	11	13	11,5	4,5	8,6
K0110.0004	Bush stainless steel	M4	15	11	13	11,5	6	8,6
K0110.0005	Bush stainless steel	M5	15	11	13	11,5	6	8,6

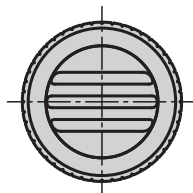
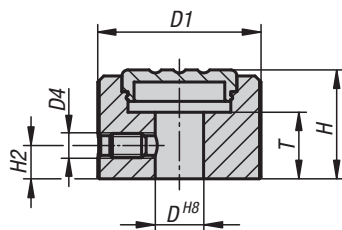
KIPP Knurled knobs with external thread

Order No.	Version	D	D1	D2	D3	H	L
K0110.003X	Pin steel	M3	15	11	13	11,5	8/10/12/15
K0110.004X	Pin steel	M4	15	11	13	11,5	8/10/12/15
K0110.005X	Pin steel	M5	15	11	13	11,5	10/12/15/20
K0110.006X	Pin steel	M6	15	11	13	11,5	10/15/20/25
K0110.0003X	Pin stainless steel	M3	15	11	13	11,5	8/10/12/15
K0110.0004X	Pin stainless steel	M4	15	11	13	11,5	8/10/12/15
K0110.0005X	Pin stainless steel	M5	15	11	13	11,5	10/12/15/20
K0110.0006X	Pin stainless steel	M6	15	11	13	11,5	10/15/20/25

K1099

Knurled knobs

aluminium



Material:

Body aluminium.
Cap thermoplastic PA6.
Grub screw stainless steel.

Version:

Body black anodized.
Cap light grey RAL 7035.
Grub screw bright.

Sample order:

K1099.27085

On request:

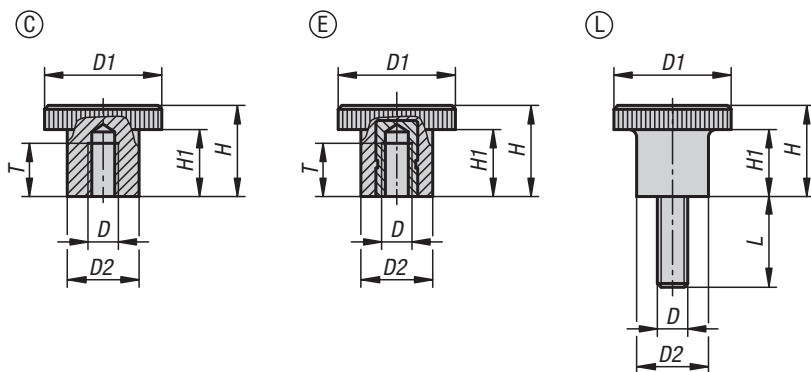
Other internal threads, colours and special versions.

KIPP Knurled knobs aluminium

Order No.	D	D1	D4	H	H2	T
K1099.27085	8	27	M4	18	5,5	11
K1099.27105	10	27	M4	18	5,5	11
K1099.34105	10	34	M5	21	7	11
K1099.34125	12	34	M5	21	7	11
K1099.42125	12	42	M5	24,5	8,5	15
K1099.42145	14	42	M5	24,5	8,5	15

K1223

Knurled knobs



Material:

Duroplast PF 31, black.
Screw, steel.
Tapped bush, steel or brass.

Version:

Screw, galvanized.
Tapped bush, galvanized or bright brass.

Sample order:

K1223.302205X10

Drawing reference:

Form C: tapped blind hole
Form E: tapped bush
Form L: external thread

KIPP Knurled knobs with internal thread

Order No.	Form	Component material	D	D1	D2	H	H1	T
K1223.102206	C	plastic	M6	22	12	13	6	7,5
K1223.102606	C	plastic	M6	26	17	20	14	9
K1223.212205	E	brass	M5	22	12	13	6	6
K1223.202606	E	steel	M6	26	17	20	14	10
K1223.202608	E	steel	M8	26	17	20	14	12

KIPP Knurled knobs with external thread

Order No.	Form	Component material	D	D1	D2	H	H1	L
K1223.302205X	L	steel	M5	22	12	13	6	10/15/20
K1223.302206X	L	steel	M6	22	12	13	6	10/15/20/30
K1223.302606X	L	steel	M6	26	15	13	6	10/15/20/30
K1223.302608X	L	steel	M8	26	15	13	6	15/20/30

Knurled knob

for hex head screws



Material:

Thermoplastic.

Version:

Black or orange.

Sample order:

K1138.00040 (knurled knob colour black)

Colour code:

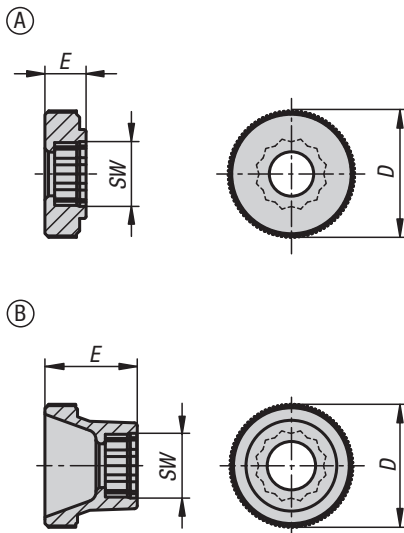
0=black

1=orange

Note:

Suitable screws ISO 4014.

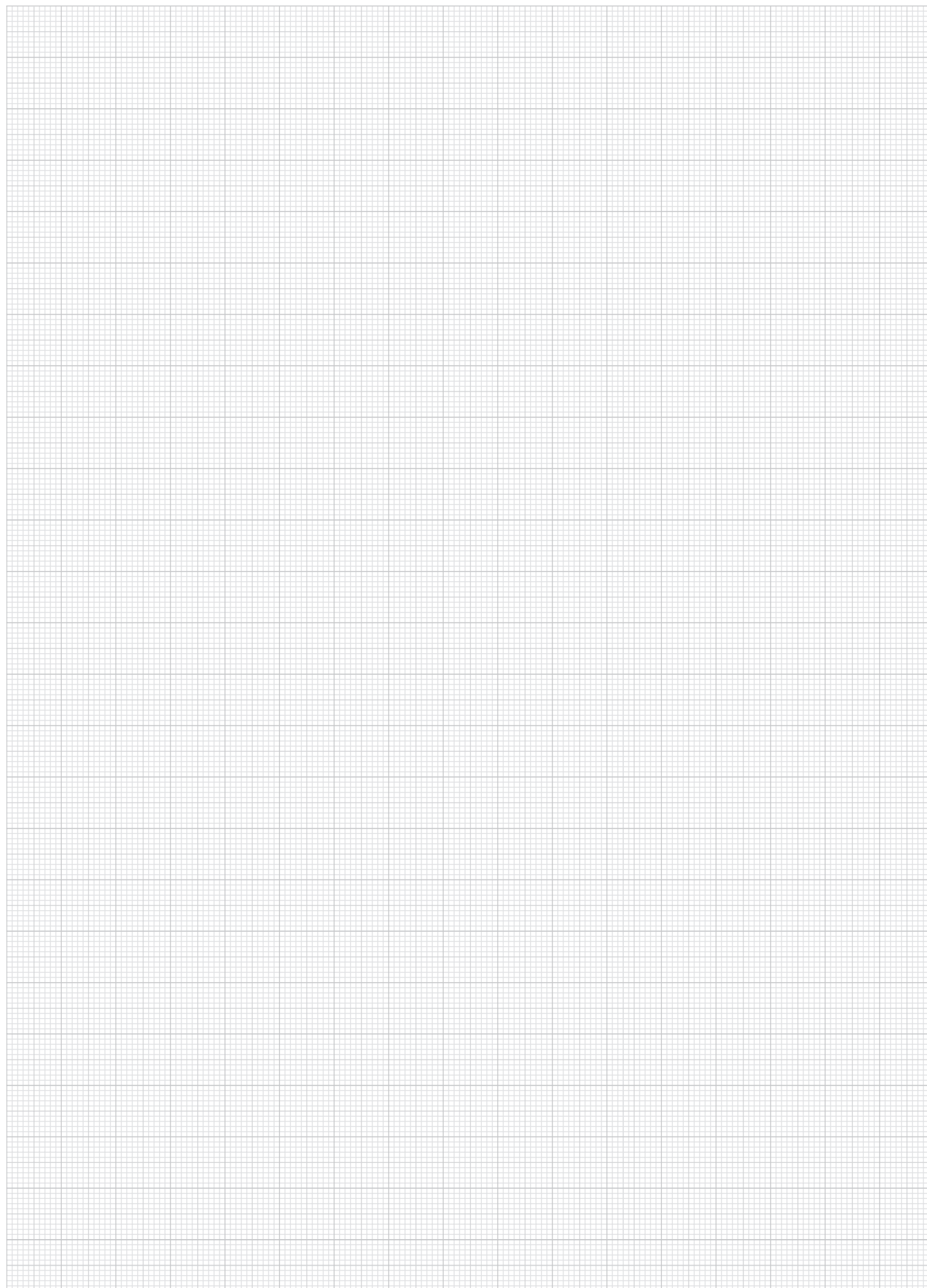
Δ add the desired colour code here



KIPP Knurled knobs for screws with external hex

Order No.	Form	for screws	D	E	SW
K1138.0Δ040	A	M4	17	5,5	7
K1138.0Δ050	A	M5	20	6,5	8
K1138.0Δ060	A	M6	25	8	10
K1138.0Δ080	A	M8	36	10	13
K1138.0Δ100	A	M10	36	10	17
K1138.1Δ040	B	M4	17	11,5	7
K1138.1Δ050	B	M5	20	15	8
K1138.1Δ060	B	M6	25	18	10
K1138.1Δ080	B	M8	36	23	13
K1138.1Δ100	B	M10	36	23	17

Notes



K0680

Knurled heads

for hexagon socket screws



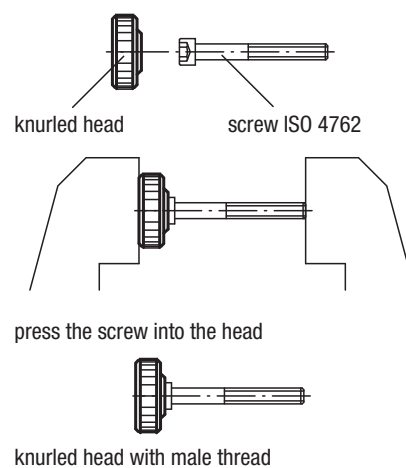
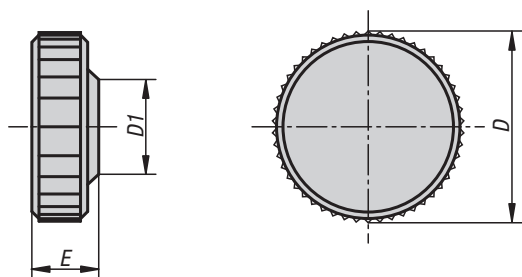
Material:
Thermoplastic.

Version:
Black, grey or red.

Sample order:
K0680.0506 (knurled head colour red)
Colour code:
5 = grey
6 = red

Note:
Suitable screws ISO 4762.

Δ Add the desired colour code here.
No colour code is required for black.



KIPP Knurled heads for hexagon socket screws

Order No.	D	D1	E	for hexagon socket screw
K0680.030Δ	9,5	8,3	4,5	M3
K0680.040Δ	13	9,6	5	M4
K0680.050Δ	16	11,5	6,5	M5
K0680.060Δ	19	14	7,5	M6
K0680.061Δ	26	13	8	M6
K0680.080Δ	26	16	10	M8

K0681

Wing grips

for hexagon socket screws

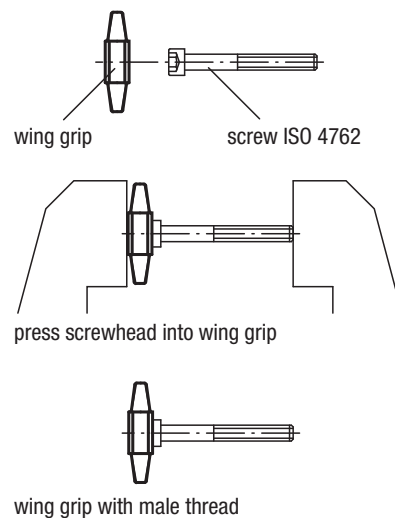
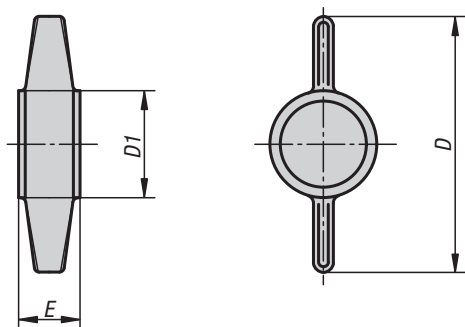


Material:
Thermoplastic.

Version:
Black, grey or red.

Sample order:
K0681.0506 (wing grip colour red)
Colour code:
5 = grey
6 = red
Δ Add the desired colour code here.
No colour code is required for black grips.

Note:
Suitable screws ISO 4762.



KIPP Wing grips for hexagon socket screws

Order No.	D	D1	E	for hexagon socket screw
K0681.050Δ	26	12	7	M5
K0681.060Δ	30	13,5	8	M6
K0681.080Δ	38	17	10	M8
K0681.100Δ	45	20	12,5	M10

K0145

Palm grips

aluminium, similar to DIN 6335



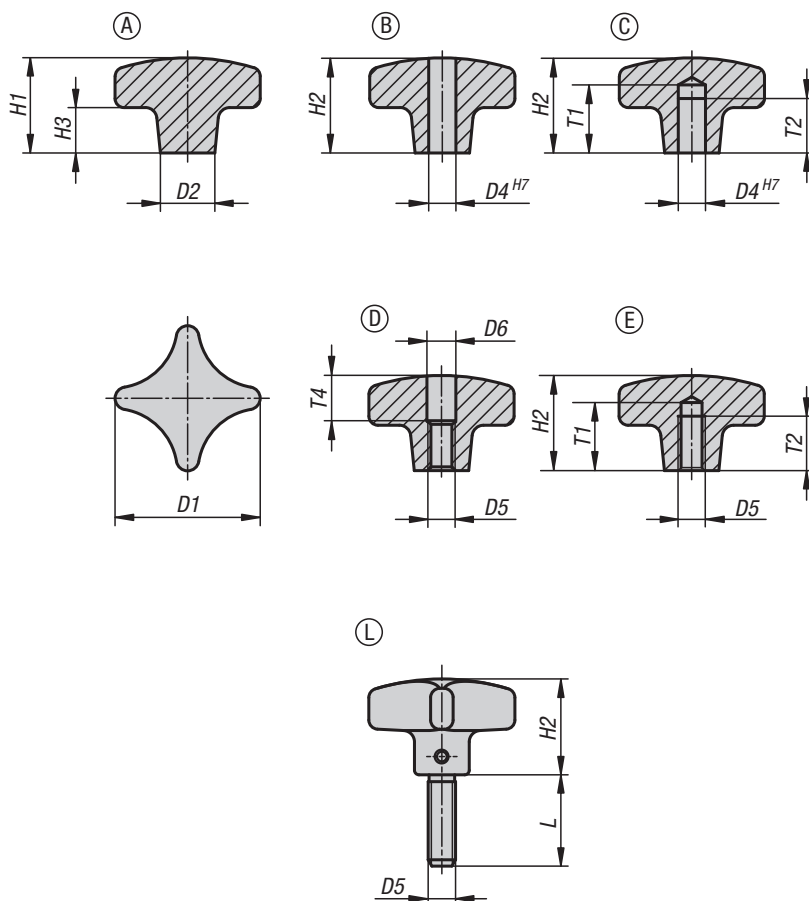
Material:
 Aluminium.
 Grub screw stainless steel 1.4305.
 Pin stainless steel 1.4310.

Version:
 Vibratory ground or ground and polished.
 Grub screw and pin bright.

Sample order:
 K0145.104008

On request:
 Blank palm grips (not tumbled).

Drawing reference:
 Form A: blank
 Form B: drilled through
 Form C: blind hole
 Form D: tapped and counterbored
 Form E: tapped blind hole
 Form L: external thread



KIPP Palm grips aluminium, similar to DIN 6335

Order No.	Version	Form	D1	D2	H1	H3
K0145.104008	tumbled	A	40	14	26	14
K0145.105010	tumbled	A	50	18	34	20
K0145.106312	tumbled	A	63	25	42	25
K0145.108016	tumbled	A	80	25	52	30



Palm grips

aluminium, similar to DIN 6335



KIPP Palm grips similar to DIN 6335, aluminium

Order No. tumbled	Order No. polished	Form	D1	D2	D4	H2
K0145.204008	K0145.2040082	B	40	14	8	25
K0145.205010	K0145.2050102	B	50	18	10	32
K0145.206312	K0145.2063122	B	63	25	12	40
K0145.208016	K0145.2080162	B	80	25	16	50

Order No. tumbled	Order No. polished	Form	D1	D2	D4	H2	T1	T2
K0145.304008	K0145.3040082	C	40	14	8	25	18	15
K0145.305010	K0145.3050102	C	50	18	10	32	21	18
K0145.306312	K0145.3063122	C	63	25	12	40	25	22
K0145.308016	K0145.3080162	C	80	25	16	50	32	28

Order No. tumbled	Order No. polished	Form	D1	D2	D5	D6	H2	T4
K0145.404008	K0145.4040082	D	40	14	M8	8,4	25	12
K0145.405010	K0145.4050102	D	50	18	M10	10,5	32	16
K0145.406312	K0145.4063122	D	63	25	M12	13	40	20
K0145.408016	K0145.4080162	D	80	25	M16	17	50	30

Order No. tumbled	Order No. polished	Form	D1	D2	D5	H2	T1	T2
K0145.504008	K0145.5040082	E	40	14	M8	25	18	15
K0145.505010	K0145.5050102	E	50	18	M10	32	21	18
K0145.506312	K0145.5063122	E	63	25	M12	40	25	22
K0145.508016	K0145.5080162	E	80	25	M16	50	32	28

Order No.	Version	Form	D1	D2	D5	H2	L
K0145.604008X	tumbled	L	40	14	M8	25	20/25/30/40/50
K0145.605010X	tumbled	L	50	18	M10	32	20/25/30/40/50
K0145.606312X	tumbled	L	63	25	M12	40	20/30/40/50

K0146

Palm grips

stainless steel, similar to DIN 6335



Material:

Stainless steel 1.4308.
 Grub screw stainless steel 1.4305.
 Pin stainless steel 1.4310.

Version:

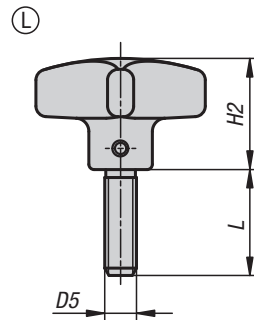
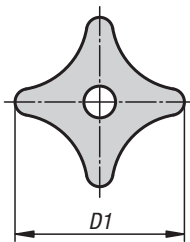
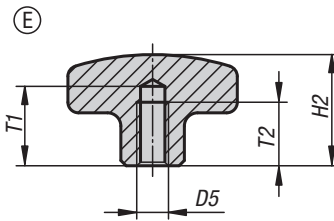
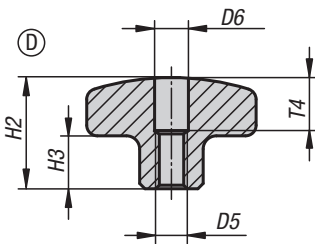
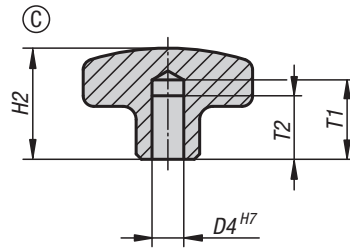
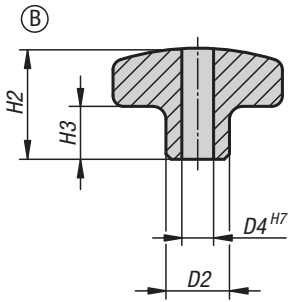
Ground and polished or blasted.
 Grub screw and pin bright.

Sample order:

K0146.2032062

Drawing reference:

Form B: drilled through
 Form C: blind hole
 Form D: tapped and counterbored
 Form E: tapped blind hole
 Form L: external thread



Palm grips

stainless steel, similar to DIN 6335



KIPP Palm grips stainless steel, similar to DIN 6335

Order No. Form B	Order No. Form C	Version	D1	D2	D4	H2	H3	T1	T2
K0146.2032062	K0146.3032062	polished	32	12	6	21	10	-/15	-/12
K0146.2040082	K0146.3040082	polished	40	14	8	26	13	-/18	-/15
K0146.2050102	K0146.3050102	polished	50	18	10	34	17	-/21	-/18
K0146.2063122	K0146.3063122	polished	63	20	12	42	21	-/25	-/22
K0146.2032063	K0146.3032063	blasted	32	12	6	21	10	-/15	-/12
K0146.2040083	K0146.3040083	blasted	40	14	8	26	13	-/18	-/15
K0146.2050103	K0146.3050103	blasted	50	18	10	34	17	-/21	-/18
K0146.2063123	K0146.3063123	blasted	63	20	12	42	21	-/25	-/22

Order No. Form D	Order No. Form E	Version	D1	D2	D5	D6	H2	H3	T1	T2	T4
K0146.4032062	K0146.5032062	polished	32	12	M6	6,4/-	21	10	-/15	-/12	10/-
K0146.4040082	K0146.5040082	polished	40	14	M8	8,4/-	26	13	-/18	-/15	12/-
K0146.4050102	K0146.5050102	polished	50	18	M10	10,5/-	34	17	-/21	-/18	16/-
K0146.4063122	K0146.5063122	polished	63	20	M12	13/-	42	21	-/25	-/22	20/-
K0146.4032063	K0146.5032063	blasted	32	12	M6	6,4/-	21	10	-/15	-/12	10/-
K0146.4040083	K0146.5040083	blasted	40	14	M8	8,4/-	26	13	-/18	-/15	12/-
K0146.4050103	K0146.5050103	blasted	50	18	M10	10,5/-	34	17	-/21	-/18	16/-
K0146.4063123	K0146.5063123	blasted	63	20	M12	13/-	42	21	-/25	-/22	20/-

Order No.	Form	Version	D1	D2	D5	H2	H3	L
K0146.6032063X	L	blasted	32	12	M6	21	10	15/20/25/30/40/50
K0146.6040083X	L	blasted	40	14	M8	26	13	20/25/30/40/50
K0146.6050103X	L	blasted	50	18	M10	34	17	20/25/30/40/50
K0146.6063123X	L	blasted	63	20	M12	42	21	20/30/40/50

K0147

Palm grips

grey cast iron, DIN 6335



Material:

Grey cast iron GJL 200.
 Grub screw stainless steel 1.4305.
 Pin stainless steel 1.4310.

Version:

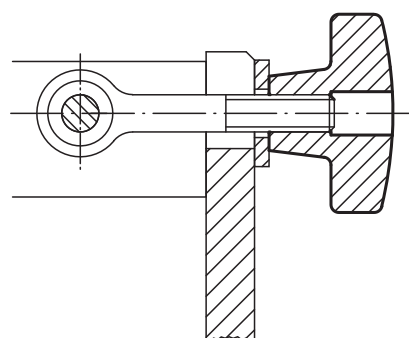
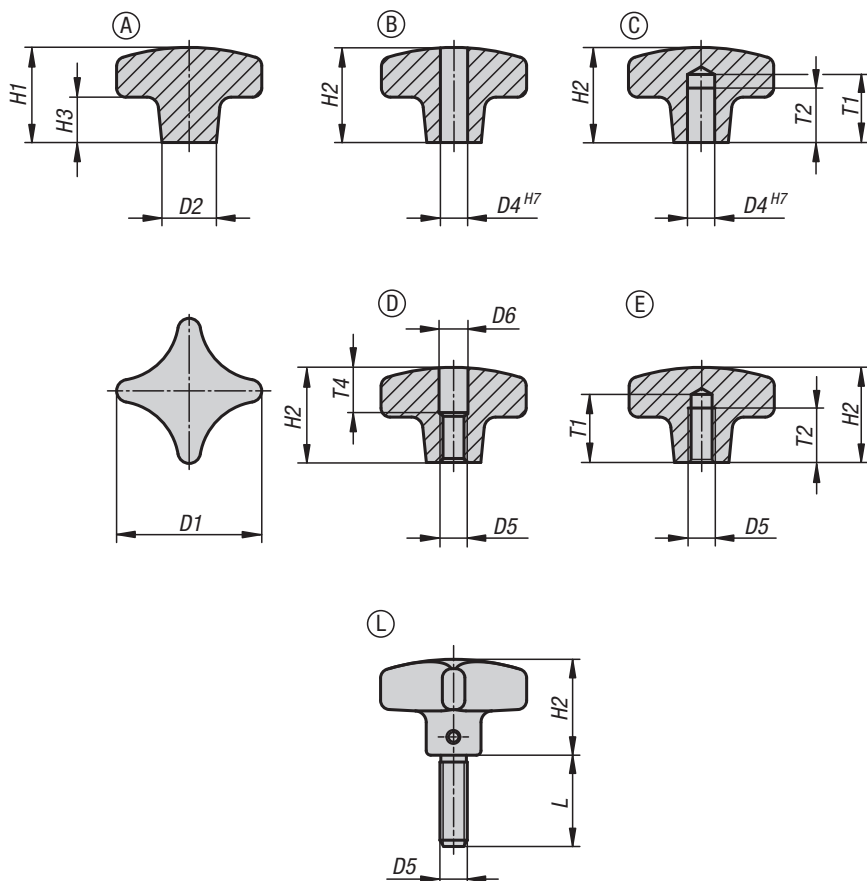
Vibratory ground, bright.
 Grub screw and pin bright.

Sample order:

K0147.106

Drawing reference:

- Form A: blank
- Form B: drilled through
- Form C: blind hole
- Form D: tapped and counterbored
- Form E: tapped blind hole
- Form L: external thread



K0147

Palm grips

grey cast iron, DIN 6335



KIPP Palm grips grey cast iron DIN 6335

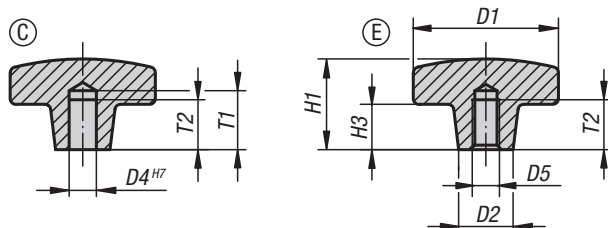
Order No. Form A	Order No. Form B	Version	D1	D2	D4	H1	H2	H3
K0147.106	K0147.206	tumbled	32	12	-/6	21/-	-/20	10/-
K0147.108	K0147.208	tumbled	40	14	-/8	26/-	-/25	14/-
K0147.110	K0147.210	tumbled	50	18	-/10	34/-	-/32	20/-
K0147.112	K0147.212	tumbled	63	20	-/12	42/-	-/40	25/-
K0147.116	K0147.216	tumbled	80	25	-/16	52/-	-/50	30/-
K0147.120	K0147.220	tumbled	100	32	-/20	65/-	-/63	38/-

Order No. Form C	Order No. Form D	Order No. Form E	Version	D1	D2	D4	D5	D6	H2	T1	T2	T4
K0147.306	K0147.406	K0147.506	tumbled	32	12	6/-/	-/M6/M6	-/6,4/-	20/20/20	15/-/15	12/-/12	-/10/-
K0147.308	K0147.408	K0147.508	tumbled	40	14	8/-/	-/M8/M8	-/8,4/-	25/25/25	18/-/18	15/-/15	-/12/-
K0147.310	K0147.410	K0147.510	tumbled	50	18	10/-/	-/M10/M10	-/10,5/-	32/32/32	21/-/21	18/-/18	-/16/-
K0147.312	K0147.412	K0147.512	tumbled	63	20	12/-/	-/M12/M12	-/13/-	40/40/40	25/-/25	22/-/22	-/20/-
K0147.316	K0147.416	K0147.516	tumbled	80	25	16/-/	-/M16/M16	-/17/-	50/50/50	32/-/32	28/-/28	-/30/-
K0147.320	K0147.420	K0147.520	tumbled	100	32	20/-/	-/M20/M20	-/21/-	63/63/63	40/-/40	36/-/36	-/38/-

Order No.	Form	Version	D1	D2	D5	H2	L
K0147.606X	L	tumbled	32	12	M6	20	15/20/25/30/40/50
K0147.608X	L	tumbled	40	14	M8	25	20/25/30/40/50
K0147.610X	L	tumbled	50	18	M10	32	20/25/30/40/50
K0147.612X	L	tumbled	63	20	M12	40	20/30/40/50

Palm grips

plastic coated grey cast iron, DIN 6335


Material:

Grey cast iron GJL 200.

Version:

Plastic coated.

Sample order:

K0682.212

Note:

Available colours:
Pure orange RAL 2004.
Jet black RAL 9005.

Drawing reference:

Form C: blind hole
Form E: tapped blind hole

KIPP Palm grips, plastic coated grey cast iron, DIN 6335

Order No. orange	Order No. black	Form	D1	D2	D4	D5	H1	H3	T1	T2
K0682.108	K0682.208	C	40	14	8	-	26	14	18	15
K0682.110	K0682.210	C	50	18	10	-	34	20	21	18
K0682.112	K0682.212	C	63	20	12	-	42	25	25	22
K0682.116	K0682.216	C	80	25	16	-	52	30	32	28
K0682.308	K0682.408	E	40	14	-	M8	26	14	-	15
K0682.310	K0682.410	E	50	18	-	M10	34	20	-	18
K0682.312	K0682.412	E	63	20	-	M12	42	25	-	22
K0682.316	K0682.416	E	80	25	-	M16	52	30	-	28

K0613

Palm grips soft

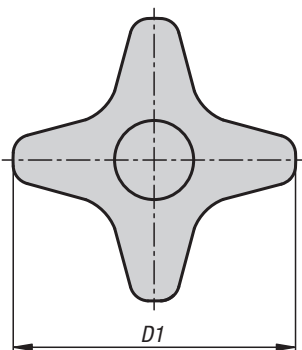
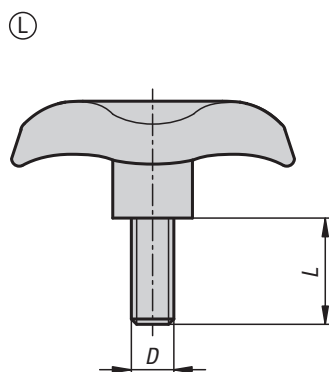
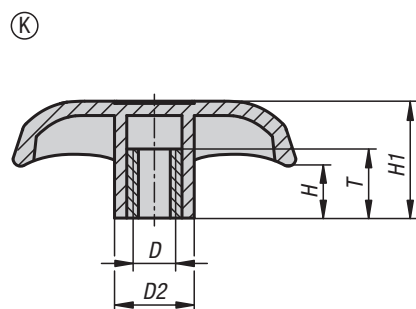


Material:
 Body hard thermoplastic.
 Coating soft thermoplastic.
 Bush or screw steel 5.8.

Version:
 Body and coating black.
 Bush and screw galvanized.

Sample order:
 K0613.5108X20 (include length L)

Note:
 Palm grips with a soft gripping surface combine the stability of standard thermoplastic grips with the pleasant feel of the soft surface. The soft coating creates a sympathetic, non-slip surface allowing higher clamping forces while protecting the hand.



KIPP Palm grips soft with internal thread

Order No.	Form	D	D1	D2	H	H1	T
K0613.5108	K	M8	51	15	10	22	13
K0613.5110	K	M10	51	15	10	22	13
K0613.7608	K	M8	76	19,5	13,5	28	20
K0613.7610	K	M10	76	19,5	13,5	28	20
K0613.7612	K	M12	76	19,5	13,5	28	20

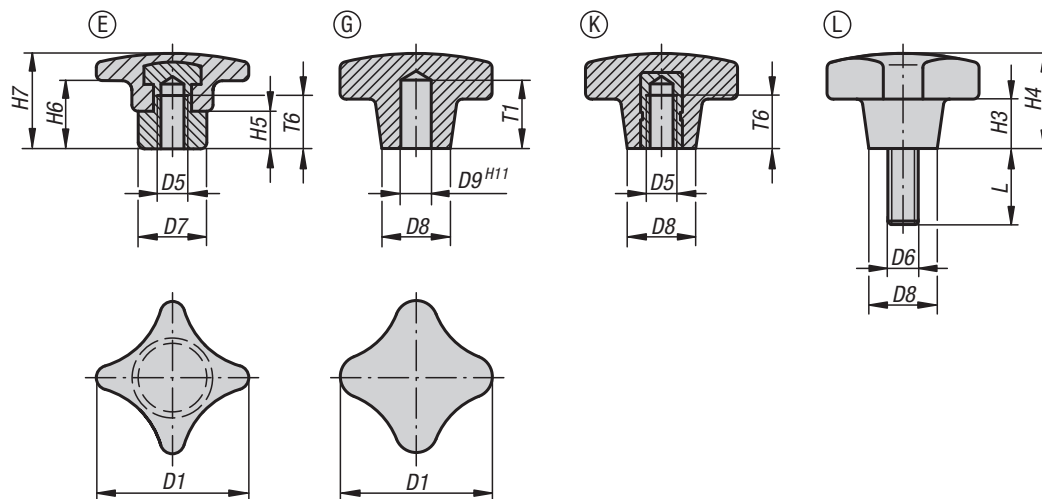
KIPP Palm grips soft with external thread

Order No.	Form	D	D1	D2	H	H1	L
K0613.5108X	L	M8	51	15	10	23	20/40
K0613.5110X	L	M10	51	15	10	23	20/40
K0613.7608X	L	M8	76	19,5	13,5	30	20/40
K0613.7610X	L	M10	76	19,5	13,5	30	20/40
K0613.7612X	L	M12	76	19,5	13,5	30	20/30/40

K0148

Palm grips

similar to DIN 6335



Material:
Black Duroplast PF 31.
Bush and screw galvanized steel.

Version:
High-gloss polished.

Sample order:
K0148.505X30 (include length L)

Drawing reference:
Form E: projecting steel bush
Form G: blind hole
Form K: tapped bush
Form L: external thread

Palm grips

similar to DIN 6335



KIPP Palm grips similar to DIN 6335, Form E

Order No.	Form	D1	D5	D7	H5	H6	H7	T6
K0148.306	E	32	M6	12	9	12	23	12
K0148.308	E	40	M8	14	10	13	26	15
K0148.310	E	50	M10	18	12	18	32	18
K0148.312	E	63	M12	20	14	23	40	22
K0148.316	E	80	M16	25	17	28	50	28

KIPP Palm grips similar to DIN 6335, Form G

Order No.	Form	D1	D8	D9	H3	H4	T1
K0148.405	G	25	12	5	8	16	12
K0148.406	G	32	14	6	10	20	15
K0148.408	G	40	18	8	13	25	18
K0148.410	G	50	22	10	20	32	21
K0148.412	G	63	26	12	25	40	25

KIPP Palm grips similar to DIN 6335, Form K

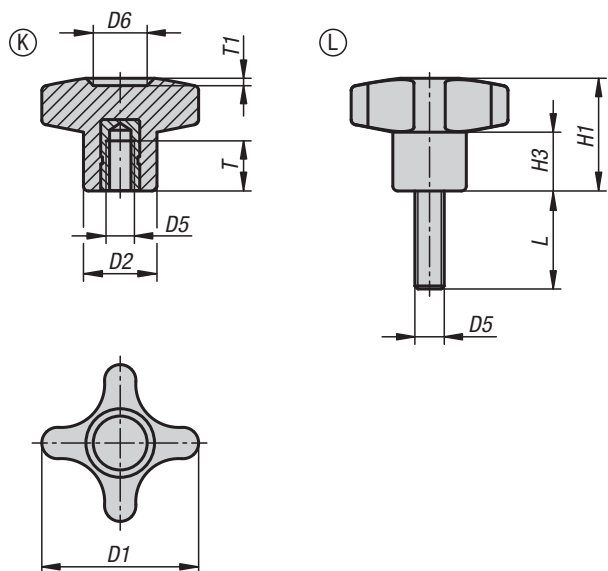
Order No.	Form	D1	D5	D8	H3	H4	T6
K0148.205	K	25	M5	12	8	16	9,5
K0148.206	K	32	M6	14	10	20	12
K0148.208	K	40	M8	18	13	25	14
K0148.210	K	50	M10	22	20	32	18
K0148.212	K	63	M12	26	25	40	22
K0148.216	K	80	M16	35	30	50	30

KIPP Palm grips similar to DIN 6335, Form L

Order No.	Form	D1	D6	D8	H3	H4	L
K0148.505X	L	25	M5	12	8	16	15/20/25/30/40/50
K0148.506X	L	32	M6	14	10	20	15/20/25/30/40/50
K0148.508X	L	40	M8	18	13	25	20/25/30/35/40/45/50
K0148.510X	L	50	M10	22	20	32	20/25/30/35/40/45/50
K0148.512X	L	63	M12	26	25	40	20/30/40/50/60

K1089

Palm grips



Material:
 Fibreglass reinforced thermoplastic.
 Tapped bush brass.
 Screw steel.

Version:
 Grip, black.
 Screw galvanized.

Sample order:
 K1089.43205X30 (include length L)

KIPP Palm grips with internal thread

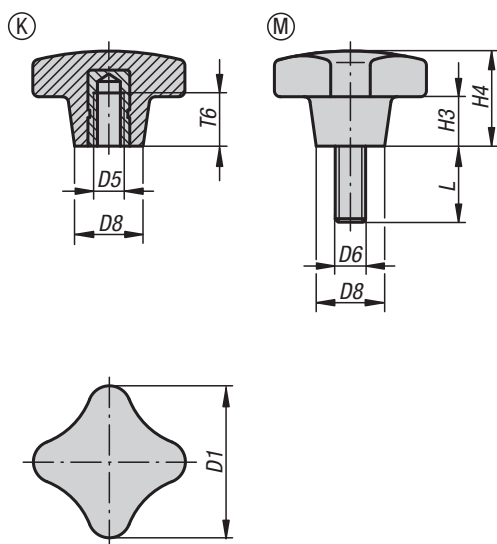
Order No.	Form	D1	D2	D5	D6	H1	H3	T	T1
K1089.23205	K	32	15	M5	11	23	12	14	1,5
K1089.23206	K	32	15	M6	11	23	12	14	1,5
K1089.24008	K	40	16	M8	13	24,5	12,5	14	1,5
K1089.25010	K	50	20	M10	14	29	15	14	2
K1089.26012	K	60	24	M12	18	34	18,5	18	2

KIPP Palm grips with external thread

Order No.	Form	D1	D2	D5	D6	H1	H3	T1	L
K1089.43205X	L	32	15	M5	11	23	11	1,5	16/20
K1089.43206X	L	32	15	M6	11	23	11	1,5	16/20/30
K1089.43208X	L	32	15	M8	11	23	11	1,5	16/20/30/40
K1089.44006X	L	40	15,7	M6	12	24,5	12,5	1	20/30
K1089.44008X	L	40	15,7	M8	12	24,5	12,5	1	20/30/40/50
K1089.45008X	L	50	20	M8	14,5	29	15	1,5	20/30/40
K1089.45010X	L	50	20	M10	14,5	29	15	1,5	20/30/40/50
K1089.46010X	L	60	24	M10	18	34	18,5	1,5	20/30/40/50
K1089.46012X	L	60	24	M12	18	34	18,5	1,5	20/30/40/50

Palm grips

similar to DIN 6335, metal parts stainless steel


Material:

Duroplast PF 31, black.
Metal parts stainless steel 1.4301.

Version:

High-gloss polished, black.

Sample order:

K1017.22505 (Form K)
K1017.52505X15 (Form L)

Drawing reference:

Form K: tapped bush
Form L: external thread

KIPP Palm grips metal parts stainless steel Form K

Order No.	Component material	Form	D1	D5	D8	H3	H4	T6 min.
K1017.22505	stainless steel	K	25	M5	12	8	16	7,5
K1017.23206	stainless steel	K	32	M6	14	10	20	9
K1017.24008	stainless steel	K	40	M8	18	13	25	12
K1017.25010	stainless steel	K	50	M10	22	20	32	15
K1017.26312	stainless steel	K	63	M12	26	25	40	18

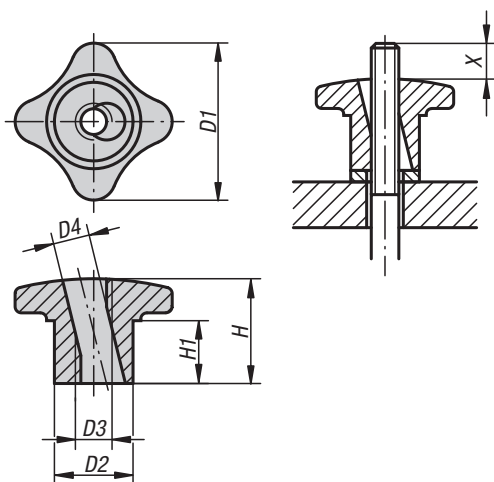
KIPP Palm grips metal parts stainless steel Form L

Order No.	Component material	Form	D1	D6	D8	H3	H4	L
K1017.52505X15	stainless steel	L	25	M5	12	8	16	15
K1017.52505X20	stainless steel	L	25	M5	12	8	16	20
K1017.53206X15	stainless steel	L	32	M6	14	10	20	15
K1017.53206X20	stainless steel	L	32	M6	14	10	20	20
K1017.53206X25	stainless steel	L	32	M6	14	10	20	25
K1017.53206X30	stainless steel	L	32	M6	14	10	20	30
K1017.53206X40	stainless steel	L	32	M6	14	10	20	40
K1017.53206X50	stainless steel	L	32	M6	14	10	20	50
K1017.54008X20	stainless steel	L	40	M8	18	13	25	20
K1017.54008X25	stainless steel	L	40	M8	18	13	25	25
K1017.54008X30	stainless steel	L	40	M8	18	13	25	30
K1017.54008X40	stainless steel	L	40	M8	18	13	25	40
K1017.54008X50	stainless steel	L	40	M8	18	13	25	50

K0683

Palm grips quick-acting

grey cast iron

**Material:**

Grey cast iron GJL 300

Version:

Vibratory ground.

Sample order:

K0683.08

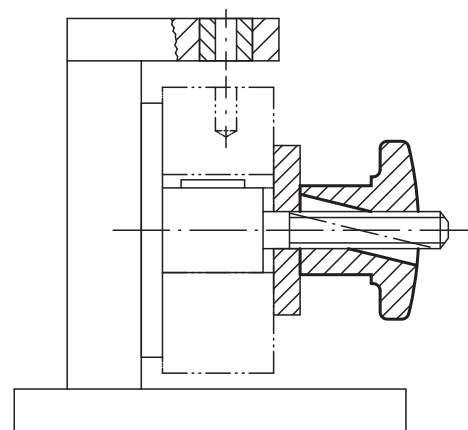
Note:

Quick-acting palm grips can be used on all fixtures that do not require a high clamping force.

Tilt the grip to slide on, then straighten it to engage the threads.

Drawing reference:

X: The stud should be several mm longer than height "H"

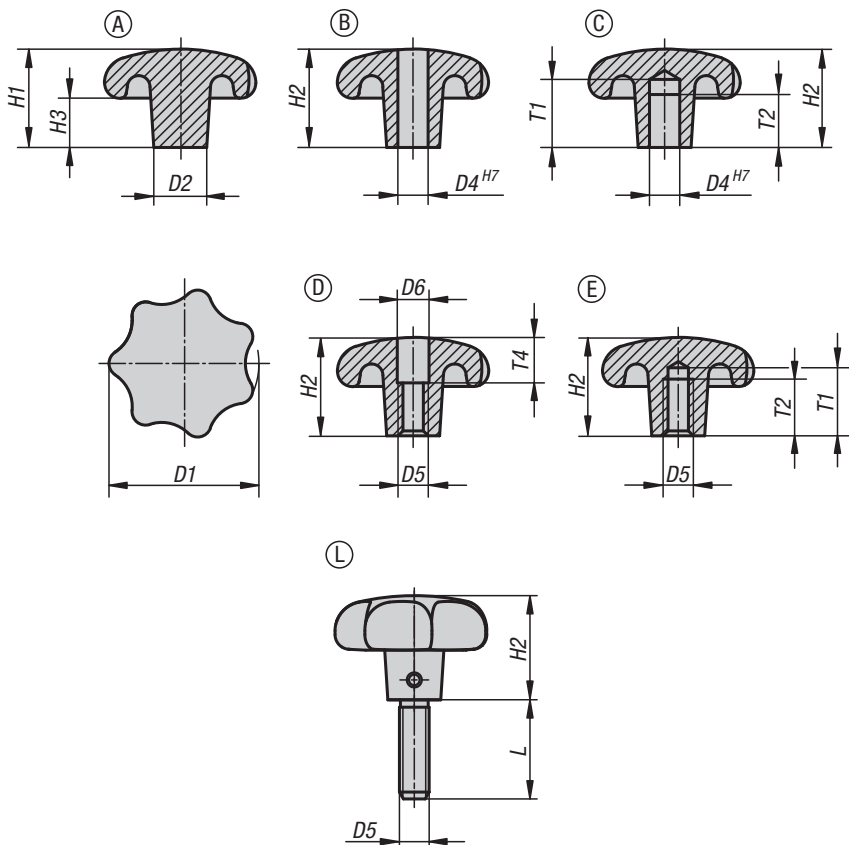
**KIPP Palm grips quick-acting, grey cast iron**

Order No.	D1	D2	D3	D4	H	H1
K0683.06	30	15	M6	7	20	10
K0683.08	40	18	M8	9,4	25	14
K0683.10	50	21	M10	11,3	30	16
K0683.12	60	26	M12	13,1	35	19
K0683.14	70	30	M14	15,6	40	22
K0683.16	80	34	M16	17,6	45	25

K0149

Star grips

aluminium, similar to DIN 6336



Material:

Aluminium.
Grub screw stainless steel 1.4305.
Pin stainless steel 1.4310.

Version:

Vibratory ground or ground and polished.
Grub screw and pin bright.

Sample order:

K0149.14008

On request:

Blank star grips (not tumbled).

Drawing reference:

- Form A: blank
- Form B: drilled through
- Form C: blind hole
- Form D: tapped and counterbored
- Form E: tapped blind hole
- Form L: external thread

KIPP Star grips, aluminium, similar to DIN 6336

Order No.	Version	Form	D1	D2	H1	H3
K0149.14008	tumbled	A	40	14	26	13
K0149.15010	tumbled	A	50	18	34	17
K0149.16312	tumbled	A	63	20	42	21
K0149.18016	tumbled	A	80	25	52	25

Order No. tumbled	Order No. polished	Form	D1	D2	D4	H2
K0149.24008	K0149.240082	B	40	14	8	25
K0149.25010	K0149.250102	B	50	18	10	32
K0149.26312	K0149.263122	B	63	20	12	40
K0149.28016	K0149.280162	B	80	25	16	50

K0149

Star grips

aluminium, similar to DIN 6336



Order No. tumbled	Order No. polished	Form	D1	D2	D4	H2	T1	T2
K0149.34008	K0149.340082	C	40	14	8	25	18	15
K0149.35010	K0149.350102	C	50	18	10	32	21	18
K0149.36312	K0149.363122	C	63	20	12	40	25	22
K0149.38016	K0149.380162	C	80	25	16	50	32	28

Order No. tumbled	Order No. polished	Form	D1	D2	D5	D6	H2	T4
K0149.44008	K0149.440082	D	40	14	M8	8,4	25	12
K0149.45010	K0149.450102	D	50	18	M10	10,5	32	16
K0149.46312	K0149.463122	D	63	20	M12	13	40	20
K0149.48016	K0149.480162	D	80	25	M16	17	50	30

Order No. tumbled	Order No. polished	Form	D1	D2	D5	H2	T1	T2
K0149.54008	K0149.540082	E	40	14	M8	25	18	15
K0149.55010	K0149.550102	E	50	18	M10	32	21	18
K0149.56312	K0149.563122	E	63	20	M12	40	25	22
K0149.58016	K0149.580162	E	80	25	M16	50	32	28

Order No.	Form	Version	D1	D2	D5	H2	L
K0149.64008X	L	tumbled	40	14	M8	25	20/25/30/40
K0149.65010X	L	tumbled	50	18	M10	32	25/30/40/50
K0149.66312X	L	tumbled	63	20	M12	40	30/40/50/60

K0150

Star grips

stainless steel, similar to DIN 6336



Material:

Stainless steel 1.4308.
 Grub screw stainless steel 1.4305.
 Pin stainless steel 1.4310.

Version:

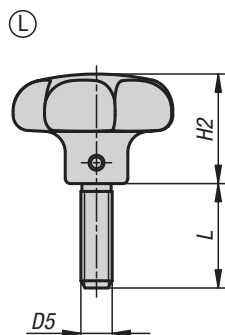
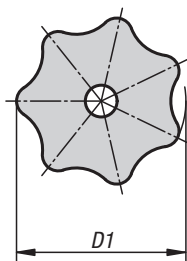
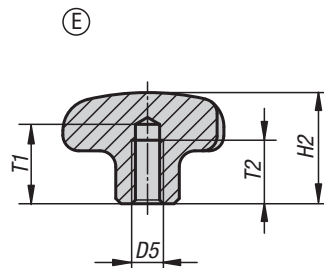
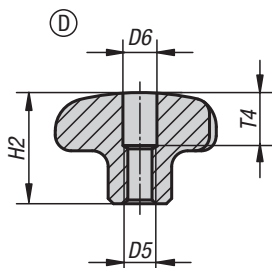
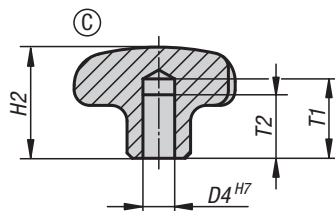
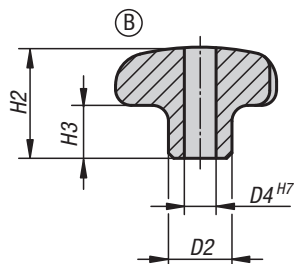
Ground and polished or blasted.
 Grub screw and pin bright.

Sample order:

K0150.232062

Drawing reference:

Form B: drilled through
 Form C: blind hole
 Form D: tapped and counterbored
 Form E: tapped blind hole
 Form L: external thread



Star grips

stainless steel, similar to DIN 6336



KIPP Star grips in stainless steel, similar to DIN 6336

Order No. Form B	Order No. Form C	Version	D1	D2	D4	H2	H3	T1	T2
K0150.232062	K0150.332062	polished	32	12	6	21	10	-/15	-/12
K0150.240082	K0150.340082	polished	40	14	8	26	13	-/18	-/15
K0150.250102	K0150.350102	polished	50	18	10	34	17	-/21	-/18
K0150.263122	K0150.363122	polished	63	20	12	42	21	-/25	-/22
K0150.232063	K0150.332063	blasted	32	12	6	21	10	-/15	-/12
K0150.240083	K0150.340083	blasted	40	14	8	26	13	-/18	-/15
K0150.250103	K0150.350103	blasted	50	18	10	34	17	-/21	-/18
K0150.263123	K0150.363123	blasted	63	20	12	42	21	-/25	-/22

Order No. Form D	Order No. Form E	Version	D1	D2	D5	D6	H2	H3	T1	T2	T4
K0150.432062	K0150.532062	polished	32	12	M6	6,4/-	21	10	-/15	-/12	10/-
K0150.440082	K0150.540082	polished	40	14	M8	8,4/-	26	13	-/18	-/15	12/-
K0150.450102	K0150.550102	polished	50	18	M10	10,5/-	34	17	-/21	-/18	16/-
K0150.463122	K0150.563122	polished	63	20	M12	13/-	42	21	-/25	-/22	20/-
K0150.432063	K0150.532063	blasted	32	12	M6	6,4/-	21	10	-/15	-/12	10/-
K0150.440083	K0150.540083	blasted	40	14	M8	8,4/-	26	13	-/18	-/15	12/-
K0150.450103	K0150.550103	blasted	50	18	M10	10,5/-	34	17	-/21	-/18	16/-
K0150.463123	K0150.563123	blasted	63	20	M12	13/-	42	21	-/25	-/22	20/-

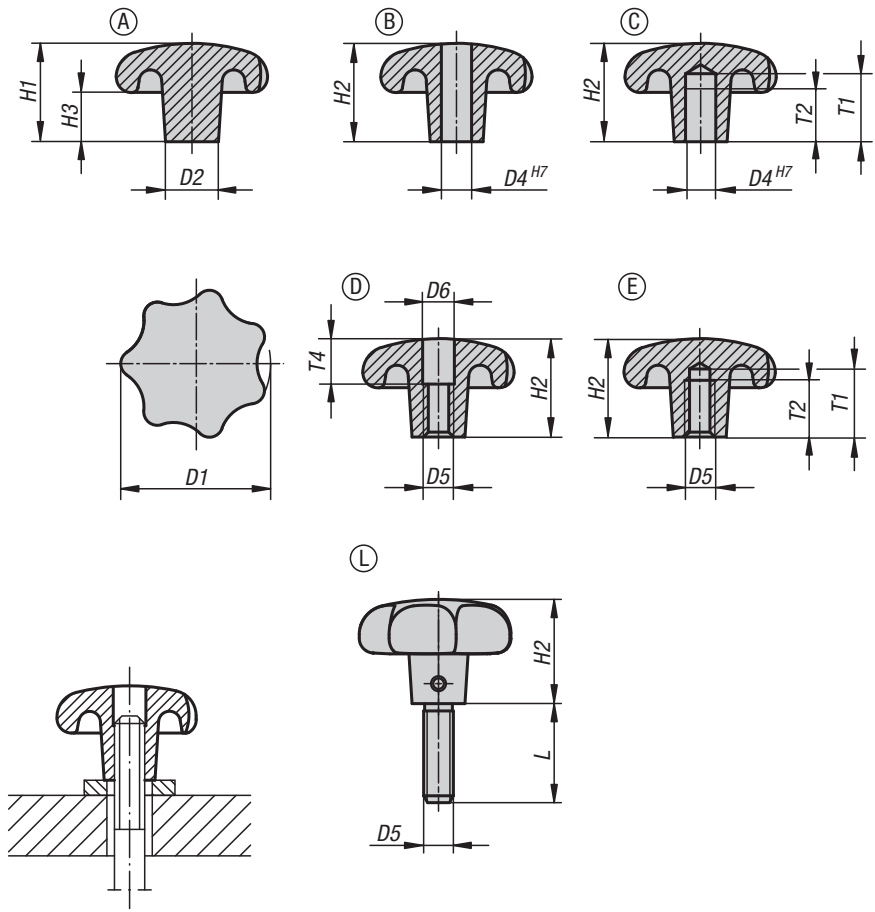
Order No.	Form	Version	D1	D2	D5	H2	H3	L
K0150.632063X	L	blasted	32	12	M6	21	10	15/20/25/30
K0150.640083X	L	blasted	40	14	M8	26	13	20/25/30/40
K0150.650103X	L	blasted	50	18	M10	34	17	25/30/40/50
K0150.663123X	L	blasted	63	20	M12	42	21	30/40/50/60

K0151



Star grips

grey cast iron, DIN 6336



Material:
 Grey cast iron GJL 200.
 Grub screw stainless steel 1.4305.
 Pin stainless steel 1.4310.

Version:
 Vibratory ground, bright.
 Grub screw and pin bright.

Sample order:
 K0151.106

On request:
 Grips with a plastic coating.

Drawing reference:
 Form A: blank
 Form B: drilled through
 Form C: blind hole
 Form D: tapped and counterbored
 Form E: tapped blind hole
 Form L: external thread

KIPP Star grips, grey cast iron, DIN 6336

Order No. Form A	Order No. Form B	Version	D1	D2	D4	H1	H2	H3
K0151.106	K0151.206	tumbled	32	12	-/6	21/-	-/20	10/-
K0151.108	K0151.208	tumbled	40	14	-/8	26/-	-/25	13/-
K0151.110	K0151.210	tumbled	50	18	-/10	34/-	-/32	17/-
K0151.112	K0151.212	tumbled	63	20	-/12	42/-	-/40	21/-
K0151.116	K0151.216	tumbled	80	25	-/16	52/-	-/50	25/-

Order No. Form C	Order No. Form D	Order No. Form E	Version	D1	D2	D4	D5	D6	H2	T1	T2	T4
K0151.306	K0151.406	K0151.506	tumbled	32	12	6/-/	-/M6/M6	-/6,4/-	20/20/20	15/-/15	12/-/12	-/10/-
K0151.308	K0151.408	K0151.508	tumbled	40	14	8/-/	-/M8/M8	-/8,4/-	25/25/25	18/-/18	15/-/15	-/12/-
K0151.310	K0151.410	K0151.510	tumbled	50	18	10/-/	-/M10/M10	-/10,5/-	32/32/32	21/-/21	18/-/18	-/16/-
K0151.312	K0151.412	K0151.512	tumbled	63	20	12/-/	-/M12/M12	-/13/-	40/40/40	25/-/25	22/-/22	-/20/-
K0151.316	K0151.416	K0151.516	tumbled	80	25	16/-/	-/M16/M16	-/17/-	50/50/50	32/-/32	28/-/28	-/30/-

Order No.	Form	Version	D1	D2	D5	H2	L
K0151.606X	L	tumbled	32	12	M6	20	15/20/25/30
K0151.608X	L	tumbled	40	14	M8	25	20/25/30/40
K0151.610X	L	tumbled	50	18	M10	32	25/30/40/50
K0151.612X	L	tumbled	63	20	M12	40	30/40/50/60

K0152

Star grips

similar to DIN 6336



Material:
Duroplast PF 31, black.
Bush and screw steel, galvanized and blue passivated.

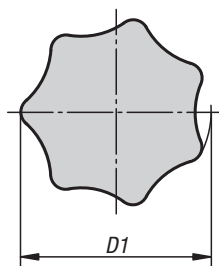
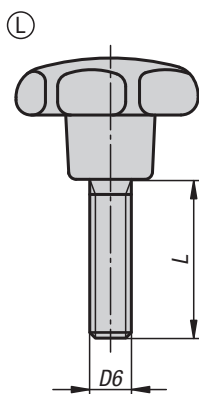
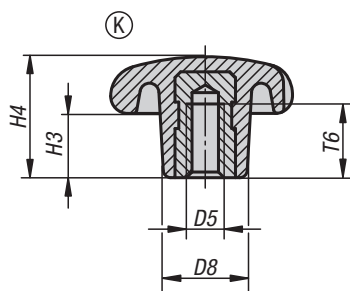
Version:
High-gloss polished.

Sample order:
K0152.42505X15 (include length L.)

Note:
The version K0152.22004 has a brass bush.

On request:
Other colours.

Drawing reference:
Form K: tapped bush
Form L: external thread



KIPP Star grips similar to DIN 6336 with internal thread, Form K

Order No.	Form	D1	D5	D8	H3	H4	T6
K0152.22004	K	20	M4	10	7	13	6,5
K0152.22505	K	25	M5	12	8	16	9,5
K0152.23206	K	32	M6	14	10	20	12
K0152.24008	K	40	M8	18	13	25	14
K0152.25010	K	50	M10	22	17	32	18
K0152.26312	K	63	M12	26	21	40	22
K0152.28016	K	80	M16	35	25	50	30

KIPP Star grips similar to DIN 6336 with external thread, Form L

Order No.	Form	D1	D6	D8	H3	H4	L
K0152.42505X	L	25	M5	12	8	16	15/20/25
K0152.43206X	L	32	M6	14	10	20	15/20/25/30
K0152.44008X	L	40	M8	18	13	25	20/25/30/35/40
K0152.45010X	L	50	M10	22	17	32	25/30/35/40/50
K0152.46312X	L	63	M12	26	21	40	30/35/40/50/60
K0152.48016X	L	80	M16	35	25	50	30/40/50/60

Star grips

similar to DIN 6336 metal parts stainless steel



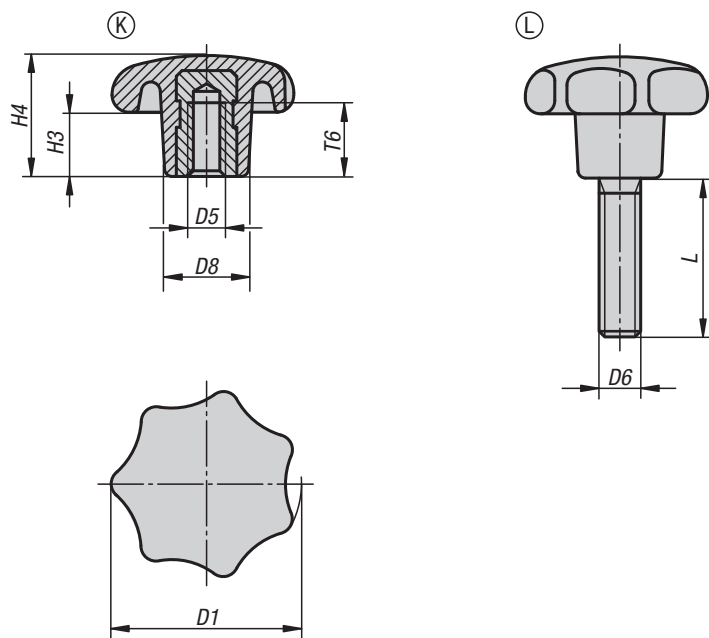
Material:
Duroplast PF 31, black.
Bushing or threaded pin stainless steel 1.4301.

Version:
High-gloss polished.

Sample order:
K1016.24008

On request:
Other colours.

Drawing reference:
Form K: tapped bush
Form L: external thread



KIPP Star grips similar to DIN 6336, metal parts stainless steel, internal thread, with cap, Form K

Order No.	Component material	Form	D1	D5	D8	H3	H4	T6	T6 min.
K1016.23206	stainless steel	K	32	M6	14	10	20	12	9
K1016.24008	stainless steel	K	40	M8	18	13	25	14	12
K1016.25010	stainless steel	K	50	M10	22	17	32	18	15
K1016.26312	stainless steel	K	63	M12	26	21	40	22	18

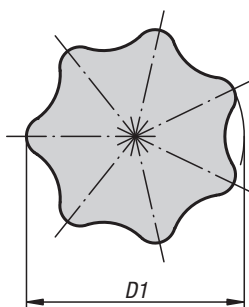
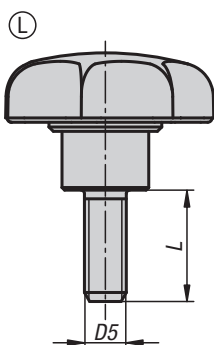
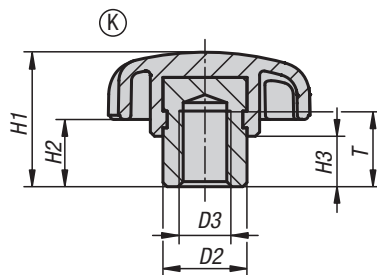
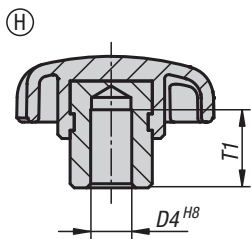
KIPP Star grips similar to DIN 6336 metal parts stainless steel, with external thread, Form L

Order No.	Component material	Form	D1	L	D6	D8	H3	H4
K1016.43206X15	stainless steel	L	32	15	M6	14	10	20
K1016.43206X20	stainless steel	L	32	20	M6	14	10	20
K1016.43206X25	stainless steel	L	32	25	M6	14	10	20
K1016.43206X30	stainless steel	L	32	30	M6	14	10	20
K1016.44008X20	stainless steel	L	40	20	M8	18	13	25
K1016.44008X25	stainless steel	L	40	25	M8	18	13	25
K1016.44008X30	stainless steel	L	40	30	M8	18	13	25
K1016.44008X40	stainless steel	L	40	40	M8	18	13	25

K0153

Star grips

with projecting steel bush



Material:
Black thermoplastic.
Steel grade 5.8 or stainless steel 1.4305.

Version:
Metal parts blue passivated steel or bright stainless steel.

Sample order:
K0153.2081

Note:
The projecting steel bush make these star grips very suitable as blind hole or internal thread versions especially for cross pinning.

Drawing reference:
Form H: bush with blind hole
Form K: tapped bush
Form L: external thread

KIPP Star grips with projecting steel bush, Form H

Order No.	Component material	Form	D4	T1	D1	D2	H1	H2	H3
K0153.105	steel	H	5	9,5	25	10	17	9	7
K0153.106	steel	H	6	12,5	32	13,5	21	11	9,5
K0153.1061	steel	H	6	12,5	40	13,5	25	13	10
K0153.108	steel	H	8	12,5	40	13,5	25	13	10
K0153.1081	steel	H	8	19,5	50	19	32	17	12
K0153.110	steel	H	10	19,5	50	19	32	17	12
K0153.1101	steel	H	10	19,5	63	19	37	18	12
K0153.112	steel	H	12	19,5	63	19	37	18	12
K0153.116	steel	H	16	24,5	63	23	40	21	15

Star grips

with projecting steel bush



KIPP Star grips with projecting steel bush, Form K

Order No. steel	Order No. stainless steel	Form	D3	T	D1	D2	H1	H2	H3
K0153.205	K0153.305	K	M5	9	25	10	17	9	7
K0153.206	K0153.306	K	M6	12	32	13,5	21	11	9,5
K0153.2061	K0153.3061	K	M6	12	40	13,5	25	13	10
K0153.208	K0153.308	K	M8	12	40	13,5	25	13	10
K0153.2081	K0153.3081	K	M8	17	50	19	32	17	12
K0153.210	K0153.310	K	M10	17	50	19	32	17	12
K0153.2101	K0153.3101	K	M10	17	63	19	37	18	12
K0153.212	K0153.312	K	M12	17	63	19	37	18	12
K0153.216	K0153.316	K	M16	23	63	23	40	21	15

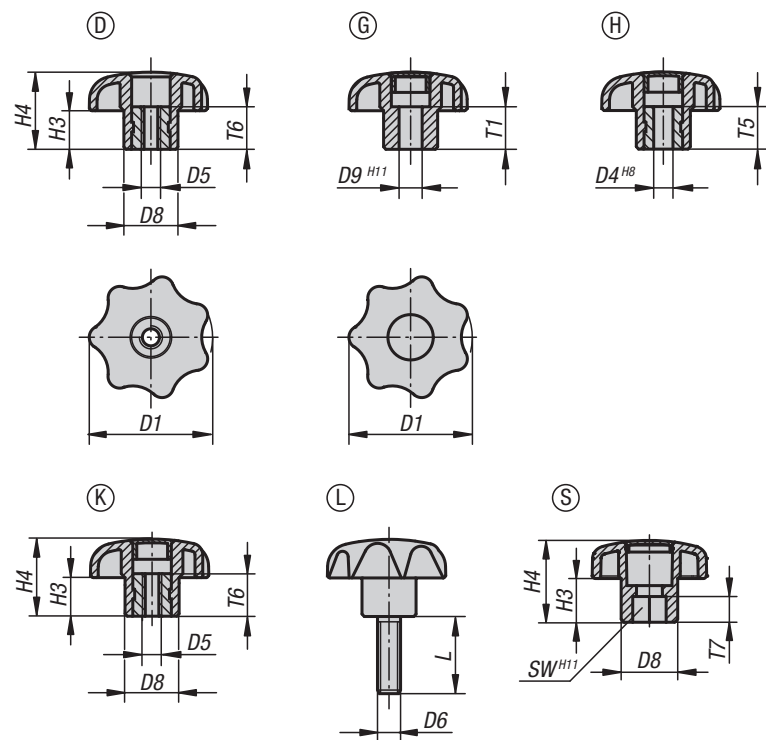
KIPP Star grips with external thread, Form L

Order No. steel	Order No. stainless steel	Form	D5	D1	D2	H1	H2	H3	L
K0153.405X	K0153.505X	L	M5	25	10	17	9	7	10/15/20
K0153.406X	K0153.506X	L	M6	32	13,5	21	11	9,5	10/15/20/25/30
K0153.408X	K0153.508X	L	M8	40	13,5	25	13	10	15/20/25/30/40/50
K0153.410X	K0153.510X	L	M10	50	19	32	17	12	20/25/30/40/50/60
K0153.412X	K0153.512X	L	M12	63	19	37	18	12	20/25/30/40/50/60

K0155

Star grips

similar to DIN 6336



Material:
Black thermoplastic.
Bush and screw steel.

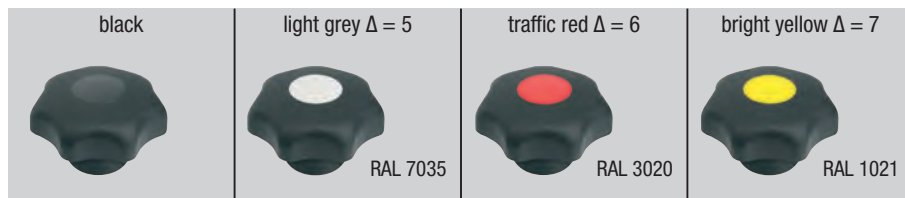
Version:
Bush and screw, galvanized and blue passivated.

Sample order:
K0155.4127X30
(Cap colour bright yellow; include length L)

Note:
Δ Add the desired cap colour code here. No colour code is required for black caps.

On request:
Other colours or designs, such as company logo.

Drawing reference:
Form D: tapped bush without cap
Form G: without bush
Form H: with reamed bush
Form K: tapped bush with cap
Form L: external thread
Form S: hexagon



KIPP Star grips similar to DIN 6336, Form D and S

Order No.	Form	D1	D5	D8	H3	H4	SW	T6	T7
K0155.504	D	25	M4	12	8	16	-	10	-
K0155.505	D	25	M5	12	8	16	-	10	-
K0155.5061	D	25	M6	12	8	16	-	10	-
K0155.5051	D	32	M5	14	10	20	-	10	-
K0155.506	D	32	M6	14	10	20	-	10	-
K0155.508	D	40	M8	18	13	25	-	14	-
K0155.5101	D	40	M10	18	13	25	-	14	-
K0155.5081	D	50	M8	22	17	32	-	14	-
K0155.510	D	50	M10	22	17	32	-	14	-
K0155.5121	D	50	M12	22	17	32	-	18	-
K0155.5102	D	63	M10	26	21	40	-	14	-
K0155.512	D	63	M12	26	21	40	-	18	-
K0155.516	D	63	M16	26	21	40	-	18	-
K0155.808	S	32	-	14	9,2	19,6	8	-	5
K0155.810	S	40	-	18	13	24,5	10	-	10
K0155.813	S	50	-	22	17	31,2	13	-	10
K0155.816	S	63	-	26	21	39,4	16	-	15

Star grips

similar to DIN 6336



examples of grip cap designs



KIPP Star grips similar to DIN 6336, internal thread with cap, Form K

Order No.	Form	D1	D5	D8	H3	H4	T6
K0155.204Δ	K	25	M4	12	8	16	10
K0155.205Δ	K	25	M5	12	8	16	10
K0155.2061Δ	K	25	M6	12	8	16	10
K0155.2051Δ	K	32	M5	14	10	20	10
K0155.206Δ	K	32	M6	14	10	20	10
K0155.208Δ	K	40	M8	18	13	25	14
K0155.2101Δ	K	40	M10	18	13	25	14
K0155.2081Δ	K	50	M8	22	17	32	14
K0155.210Δ	K	50	M10	22	17	32	14
K0155.2121Δ	K	50	M12	22	17	32	18
K0155.2102Δ	K	63	M10	26	21	40	14
K0155.212Δ	K	63	M12	26	21	40	18
K0155.216Δ	K	63	M16	26	21	40	18

KIPP Star grips similar to DIN 6336 with reamed hole, Form G and H

Order No. Form G	Order No. Form H	D1	D4	D8	D9	H3	H4	T1	T5
K0155.305Δ	K0155.105Δ	25	-/5	12	5/-	8	16	10/-	-/10
K0155.306Δ	K0155.106Δ	32	-/6	14	6/-	10	20	10/-	-/10
K0155.308Δ	K0155.108Δ	40	-/8	18	8/-	13	25	14/-	-/14
K0155.310Δ	K0155.110Δ	50	-/10	22	10/-	17	32	14/-	-/14
-	K0155.1101Δ	63	10	26	-	21	40	-	14
K0155.312Δ	K0155.112Δ	63	-/12	26	12/-	21	40	18/-	-/18

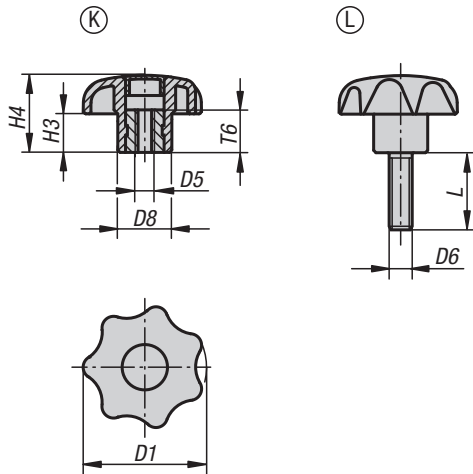
KIPP Star grips similar to DIN 6336 with external thread, Form L

Order No.	Form	D1	D6	D8	H3	H4	L
K0155.405ΔX	L	25	M5	12	8	16	10/15/20/25/30/35/40/45/50/60
K0155.406ΔX	L	25	M6	12	8	16	10/15/20/25/30/35/40/45/50/60
K0155.4061ΔX	L	32	M6	14	10	20	10/15/20/25/30/35/40/45/50/60
K0155.408ΔX	L	32	M8	14	10	20	15/20/25/30/35/40/45/50/60
K0155.4081ΔX	L	40	M8	18	13	25	15/20/25/30/35/40/45/50/60
K0155.410ΔX	L	40	M10	18	13	25	15/20/25/30/35/40/45/50/60
K0155.4101ΔX	L	50	M10	22	17	32	15/20/25/30/35/40/45/50/60
K0155.412ΔX	L	50	M12	22	17	32	15/20/25/30/35/40/45/50/60
K0155.4102ΔX	L	63	M10	26	21	40	20/25/30/35/40/45/50/60
K0155.4121ΔX	L	63	M12	26	21	40	20/25/30/35/40/45/50/60
K0155.416ΔX	L	63	M16	26	21	40	30/35/40/45/50/60

K0155

Star grips biopolymer

similar to DIN 6336

**Material:**

Grip biopolymer.
Bush and screw steel.

Version:

Bush and screw, galvanized and blue passivated.
Natural beech with beech fibres or coloured black grey.

Sample order:

K0155.10406190X15

Advantages:

This biopolymer is manufactured entirely from renewable raw materials (oil free).
Conservation of finite fossil resources.
The wood fibres originate 100% from local forests in Germany.
PEFC certified (guarantees that wood products originate from sustainably managed forests).

Features:

Excellent mechanical stability (certified with a minimum of 2x safety factor).
Biopolymer is suitable for recycling (comparable to thermoplastics).
Suitable for outdoor use (not biodegradable).
Excellent resistance to strong acids and lyes.
Short-term resistance to alcohol, fuel, mineral oil and grease.

Star grips biopolymer

similar to DIN 6336



KIPP Star grips biopolymer similar to DIN 6336, internal thread

Order No.	Main colour	Form	D1	D5	D8	H3	H4	T6
K0155.102051143	natural beech	K	32	M5	14	10	20	10
K0155.10206143	natural beech	K	32	M6	14	10	20	10
K0155.10208143	natural beech	K	40	M8	18	13	25	14
K0155.102081143	natural beech	K	50	M8	22	17	32	14
K0155.102101143	natural beech	K	40	M10	18	13	25	14
K0155.10210143	natural beech	K	50	M10	22	17	32	14
K0155.102121143	natural beech	K	50	M12	22	17	32	18
K0155.10205190	black grey RAL 7021	K	32	M5	14	10	20	10
K0155.1020690	black grey RAL 7021	K	32	M6	14	10	20	10
K0155.1020890	black grey RAL 7021	K	40	M8	18	13	25	14
K0155.10208190	black grey RAL 7021	K	50	M8	22	17	32	14
K0155.10210190	black grey RAL 7021	K	40	M10	18	13	25	14
K0155.1021090	black grey RAL 7021	K	50	M10	22	17	32	14
K0155.10212190	black grey RAL 7021	K	50	M12	22	17	32	18

KIPP Star grips biopolymer similar to DIN 6336, external thread

Order No.	Main colour	Form	D1	D6	D8	H3	H4	L
K0155.104061143X15	natural beech	L	32	M6	14	10	20	15
K0155.10408143X20	natural beech	L	32	M8	14	10	20	20
K0155.104081143X25	natural beech	L	40	M8	18	13	25	25
K0155.10410143X25	natural beech	L	40	M10	18	13	25	25
K0155.104101143X25	natural beech	L	50	M10	22	17	32	25
K0155.10412143X25	natural beech	L	50	M12	22	17	32	25
K0155.10406190X15	black grey RAL 7021	L	32	M6	14	10	20	15
K0155.1040890X20	black grey RAL 7021	L	32	M8	14	10	20	20
K0155.10408190X25	black grey RAL 7021	L	40	M8	18	13	25	25
K0155.1041090X25	black grey RAL 7021	L	40	M10	18	13	25	25
K0155.10410190X25	black grey RAL 7021	L	50	M10	22	17	32	25
K0155.1041290X25	black grey RAL 7021	L	50	M12	22	17	32	25

K0154

Star grips antibacterial

similar to DIN 6336, metal parts stainless steel

**Material:**Thermoplastic, slate grey.
Bush and screw stainless steel 1.4305.**Version:**

Bush and screw bright.

Sample order:

K0154.12408144X25

Application:

The antibacterial KIPP MEDI grip products are highly effective against a variety of hazardous microorganisms, such as bacteria, fungi, viruses and even multi-resistant bacteria (e.g. MRSA). The plastic used incorporates micro-silver particles with an antimicrobial effect to ensure effective results throughout the entire product life cycle.

Function:

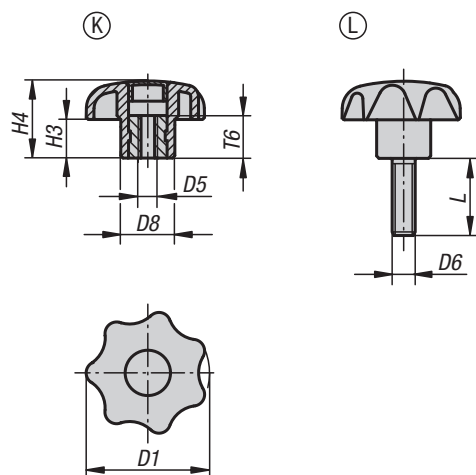
Silver ions are effective in preventing harmful microorganisms from forming on the product surface, promoting a constant reduction of the existing germs on the MEDI grip products (as tested and confirmed by an accredited testing laboratory). During cleaning cycles the risk of infection while touching these products is significantly lower.

Advantages:

Resistant to humidity and cleaning products (during disinfection) with no toxic side effects.

Applications:

For installation on machines, equipment, plants and furnishings in areas with increased hygienic requirements (including hospitals, doctors' surgeries, rehabilitation centres and food production facilities), as well as for use in public areas or regularly frequented institutions (i.e. nursing homes or daycare centres).



KIPP Star grips antibacterial, similar to DIN 6336, metal parts stainless steel, internal thread, Form K

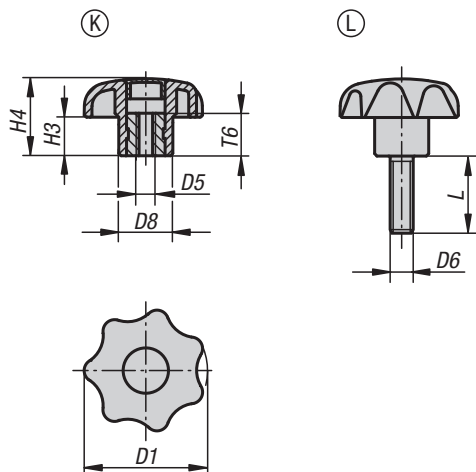
Order No.	Form	D1	D5	D8	H3	H4	T6
K0154.12208144	K	40	M8	18	13	25	14

KIPP Star grips antibacterial, similar to DIN 6336, metal parts stainless steel, external thread, Form L

Order No.	Form	D1	D6	D8	H3	H4	L
K0154.12408144X25	L	40	M8	18	13	25	25

Star grips antistatic

similar to DIN 6336



Safety:

These ESD products can also be used for devices, components and protection systems in areas with high risk of explosion. Use of these ESD products prevents the occurrence of electrostatic spark discharges, eliminating the potential ignition of gases and dusts which could lead to explosions in enclosed spaces.

Manufacturers and operators must use and conform to ATEX directives for the protection of persons working in areas with high risk of explosion.

These ESD products are certified by TÜV-Süd in relation to their electrical discharge capability.

Target groups:

Device manufacturers required to conform to ATEX product directive 2014/34/EU.

Operators required to conform to ATEX worker protection directive 1999/92/EC.

Drawing reference:

Form K: tapped bush, with cap

Form L: external thread

Material:

Thermoplastic, graphite black.
Bush or screw steel 5.8.

Version:

Screw blue passivated.

Sample order:

K0155.1120824

Application:

Sensitive electrical or electronic equipment, components and devices (ESD sensitive elements) may be damaged or destroyed by electrostatic discharges (ESD) in the immediate vicinity. Electrostatic discharges can come from people or through handling ESD sensitive components (e.g. during production, assembly, transport, storage etc).

Electrically conductive products which conform to DIN EN 61340-5-1 are essential within electronic environments to prevent an electrostatic discharge.

These products can be used for ESD applications or in ESD protection areas (EPA) in accordance with DIN EN 61340-5-1.

The yellow ESD logo is printed on the side of the product to clearly identify it.

KIPP Star grips antistatic similar to DIN 6336, internal thread, Form K

Order No.	Main colour	Form	D1	D5	D8	H3	H4	T6
K0155.1120824	graphite black RAL 9011	K	40	M8	18	13	25	14

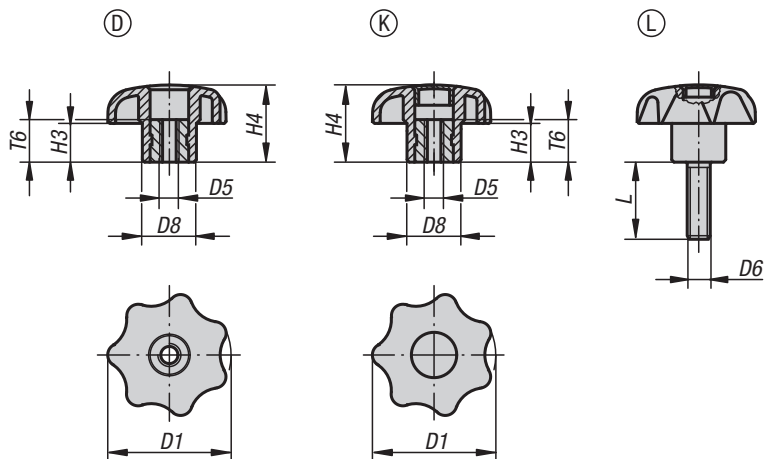
KIPP Star grips antistatic similar to DIN 6336, external thread, Form L

Order No.	Main colour	Form	D1	D6	D8	H3	H4	L
K0155.11408124X25	graphite black RAL 9011	L	40	M8	18	13	25	25

K0154

Star grips

similar to DIN 6336, metal parts stainless steel



Material:
Black thermoplastic.
Bush and screw stainless steel 1.4305.

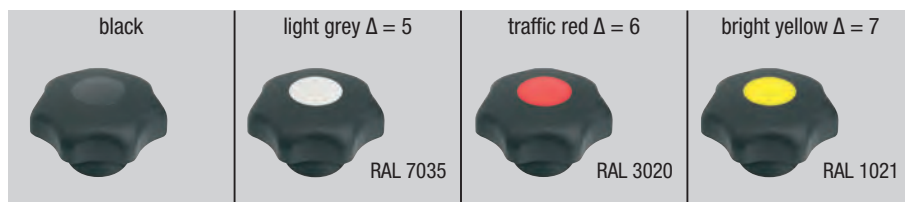
Version:
Bush and screw bright.

Sample order:
K0154.4067X30
(cap colour bright yellow; include length L)

Note:
Δ Add the desired cap colour code here. No colour code is required for black caps.

On request:
Other colours or designs, such as company logo.

Drawing reference:
Form D: tapped bush without cap
Form K: tapped bush with cap
Form L: external thread



KIPP Star grips similar to DIN 6336, metal parts stainless steel, internal thread, without cap, Form D

Order No.	Form	D1	D5	D8	H3	H4	T6
K0154.505	D	25	M5	12	8	16	10
K0154.506	D	32	M6	14	10	20	10
K0154.508	D	40	M8	18	13	25	14
K0154.510	D	50	M10	22	17	32	14
K0154.512	D	63	M12	26	21	40	18

KIPP Star grips similar to DIN 6336, metal parts stainless steel, internal thread, with cap, Form K

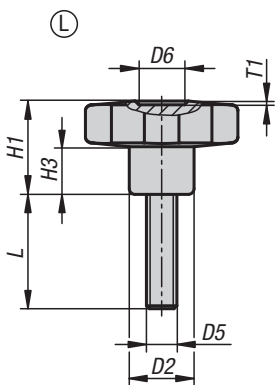
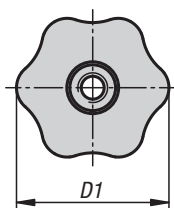
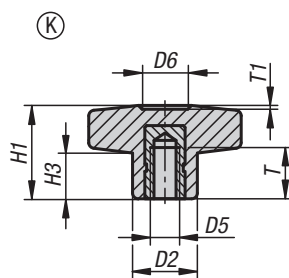
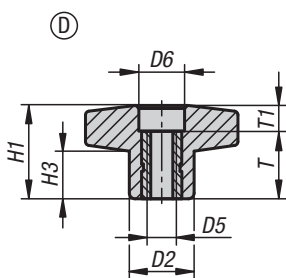
Order No.	Form	D1	D5	D8	H3	H4	T6
K0154.205Δ	K	25	M5	12	8	16	10
K0154.206Δ	K	32	M6	14	10	20	10
K0154.208Δ	K	40	M8	18	13	25	14
K0154.210Δ	K	50	M10	22	17	32	14
K0154.212Δ	K	63	M12	26	21	40	18

KIPP Star grips similar to DIN 6336 metal parts stainless steel, with external thread, Form L

Order No.	Form	D1	D6	D8	H3	H4	L
K0154.405ΔX	L	25	M5	12	8	16	15/20
K0154.406ΔX	L	32	M6	14	10	20	20/30
K0154.408ΔX	L	40	M8	18	13	25	15/20/25/30/40/60
K0154.410ΔX	L	50	M10	22	17	32	25/30/40/50/60

K1090

Star grips



Material:

Fibreglass reinforced thermoplastic.
Tapped bush brass.
Screw steel.

Version:

Grip, black.
Screw galvanized.

Sample order:

K1090.43006X16 (include length L)

Drawing reference:

Form D: tapped bush, without cap
Form K: tapped bush
Form L: external thread

Star grips



KIPP Form D, tapped bush, without cap

Order No.	Form	D1	D2	D5	D6	H1	H3	T	T1
K1090.53005	D	30	15	M5	11	22	11	18	4
K1090.53006	D	30	15	M6	11	22	11	18	4
K1090.53008	D	30	15	M8	11	22	11	18	4
K1090.54006	D	40	17	M6	12	24,5	12,5	18	6
K1090.54008	D	40	17	M8	12	24,5	12,5	18	6
K1090.54010	D	40	17	M10	12	24,5	12,5	18	6
K1090.55008	D	50	20	M8	14	29	15,5	18	11
K1090.55010	D	50	20	M10	14	29	15,5	18	11
K1090.55012	D	50	20	M12	14	29	14	18	11
K1090.56010	D	60	24	M10	16,5	34	18	18	16
K1090.56012	D	60	24	M12	16,5	34	18	18	16

KIPP Form K, tapped bush

Order No.	Form	D1	D2	D5	D6	H1	H3	T	T1
K1090.23005	K	30	15	M5	9	22	11	14	1,5
K1090.23006	K	30	15	M6	9	22	11	10	1,5
K1090.24006	K	40	17	M6	12	24,5	12	16	1
K1090.24008	K	40	17	M8	12	24,5	12	14	1
K1090.24010	K	40	17	M10	12	24,5	12	14	1
K1090.25008	K	50	20	M8	14,5	29	15,5	14	1,5
K1090.25010	K	50	20	M10	14,5	29	15,5	14	1,5
K1090.25012	K	50	20	M12	14,5	29	15,5	18	1,5
K1090.26010	K	60	24	M10	18	34	18	21	1,5
K1090.26012	K	60	24	M12	18	34	18	18	1,5

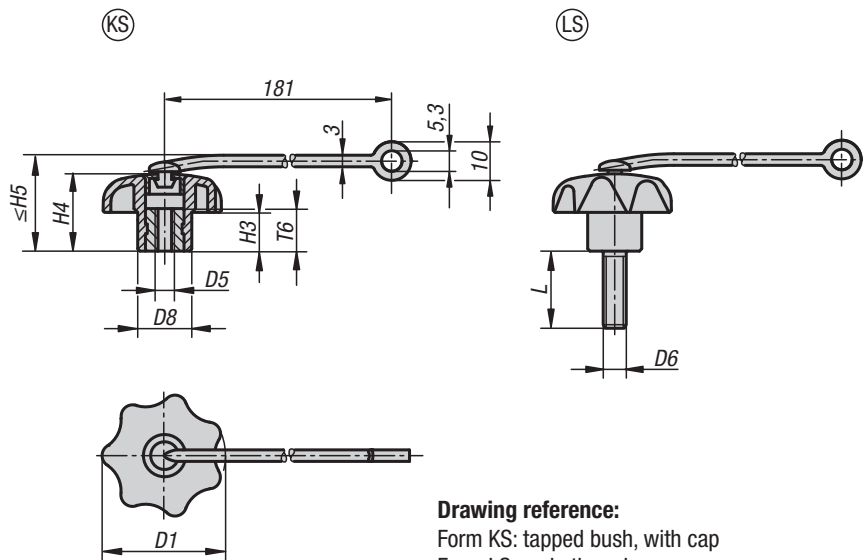
KIPP Form L, external thread

Order No.	Form	D1	D2	D5	D6	H1	H3	T1	L
K1090.43006X	L	30	15	M6	9	22	11	1,5	16/20/30
K1090.43008X	L	30	15	M8	9	22	11	1,5	16/20/30/40
K1090.44006X	L	40	17	M6	12	24,5	12,5	1	16/20/30/40
K1090.44008X	L	40	17	M8	12	24,5	12,5	1	20/30/40/50
K1090.45008X	L	50	20	M8	14,5	29	15	1,5	20/30/40
K1090.45010X	L	50	20	M10	14,5	29	15	1,5	20/30/40/50
K1090.46010X	L	60	24	M10	18	34	18	1,5	20/30/40/50
K1090.46012X	L	60	24	M12	18	34	18	1,5	20/30/40/50

K0155

Star grips with safety band

similar to DIN 6336



Drawing reference:
Form KS: tapped bush, with cap
Form LS: male thread

Material:

Grip thermoplastic.
Bush and screw steel.
Safety band elastic TPU.

Version:

Bush and screw, galvanized and blue passivated.

Sample order:

K0155.7056X15
(cap colour traffic red; include length L)

Note:

Δ Add the desired cap colour code here. No colour code is required for black caps.

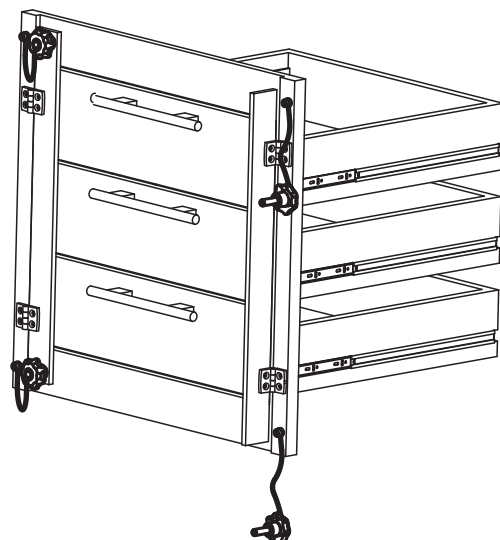
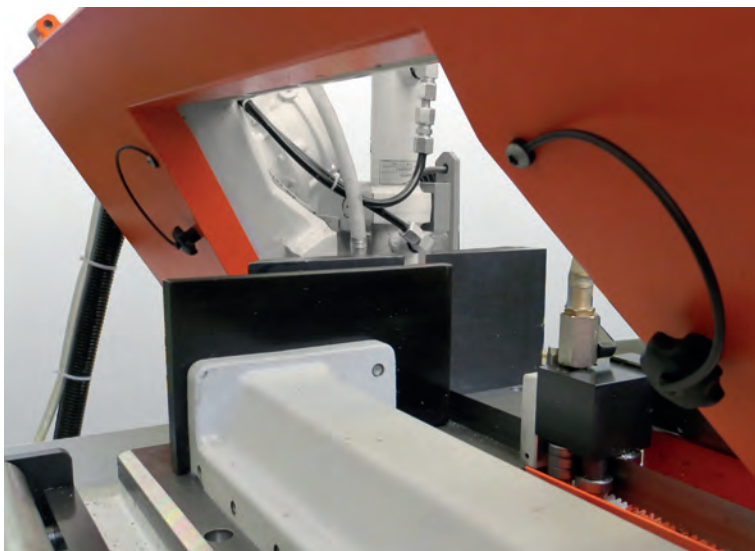
Attach the safety band to a base to make the star grip unlosable. The star grip cannot be moved far from the object to which it belongs, simplifying screwing and unscrewing of the grip and ensuring against loss.

Assembly:

Do not stretch the band during assembly.
Make sure that the anchor is not too far from where the star grip is to be used.

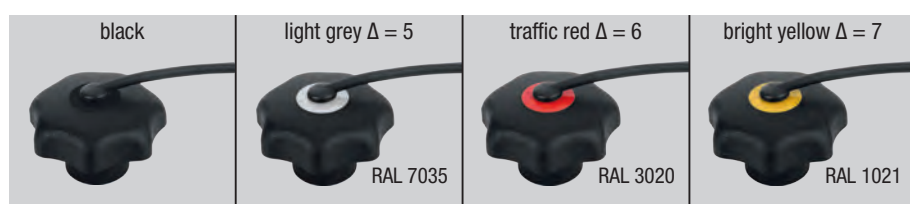
Accessories:

The safety band is also available as an accessory, see K0743.04190.



Star grips with safety band

similar to DIN 6336



KIPP Star grips with safety band, female thread, Form KS

Order No.	Form	D1	D5	D8	H3	H4	H5 max.	T6
K0155.604Δ	KS	25	M4	12	8	16	22	10
K0155.605Δ	KS	25	M5	12	8	16	22	10
K0155.6061Δ	KS	25	M6	12	8	16	22	10
K0155.6051Δ	KS	32	M5	14	10	20	26	10
K0155.606Δ	KS	32	M6	14	10	20	26	10
K0155.608Δ	KS	40	M8	18	13	25	31	14
K0155.6101Δ	KS	40	M10	18	13	25	31	14
K0155.6081Δ	KS	50	M8	22	17	32	38	14
K0155.610Δ	KS	50	M10	22	17	32	38	14
K0155.6121Δ	KS	50	M12	22	17	32	38	14
K0155.6102Δ	KS	63	M10	26	21	40	46	14
K0155.612Δ	KS	63	M12	26	21	40	46	14
K0155.616Δ	KS	63	M16	26	21	40	46	14

KIPP Star grips with safety band, male thread, Form LS

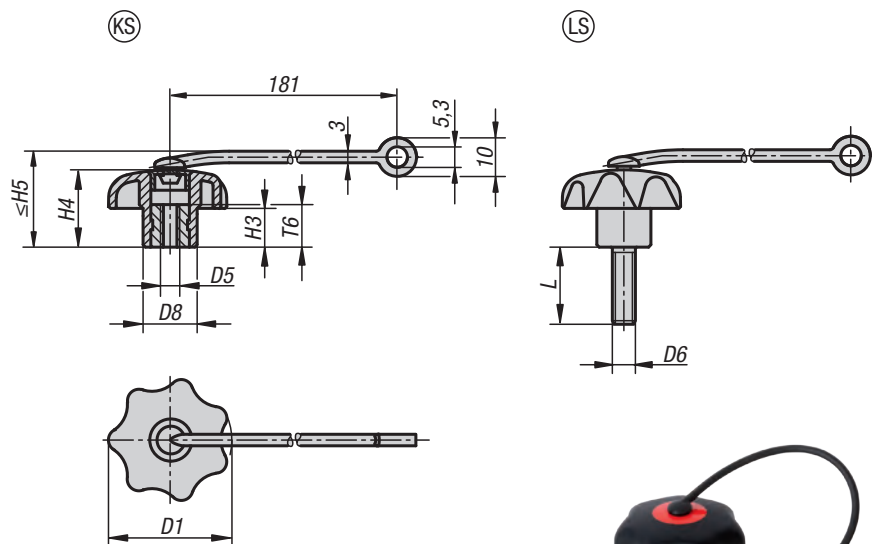
Order No.	Form	D1	D6	D8	H3	H4	H5 max.	L
K0155.705ΔX	LS	25	M5	12	8	16	22	10/15/20/25/30/35/40/45/50/60
K0155.706ΔX	LS	25	M6	12	8	16	22	10/15/20/25/30/35/40/45/50/60
K0155.7061ΔX	LS	32	M6	14	10	20	26	10/15/20/25/30/35/40/45/50/60
K0155.708ΔX	LS	32	M8	14	10	20	26	15/20/25/30/35/40/45/50/60
K0155.7081ΔX	LS	40	M8	18	13	25	31	15/20/25/30/35/40/45/50/60
K0155.710ΔX	LS	40	M10	18	13	25	31	15/20/25/30/35/40/45/50/60
K0155.7101ΔX	LS	50	M10	22	17	32	38	15/20/25/30/35/40/45/50/60
K0155.712ΔX	LS	50	M12	22	17	32	38	15/20/25/30/35/40/45/50/60
K0155.7102ΔX	LS	63	M10	26	21	40	46	20/25/30/35/40/45/50/60
K0155.7121ΔX	LS	63	M12	26	21	40	46	20/25/30/35/40/45/50/60
K0155.716ΔX	LS	63	M16	26	21	40	46	30/35/40/45/50/60

K0154



Star grips with safety band

similar to DIN 6336, metal parts stainless steel



Drawing reference:
 Form KS: tapped bush, with cap
 Form LS: male thread



Material:
 Grip thermoplastic.
 Bush and screw stainless steel 1.4305.
 Safety band elastic TPU.

Version:
 Bush and screw bright.

Sample order:
 K0154.7056X15
 (cap colour traffic red; include length L)

Note:
 Δ Add the desired cap colour code here. No colour code is required for black caps.

Attach the safety band to a base to make the star grip unlosable. The star grip cannot be moved far from the object to which it belongs, simplifying screwing and unscrewing of the grip and ensuring against loss.

Assembly:
 Do not stretch the band during assembly.
 Make sure that the anchor is not too far from where the star grip is to be used.

Accessories:
 The safety band is also available as an accessory, see K0743.04190.



KIPP Star grips with safety band, metal parts stainless steel, internal thread, Form KS

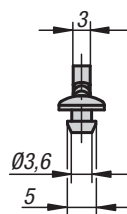
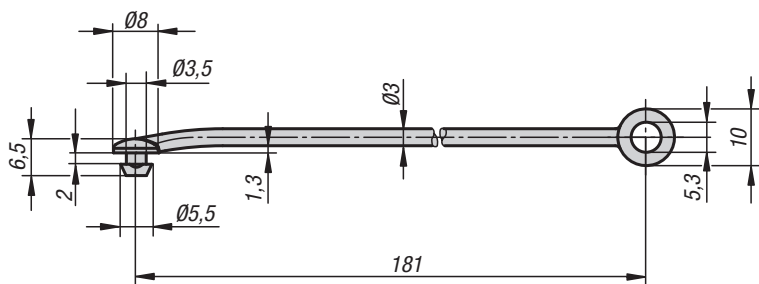
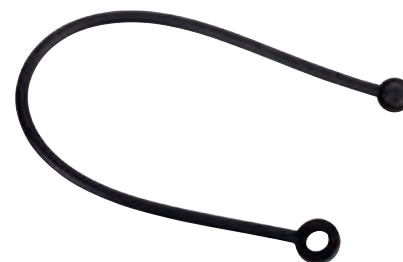
Order No.	Form	D1	D5	D8	H3	H4	H5 max.	T6
K0154.605Δ	KS	25	M5	12	8	16	22	10
K0154.606Δ	KS	32	M6	14	10	20	26	10
K0154.608Δ	KS	40	M8	18	13	25	31	14
K0154.610Δ	KS	50	M10	22	17	32	38	14
K0154.612Δ	KS	63	M12	26	21	40	46	18

KIPP Star grips with safety band, metal parts stainless steel, external thread, Form LS

Order No.	Form	D1	D6	D8	H3	H4	H5 max.	L
K0154.705ΔX	LS	25	M5	12	8	16	22	15/20
K0154.706ΔX	LS	32	M6	14	10	20	26	20/30
K0154.708ΔX	LS	40	M8	18	13	25	31	15/20/25/30/40/60
K0154.710ΔX	LS	50	M10	22	17	32	38	25/30/40/50/60

K0743

Safety band

**Material:**

Thermoplastic urethane TPU.

Sample order:

K0743.04190

Note:

This safety band has a high breaking strain and good elasticity.

Depending on the wall thickness, it can be attached to almost every operating part, fastening element or other object to make them unlosable.

It was especially conceived for the star grips K0154, K0155 to make them unlosable operating parts.

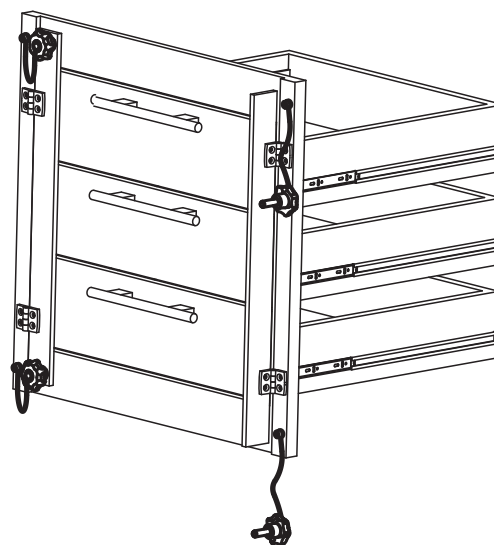
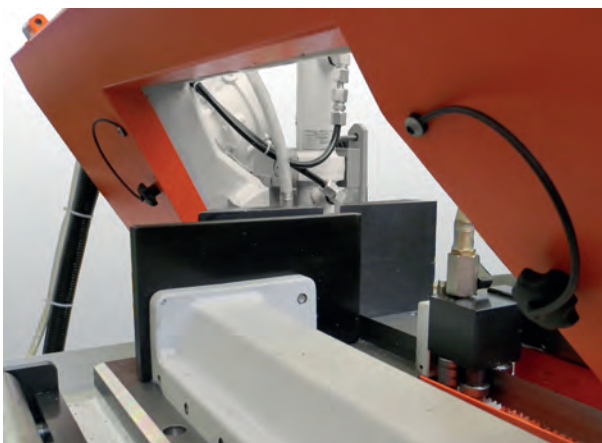
Refitting of existing star grips K0154, K0155 as well as knurled knobs K0260, K0261 and K0247 from our assortment is possible with this safety band.

Assembly:

Recommended hole $\varnothing 3.8_{-0.1}$

The hole edge should be deburred.

A Teflon based lubrication is recommended to aid assembly.

**KIPP Safety band**

Order No.

Dimensions

K0743.04190

see drawing

K0156

Star grips quick-acting



Material:

Black thermoplastic.
Bush steel.

Version:

Bush galvanised and blue passivated

Sample order:

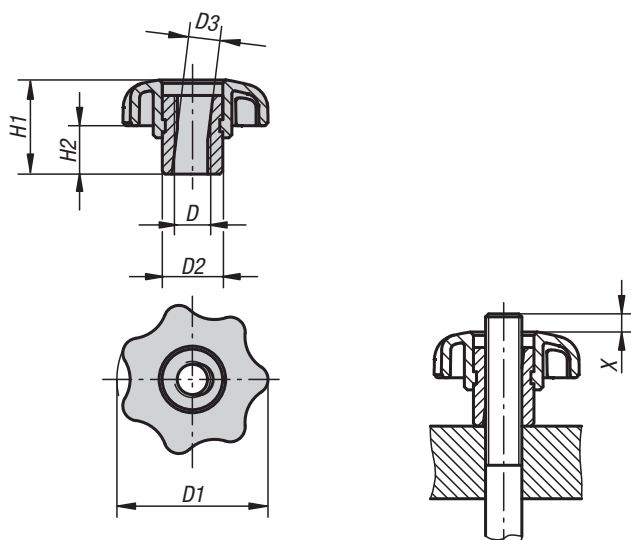
K0156.06

Note:

Quick-acting star grips can be used on all fixtures that do not require a high clamping force.
Tilt the grip to slide on, then straighten it to engage the threads.

Drawing reference:

X: The stud should be several mm longer than height "H1"



KIPP Star grips quick-acting

Order No.	D	D1	D2	D3	H1	H2
K0156.05	M5	25	10	5,2	16,6	9
K0156.06	M6	32	13,5	6,2	20,6	11
K0156.08	M8	40	13,5	8,3	24,5	13
K0156.10	M10	50	19	10,3	31,2	17
K0156.12	M12	63	19	12,7	39,3	21

K1088

Star grips

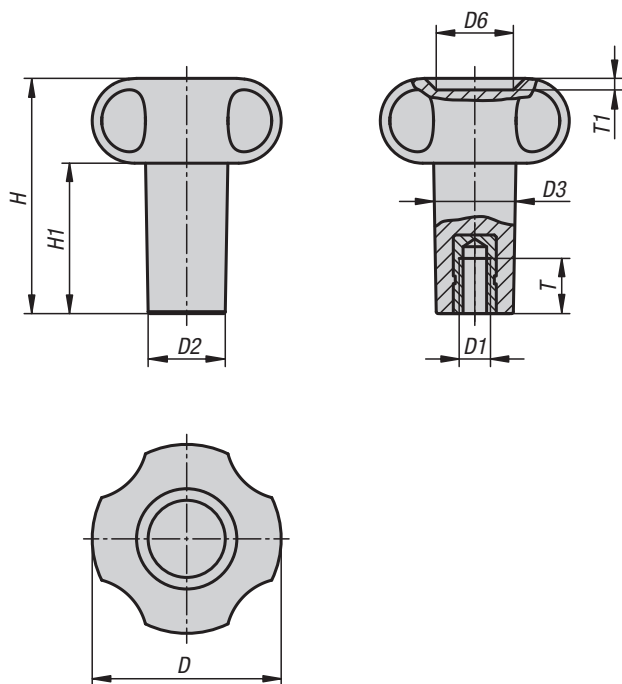
with extended hub



Material:
Fibreglass reinforced thermoplastic.
Tapped bush brass.

Version:
black.

Sample order:
K1088.2410685

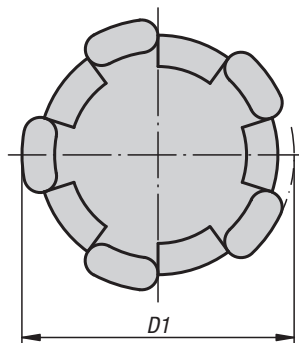
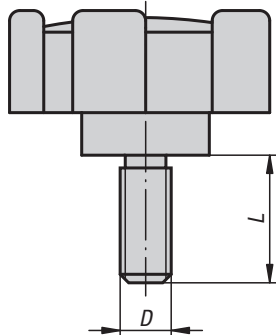
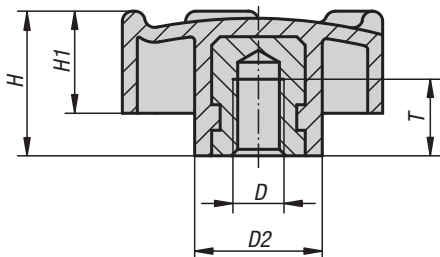


KIPP Star grips with extended hub

Order No.	Form	D	D1	D2	D3	D6	H	H1	T	T1
K1088.2410685	K	41	M6	14,8	15,5	12	85	66	18	3
K1088.2520861	K	52	M8	17,5	19	14	61	39	15	2,5
K1088.2521071	K	52	M10	18	20,5	14	71	49	15	2,5

K0276

Five lobe grips



NOVO grip five lobe grips make life easier. The ergonomic “rib-edge configuration” and the perfect proportions open up new sensible benefits.

Material:
Grip black grey thermoplastic.
Bush steel.
Threaded pin steel 5.8.

Version:
Bush galvanized.
Screw blue passivated.

Sample order:
K0276.3206

KIPP Five lobe grips with internal thread

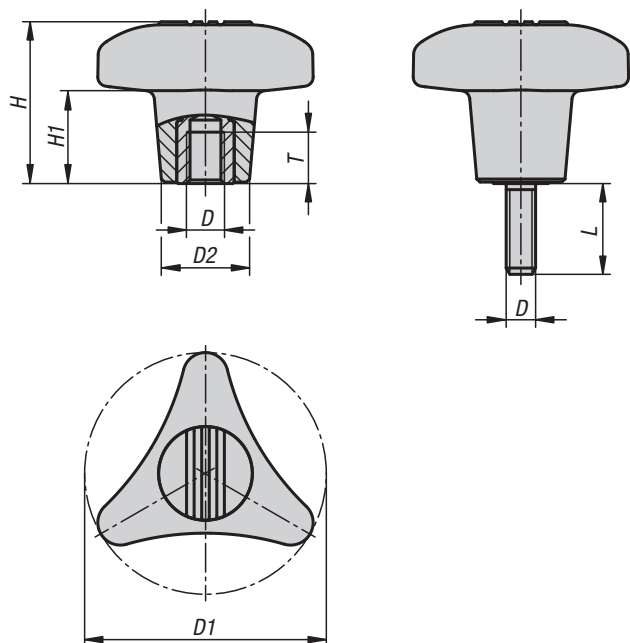
Order No.	Size	D	D1	D2	H	H1	T
K0276.3206	1	M6	32	15	17	12	9
K0276.4008	2	M8	40	18	20,5	14,5	11
K0276.5010	3	M10	50	20	25	18	14

KIPP Five lobe grips with external thread

Order No.	Size	D	D1	D2	H	H1	L
K0276.320615	1	M6	32	15	17	12	15
K0276.400816	2	M8	40	18	20,5	14,5	16
K0276.501020	3	M10	50	20	25	18	20

K1020

Triangular grips



Material:

Grip glass-bead reinforced thermoplastic.
Cap thermoplastic.
Steel parts grade 5.8.

Version:

Grip and cap black grey (RAL 7021).
Steel parts blue-passivated.

Sample order:

K1020.18010X15 (include length L)

On request:

Other screw lengths and colours.
Metal parts stainless steel.

KIPP Triangular grips, internal thread

Order No.	D	D1	D2	H	H1	T
K1020.18008	M8	80	29,2	53,5	31	17
K1020.18010	M10	80	29,2	53,5	31	17
K1020.18012	M12	80	29,2	53,5	31	17

KIPP Triangular grips, external thread

Order No.	D	D1	D2	H	H1	L
K1020.18008X	M8	80	29,2	53,5	31	15/20/30/40/50
K1020.18010X	M10	80	29,2	53,5	31	15/20/30/40/50
K1020.18012X	M12	80	29,2	53,5	31	15/20/30/40/50

K0183

Triangular grips

with high collar

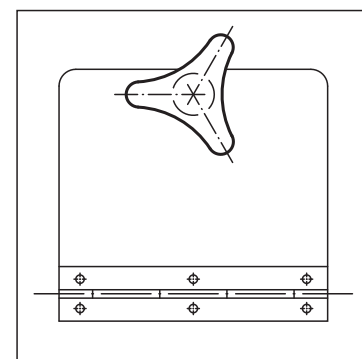
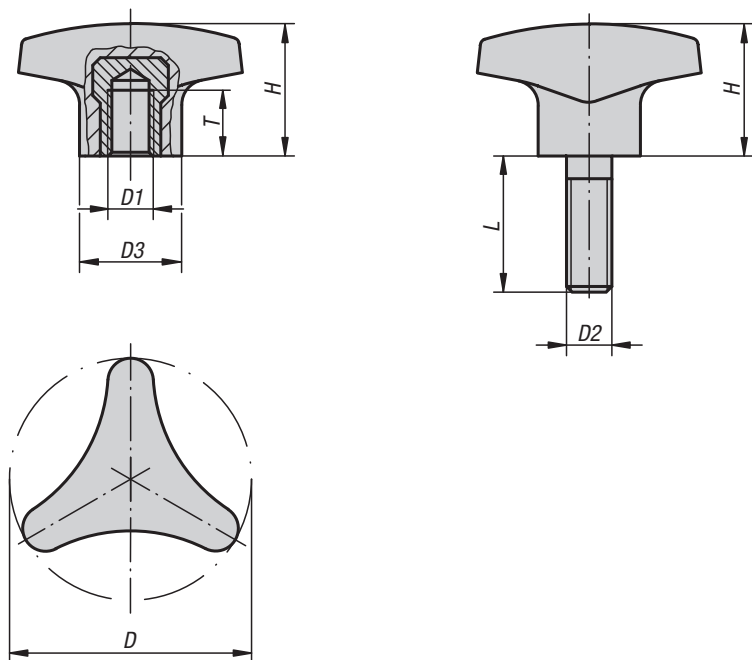


Material:
Black Duroplast PF 31.
Bush and screw galvanized steel or bright stainless steel.

Version:
High-gloss polished.

Sample order:
K0183.14008X20

On request:
Other screw sizes, screw lengths and colours.



KIPP Triangular grips with high collar, internal thread

Order No.	Component material	D	D1	D3	H	T
K0183.14006	steel	40	M6	14	22	12
K0183.15008	steel	50	M8	18	28	14
K0183.16210	steel	62	M10	22	35	14
K0183.24006	stainless steel	40	M6	12	22	9
K0183.25008	stainless steel	50	M8	15	28	13
K0183.26210	stainless steel	62	M10	18	35	13

KIPP Triangular grips with high collar, external thread

Order No.	Component material	D	D2	D3	H	L
K0183.14006X15	steel	40	M6	14	22	15
K0183.14008X20	steel	40	M8	14	22	20
K0183.15008X20	steel	50	M8	18	28	20
K0183.15010X25	steel	50	M10	22	28	25
K0183.16210X25	steel	62	M10	22	35	25
K0183.24006X20	stainless steel	40	M6	12	22	20
K0183.24008X20	stainless steel	40	M8	12	22	20
K0183.25008X20	stainless steel	50	M8	15	28	20
K0183.25010X30	stainless steel	50	M10	15	28	30
K0183.26210X30	stainless steel	62	M10	18	35	30

K1083

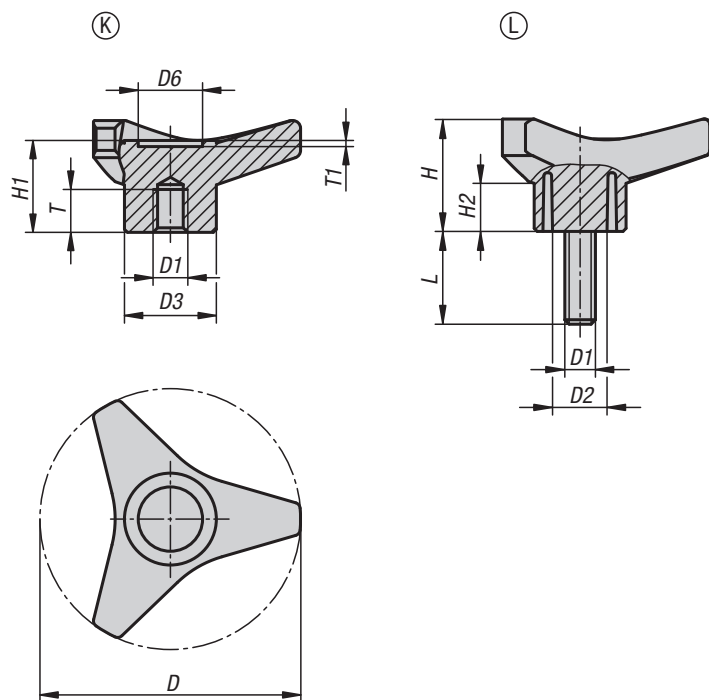
Triangular grips



Material:
Fibreglass reinforced thermoplastic.
Tapped bush brass.
Screw steel.

Version:
Grip, black.
Screw galvanized.

Sample order:
K1083.48510X20 (include length L)



KIPP Triangular grips with internal thread

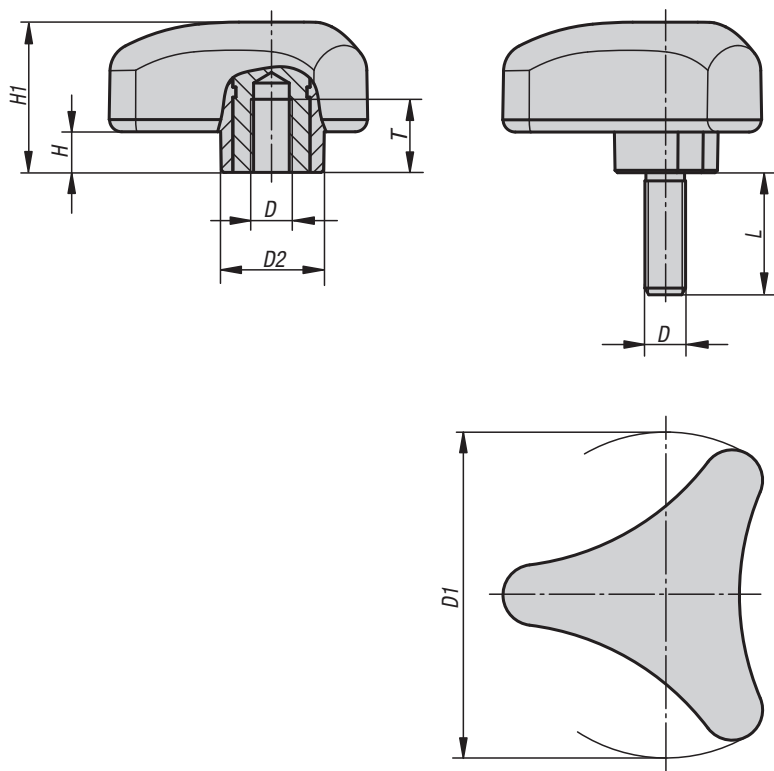
Order No.	Form	D	D1	D3	D6	H	H1	H2	T1	T
K1083.24506	K	45	M6	16	11	21	18	10	1	9
K1083.26508	K	65	M8	22	15,5	28	23,5	11,5	1,5	11
K1083.26510	K	65	M10	22	15,5	28	23,5	11,5	1,5	11
K1083.28510	K	85	M10	30	21	37	30,5	16	2	14
K1083.28512	K	85	M12	30	21	37	30,5	16	2	19
K1083.210512	K	105	M12	35	25	46	37,5	19	2	17
K1083.210514	K	105	M14	35	25	46	37,5	19	2	19

KIPP Triangular grips with external thread

Order No.	Form	D	D1	D2	D3	D6	H	H1	H2	T1	L
K1083.48508X	L	85	M8	18	30	21	37	30,5	16	2	20/30
K1083.48510X	L	85	M10	18	30	21	37	30,5	16	2	20/30
K1083.48512X	L	85	M12	18	30	21	37	30,5	16	2	20/40
K1083.410512X	L	105	M12	20	35	25	46	37,5	19	2	30/50

K0785

Triangular grips ergonomic



Material:

Hard components fibreglass reinforced plastic.
Soft components thermoplastic elastomer.
Bush or screw, steel grade 5.8 or stainless steel 1.4305.

Version:

Steel blue passivated.
Stainless steel, bright.

Sample order:

K0785.8008X20

Note:

The colour combination black grey RAL 7021 (hard components) and black grey RAL 7021 (soft components) are supplied as standard.

On request:

Other versions.

KIPP Triangular grips ergonomic with internal thread

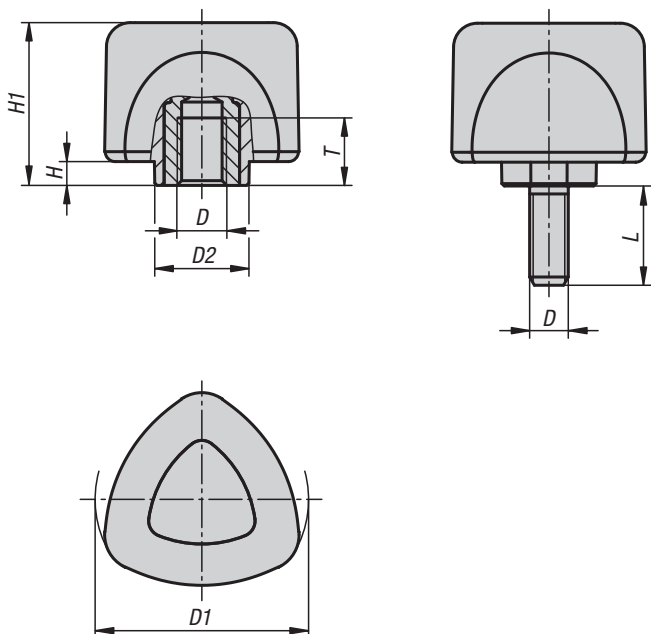
Order No.	Version	D	D1	D2	H	H1	T
K0785.8008	steel	M8	80	26	10	37	17
K0785.8010	steel	M10	80	26	10	37	17
K0785.8012	steel	M12	80	26	10	37	17
K0785.08008	stainless steel	M8	80	26	10	37	17
K0785.08010	stainless steel	M10	80	26	10	37	17
K0785.08012	stainless steel	M12	80	26	10	37	17

KIPP Triangular grips ergonomic with external thread

Order No.	Version	D	D1	D2	H	H1	L
K0785.8008X	steel	M8	80	26	10	37	20/25/30/40
K0785.8010X	steel	M10	80	26	10	37	30/40/50
K0785.8012X	steel	M12	80	26	10	37	30/40/50/60
K0785.08008X	stainless steel	M8	80	26	10	37	20/25/30/40
K0785.08010X	stainless steel	M10	80	26	10	37	30/40/50
K0785.08012X	stainless steel	M12	80	26	10	37	30/40/50/60

K0980

Triangular grips 2K ergonomic



Material:

Hard components fibreglass reinforced plastic.
Soft components thermoplastic elastomer.
Bush or screw, steel grade 5.8 or stainless steel 1.4305.

Version:

Steel blue passivated.
Stainless steel, bright.

Sample order:

K0980.5008X20

Note:

The colour combinations graphite black RAL 9011 (hard components) and black grey RAL 7021 (soft components) are supplied as standard.

The soft components ensure a non-slip grip of the operating part. The closed design offers sufficient protection against dirt.

On request:

Further colour combinations.

KIPP internal thread

Order No.	Component material	D	D1	D2	H	H1	T
K0980.5008	steel	M8	53,8	23,9	6	41	17
K0980.5010	steel	M10	53,8	23,9	6	41	17
K0980.6308	steel	M8	67,7	23,9	6	36	17
K0980.6310	steel	M10	67,7	23,9	6	36	17
K0980.05008	stainless steel	M8	53,8	23,9	6	41	17
K0980.05010	stainless steel	M10	53,8	23,9	6	41	17
K0980.06308	stainless steel	M8	67,7	23,9	6	36	17
K0980.06310	stainless steel	M10	67,7	23,9	6	36	17

KIPP external thread

Order No.	Component material	D	D1	D2	H	H1	L
K0980.5008X	steel	M8	53,8	23,9	6	41	20/25/30/40
K0980.5010X	steel	M10	53,8	23,9	6	41	20/25/30/40
K0980.6308X	steel	M8	67,7	23,9	6	36	20/25/30/40
K0980.6310X	steel	M10	67,7	23,9	6	36	20/25/30/40
K0980.05008X	stainless steel	M8	53,8	23,9	6	41	20/25/30/40
K0980.05010X	stainless steel	M10	53,8	23,9	6	41	20/25/30/40
K0980.06308X	stainless steel	M8	67,7	23,9	6	36	20/25/30/40
K0980.06310X	stainless steel	M10	67,7	23,9	6	36	20/25/30/40

Triangular torque grips


Material:

Grip glass-bead reinforced thermoplastic.
Cap thermoplastic.
Metal parts hardened stainless steel.

Version:

Grip and cap, black grey (RAL 7021).
Stainless steel parts, electropolished.

Sample order:

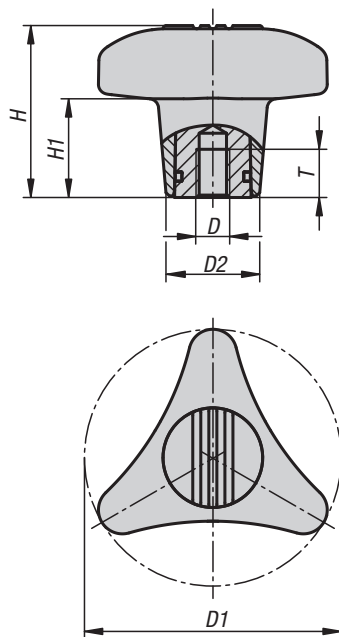
K1019.180105

Note:

An audible click signals when the maximum torque has been reached. The grip can only be tightened with the maximum torque specified in the table.

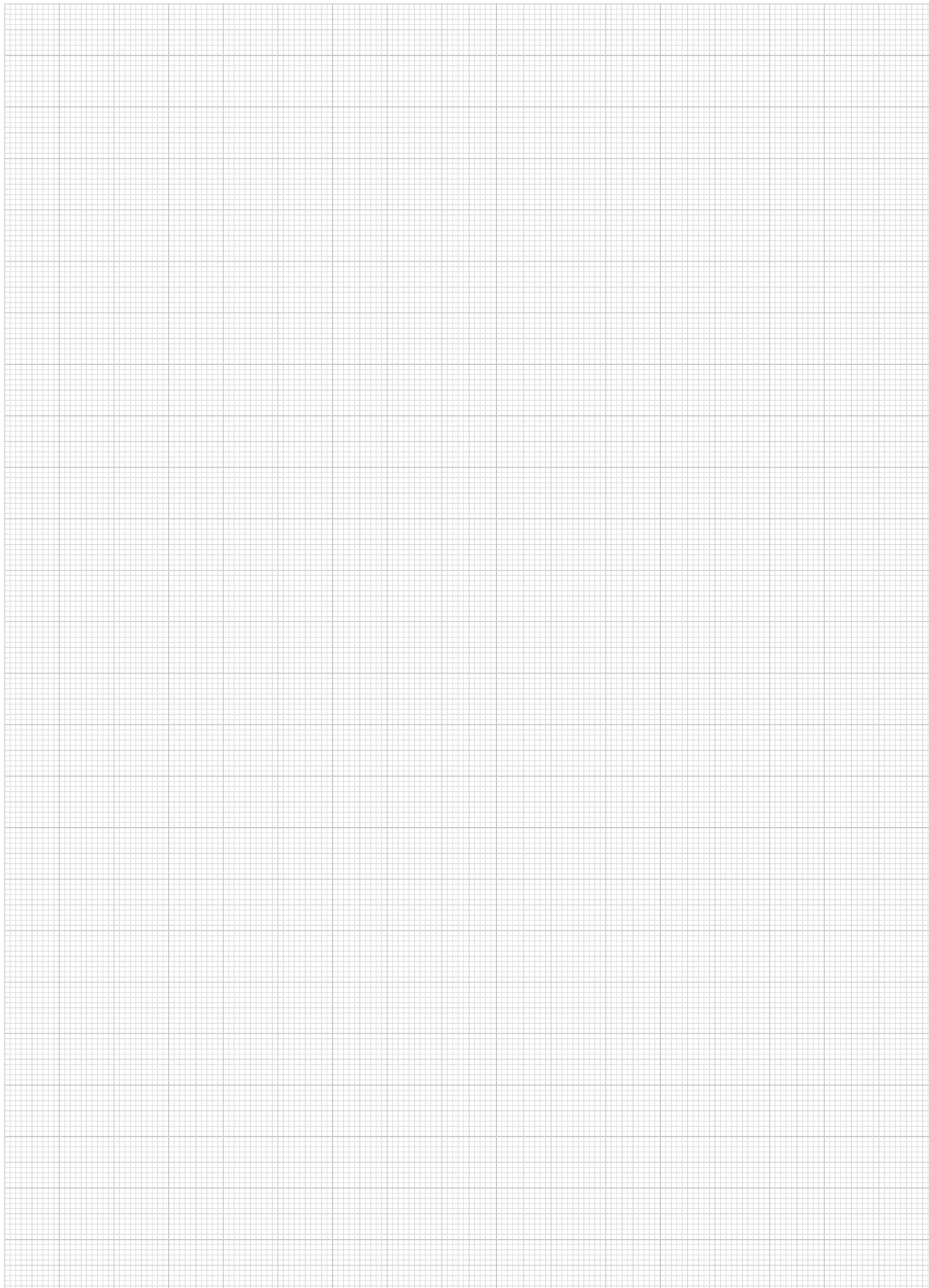
On request:

Other internal threads, maximum torques and colours.



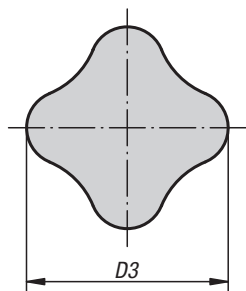
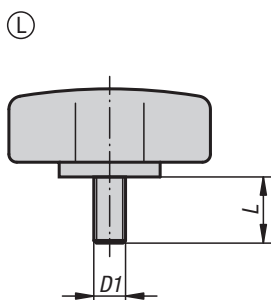
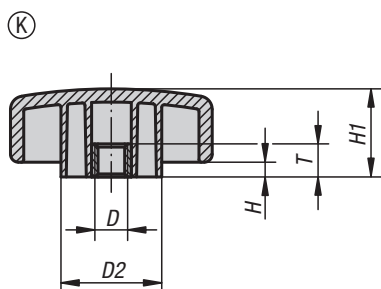
KIPP Triangular torque grips

Order No.	D	D1	D2	H	H1	T	Max. torque Nm
K1019.180085	M8	80	29,2	53,5	31	13	5
K1019.180105	M10	80	29,2	53,5	31	13	5
K1019.180125	M12	80	29,2	53,5	31	13	5



K0278

Four lobe grips flat



Extraordinary gripping safety combined with attractive design are key elements to outstanding functionality. The flat construction make these four lobe grips suitable for low working spaces.

Material, version:

Grip black hard thermoplastic.
Coating black soft thermoplastic.
Tapped bush brass.
Screw galvanized steel grade 5.8.

Sample order:

K0278.3506X20 (include length L)

Note:

SYMPA TOUCH flat four lobe grips are available in 5 sizes of internal and external threads.

On request:

Other screw sizes, screw lengths, versions and colours.

Four lobe grips flat



KIPP Four lobe grips, flat, with internal thread

Order No.	Form	D	D2	D3	H	H1	T
K0278.3505	K	M5	14,2	35,5	2,8	15,5	12,5
K0278.3506	K	M6	14,2	35,5	2,8	15,5	12,5
K0278.4405	K	M5	17,5	44,5	3,3	19,3	12,5
K0278.4406	K	M6	17,5	44,5	3,3	19,3	12,5
K0278.4408	K	M8	17,5	44,5	3,3	19,3	12,5
K0278.4410	K	M10	17,5	44,5	3,3	19,3	12,5
K0278.5005	K	M5	23,6	50,8	3,8	22,1	12,5
K0278.5006	K	M6	23,6	50,8	3,8	22,1	12,5
K0278.5008	K	M8	23,6	50,8	3,8	22,1	12,5
K0278.5010	K	M10	23,6	50,8	3,8	22,1	12,5
K0278.6306	K	M6	31,7	63,5	4,6	27,7	12,5
K0278.6308	K	M8	31,7	63,5	4,6	27,7	12,5
K0278.6310	K	M10	31,7	63,5	4,6	27,7	12,5
K0278.6312	K	M12	31,7	63,5	4,6	27,7	12,5
K0278.7608	K	M8	38,1	76,2	5,6	33,3	12,5
K0278.7610	K	M10	38,1	76,2	5,6	33,3	12,5
K0278.7612	K	M12	38,1	76,2	5,6	33,3	12,5

KIPP Flat four lobe grips, flat, with external thread

Order No.	Form	D1	D2	D3	H	H1	L
K0278.3506X	L	M6	14,2	35,5	2,8	15,5	15/20/25/35
K0278.4406X	L	M6	17,5	44,5	3,3	19,3	15/20/25/35
K0278.4408X	L	M8	17,5	44,5	3,3	19,3	16/25/35
K0278.4410X	L	M10	17,5	44,5	3,3	19,3	20/30/40/50
K0278.5006X	L	M6	23,6	50,8	3,8	22,1	15/20/25/35
K0278.5008X	L	M8	23,6	50,8	3,8	22,1	16/25/35
K0278.5010X	L	M10	23,6	50,8	3,8	22,1	30/40/50
K0278.6306X	L	M6	31,7	63,5	4,6	27,7	15/20/25/35
K0278.6308X	L	M8	31,7	63,5	4,6	27,7	16/25/35
K0278.6310X	L	M10	31,7	63,5	4,6	27,7	30/40/50
K0278.7608X	L	M8	38,1	76,2	5,6	33,3	16/25/35
K0278.7610X	L	M10	38,1	76,2	5,6	33,3	30/40/50

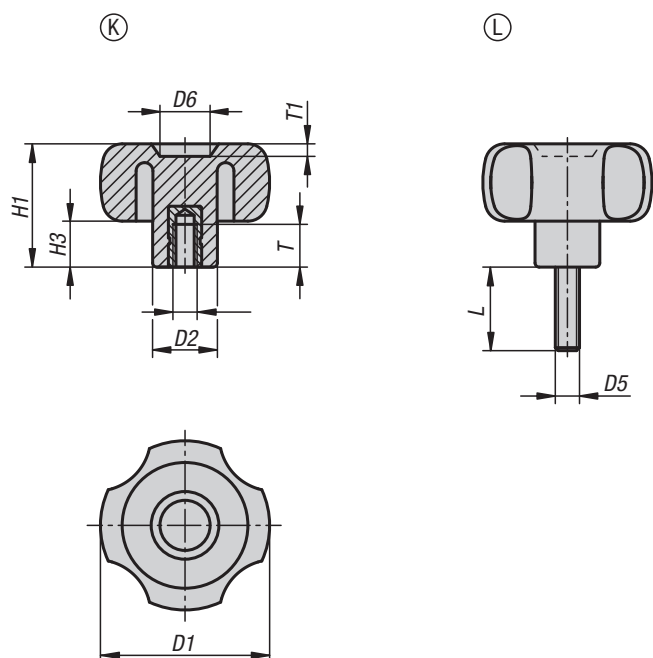
Four lobe grips



Material:
Fibreglass reinforced thermoplastic.
Tapped bush brass.
Screw steel.

Version:
Grip, black.
Screw galvanized.

Sample order:
K1093.43006X20 (include length L)



KIPP Four lobe grips with internal thread

Order No.	Form	D1	D2	D5	D6	H1	H3	T1	T
K1093.23006	K	30	15	M6	12	23	9,5	2	10
K1093.24006	K	40,5	15,5	M6	12	29,5	11	3	10
K1093.24008	K	40,5	15	M8	12	27,5	11	3	14
K1093.25208	K	52	20,5	M8	14,5	32,5	11	2,5	14
K1093.25210	K	52	20,5	M10	14,5	32,5	11	2,5	13
K1093.26010	K	59	23	M10	24	40	15	4	14
K1093.26012	K	59	23	M12	24	40	15	4	18

KIPP Four lobe grips with external thread

Order No.	Form	D1	D2	D5	D6	H1	H3	T1	L
K1093.43006X	L	30	15	M6	12	23	9,5	2	16/20/30/40/50
K1093.44006X	L	40,5	15,5	M6	12	29,5	11	3	16/20
K1093.44008X	L	40,5	15	M8	12	29,5	11	3	20/30/40
K1093.45208X	L	52	20,5	M8	14,5	32,5	11	2,5	16/20/30/40/50
K1093.46010X	L	59	23	M10	24	40	15	4	20/30/40/50
K1093.46012X	L	59	23	M12	24	40	15	4	50
K1093.48010X	L	79	30	M10	21	41	17	3	30/50
K1093.48012X	L	79	30	M12	21	41	17	3	50

K0185

Five lobe grips



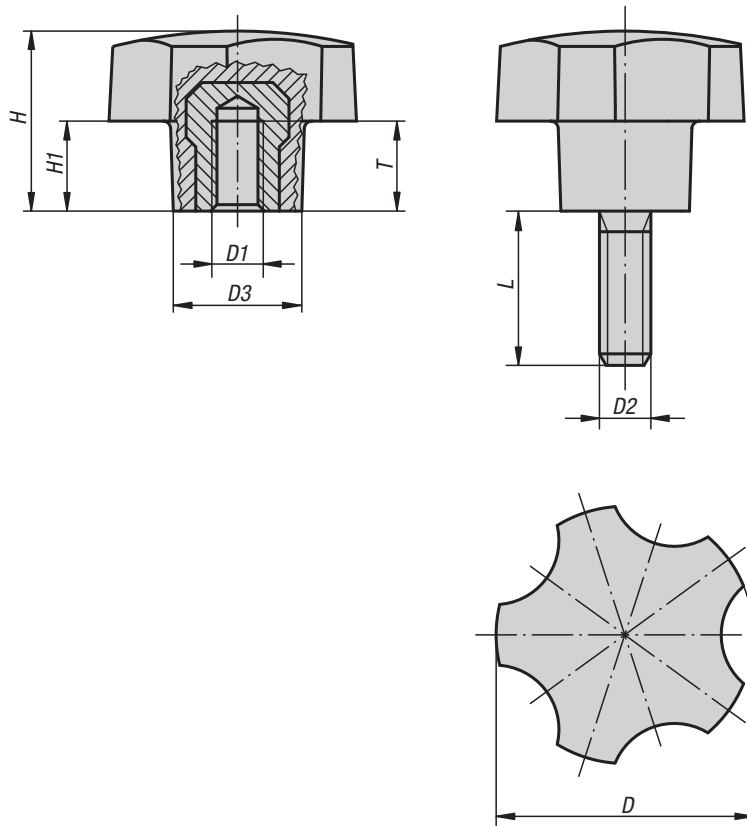
Material:
Duroplast PF 31, black.
Bush and stud galvanized steel.

Version:
High-gloss polished.

Sample order:
K0185.3206X12 (include length L)

Note:
The versions K0185.3205 and K0185.3206 have a brass bush.

On request:
Other screw sizes, screw lengths and colours.



KIPP Five lobe grips with internal thread

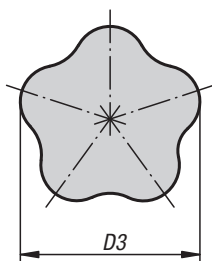
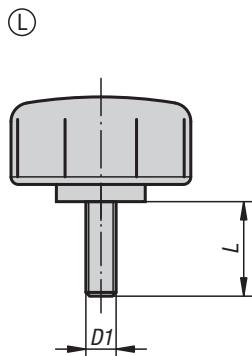
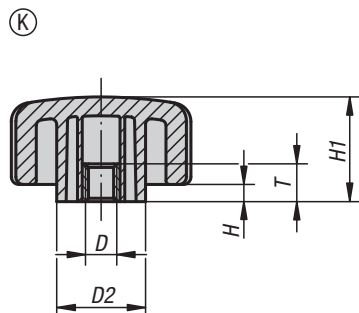
Order No.	D	D1	D3	H	H1	T
K0185.3205	32	M5	16	22,4	11,2	10
K0185.3206	32	M6	16	22,4	11,2	9
K0185.4006	40	M6	20	28	14	12
K0185.4008	40	M8	20	28	14	14
K0185.4010	40	M10	20	28	14	14
K0185.5008	50	M8	25	35	17,5	14
K0185.5010	50	M10	25	35	17,5	14

KIPP Five lobe grips with external thread

Order No.	D	D2	D3	H	H1	L
K0185.3206X	32	M6	16	22,4	11,2	12/18
K0185.3208X	32	M8	16	22,4	11,2	16/24
K0185.4006X	40	M6	20	28	14	18
K0185.4008X	40	M8	20	28	14	16/20/24
K0185.4010X	40	M10	20	28	14	30
K0185.5008X	50	M8	25	35	17,5	16/24
K0185.5010X	50	M10	25	35	17,5	20/30

K0279

Five lobe grips



The material and form lend this grip a natural and secure gripping effect.

Material, version:
 Grip black hard thermoplastic.
 Coating black soft thermoplastic.
 Tapped bush brass.
 Screw galvanized steel grade 5.8.

Sample order:
 K0279.4006X20 (include length L)

Note:
 SYMPA TOUCH five lobe grips are available in 3 sizes with internal and external threads.

On request:
 Other screw sizes, screw lengths, versions and colours.

KIPP Five lobe grips with internal thread

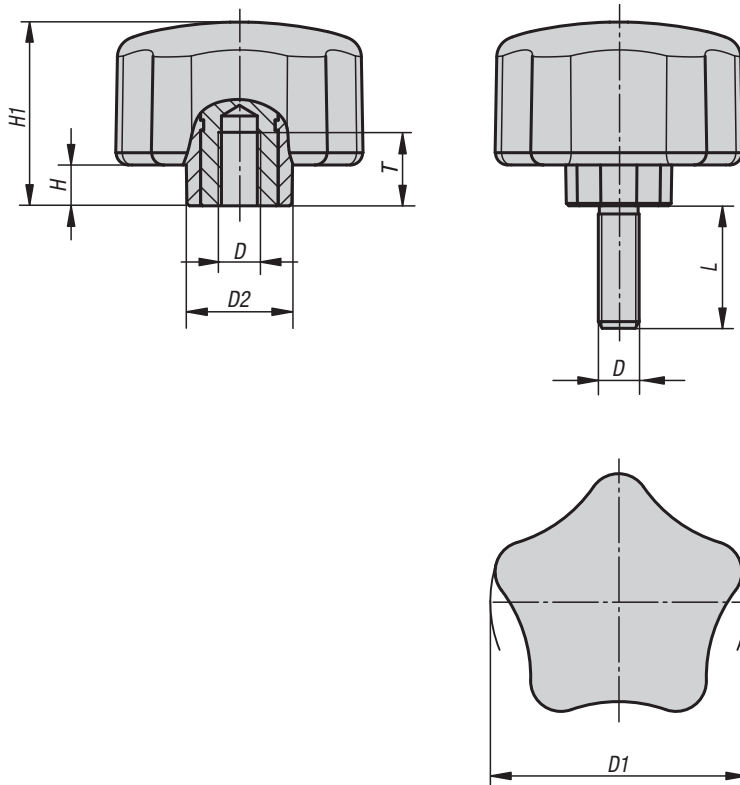
Order No.	Form	D	D2	D3	H	H1	T
K0279.4005	K	M5	19	40	4,6	27,7	12,5
K0279.4006	K	M6	19	40	4,6	27,7	12,5
K0279.4008	K	M8	19	40	4,6	27,7	12,5
K0279.4010	K	M10	19	40	4,6	27,7	12,5
K0279.5006	K	M6	23,5	50	4,6	27,7	12,5
K0279.5008	K	M8	23,5	50	4,6	27,7	12,5
K0279.5010	K	M10	23,5	50	4,6	27,7	12,5
K0279.6006	K	M6	31,8	60	4,6	27,7	12,5
K0279.6008	K	M8	31,8	60	4,6	27,7	12,5
K0279.6010	K	M10	31,8	60	4,6	27,7	12,5

KIPP Five lobe grips with external thread

Order No.	Form	D1	D2	D3	H	H1	L
K0279.4006X	L	M6	19	40	4,6	27,7	15/20/25/35
K0279.4008X	L	M8	19	40	4,6	27,7	16/25/35
K0279.4010X	L	M10	19	40	4,6	27,7	20/30/40/50
K0279.5006X	L	M6	23,5	50	4,6	27,7	15/20/25/35
K0279.5008X	L	M8	23,5	50	4,6	27,7	16/25/35
K0279.5010X	L	M10	23,5	50	4,6	27,7	30/40/50
K0279.6006X	L	M6	31,8	60	4,6	27,7	15/20/25/35
K0279.6008X	L	M8	31,8	60	4,6	27,7	16/25/35
K0279.6010X	L	M10	31,8	60	4,6	27,7	20/30/40/50

K0786

Five lobe grips ergonomic



Material:

Hard components fibreglass reinforced plastic.
Soft components thermoplastic elastomer.
Bush or screw, steel grade 5.8 or stainless steel 1.4305.

Version:

Steel blue passivated.
Stainless steel, bright.

Sample order:

K0786.6308X20

Note:

The colour combination black grey RAL 7021 (hard components) and black grey RAL 7021 (soft components) are supplied as standard.

On request:

Other versions.

KIPP Five lobe grips ergonomic with internal thread

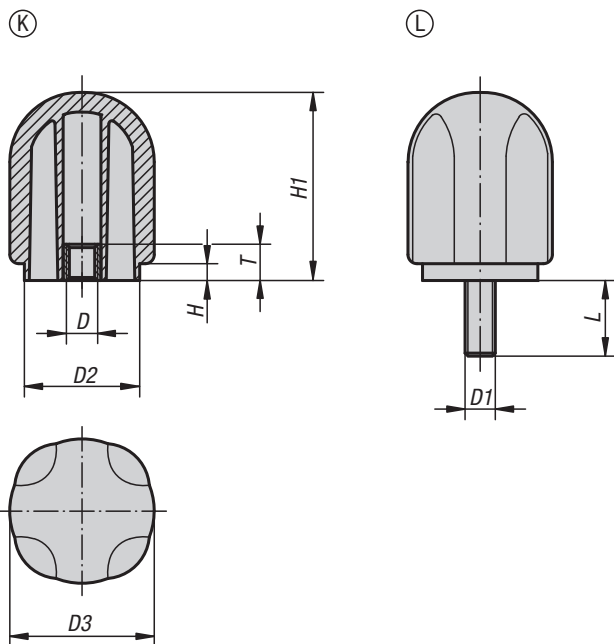
Order No.	Version	D	D1	D2	H	H1	T
K0786.6308	steel	M8	63	26	10	45	17
K0786.6310	steel	M10	63	26	10	45	17
K0786.06308	stainless steel	M8	63	26	10	45	17
K0786.06310	stainless steel	M10	63	26	10	45	17

KIPP Five lobe grips ergonomic with external thread

Order No.	Version	D	D1	D2	H	H1	L
K0786.6308X	steel	M8	63	26	10	45	20/25/30/40
K0786.6310X	steel	M10	63	26	10	45	30/40/50
K0786.06308X	stainless steel	M8	63	26	10	45	20/25/30/40
K0786.06310X	stainless steel	M10	63	26	10	45	30/40/50

K0280

Clamping grips high form



These grips are distinguished by their unusual design. The high form permits high clamping forces while being gentle to the hand.

Material, version:
 Grip black hard thermoplastic.
 Coating black soft thermoplastic.
 Tapped bush brass.
 Screw galvanized steel grade 5.8.

Sample order:
 K0280.4206X20 (include length L)

Note:
 SYMPA TOUCH high form clamping grips are available in 2 grip sizes with internal and external threads.

On request:
 Other screw sizes, screw lengths, versions and colours.

KIPP Clamping grips high form with internal thread

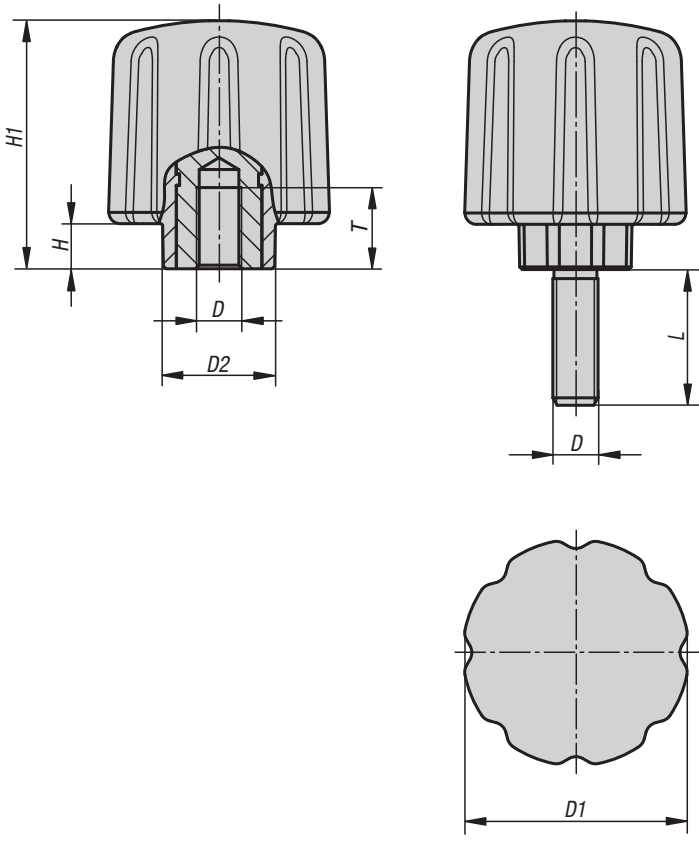
Order No.	Form	D	D2	D3	H	H1	T
K0280.4206	K	M6	34	42,7	4,8	55,6	12,5
K0280.4208	K	M8	34	42,7	4,8	55,6	12,5
K0280.4210	K	M10	34	42,7	4,8	55,6	12,5
K0280.4212	K	M12	34	42,7	4,8	55,6	12,5
K0280.4706	K	M6	38,1	47,8	5,6	62,2	12,5
K0280.4708	K	M8	38,1	47,8	5,6	62,2	12,5
K0280.4710	K	M10	38,1	47,8	5,6	62,2	12,5
K0280.4712	K	M12	38,1	47,8	5,6	62,2	12,5

KIPP Clamping grips high form with external thread

Order No.	Form	D1	D2	D3	H	H1	L
K0280.4206X	L	M6	34	42,7	4,8	55,6	15/20/25/35
K0280.4208X	L	M8	34	42,7	4,8	55,6	16/25/35
K0280.4210X	L	M10	34	42,7	4,8	55,6	20/30/40/50
K0280.4706X	L	M6	38,1	47,8	5,6	62,2	20/35
K0280.4708X	L	M8	38,1	47,8	5,6	62,2	35
K0280.4710X	L	M10	38,1	47,8	5,6	62,2	40/50

K0779

Clamping grips ergonomic



Material:
 Hard components fibreglass reinforced plastic.
 Soft components thermoplastic elastomer.
 Bush or screw, steel grade 5.8 or stainless steel 1.4305.

Version:
 Steel blue passivated.
 Stainless steel, bright.

Sample order:
 K0779.5006X20

Note:
 The colour combination black grey RAL 7021 (hard components) and black grey RAL 7021 (soft components) are supplied as standard.

On request:
 Other versions.

KIPP Clamping grips ergonomic with internal thread

Order No.	Version	D	D1	D2	H	H1	T
K0779.5006	Steel	M6	50	26	10	55	17
K0779.5008	Steel	M8	50	26	10	55	17
K0779.5010	Steel	M10	50	26	10	55	17
K0779.05006	Stainless steel	M6	50	26	10	55	17
K0779.05008	Stainless steel	M8	50	26	10	55	17
K0779.05010	Stainless steel	M10	50	26	10	55	17

KIPP Clamping grips ergonomic with external thread

Order No.	Version	D	D1	D2	H	H1	L
K0779.5006X	Steel	M6	50	26	10	55	15/20/25/30
K0779.5008X	Steel	M8	50	26	10	55	20/25/30/40
K0779.5010X	Steel	M10	50	26	10	55	30/40/50
K0779.05006X	Stainless steel	M6	50	26	10	55	15/20/25/30
K0779.05008X	Stainless steel	M8	50	26	10	55	20/25/30/40
K0779.05010X	Stainless steel	M10	50	26	10	55	30/40/50

K0281

Knurled screws



Due to their extremely flat design, these grips can be used in very cramped spaces. The fluting around the edge improves gripping.

Material, version:

Grip black hard thermoplastic.
Coating black soft thermoplastic.
Tapped bush brass.
Screw galvanized steel grade 5.8.

Sample order:

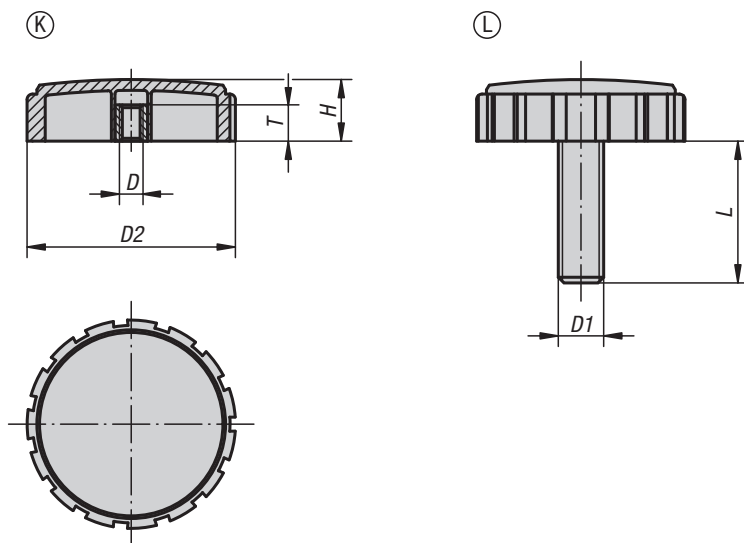
K0281.5706X20 (include length L)

Note:

SYMPA TOUCH Knurled screws are available in one grip size with internal and external threads.

On request:

Other screw sizes, screw lengths, versions and colours.



KIPP Knurled screw with internal thread

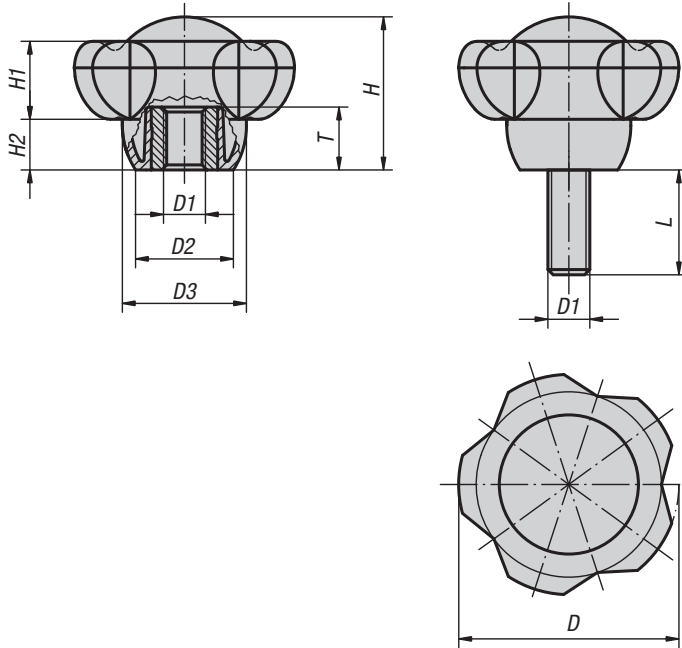
Order No.	Form	D	D2	H	T
K0281.5705	K	M5	57,4	17	12,5
K0281.5706	K	M6	57,4	17	12,5
K0281.5708	K	M8	57,4	17	12,5
K0281.5710	K	M10	57,4	17	12,5

KIPP Knurled screw with external thread

Order No.	Form	D1	D2	H	L
K0281.5706X	L	M6	57,4	17	15/20/25/35
K0281.5708X	L	M8	57,4	17	16/25/30/35
K0281.5710X	L	M10	57,4	17	30/40/50

K0255

Five lobe grips



This newly developed design eases operating and clamping processes. Completely new freedom of applications and the associated creativity contribute towards harmonizing human requirements and the stipulated grip safety.

Material:

Thermoplastic, black grey.
 Bush and screw steel 5.8 or stainless steel 1.4305.

Version:

Blue passivated steel or bright stainless steel.

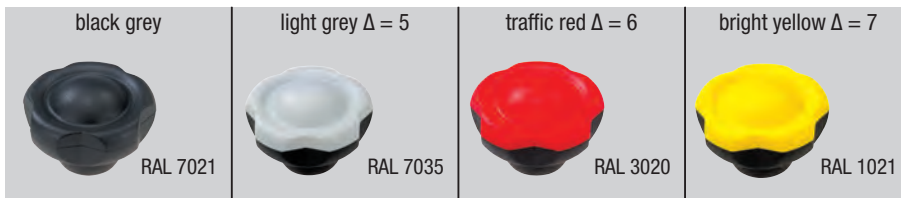
Sample order:

K0255.50106X30
 (cap colour traffic red; include length L)

Note:

The screw lengths 15, 35 and 45 are not available in stainless steel.

Δ Add the desired cap colour here. No colour code is required for black grey caps.



KIPP Five lobe grips with internal thread

Order No. Steel	Order No. Stainless steel	D	D1	D2	D3	H	H1	H2	T
K0255.5008Δ	K0255.50081Δ	50	M8	22,2	28,2	34,8	17,8	11,5	14
K0255.5010Δ	K0255.50101Δ	50	M10	22,2	28,2	34,8	17,8	11,5	14
K0255.5012Δ	K0255.50121Δ	50	M12	22,2	28,2	34,8	17,8	11,5	18
K0255.6310Δ	K0255.63101Δ	63	M10	28	35,5	44	22,5	14,5	14
K0255.6312Δ	K0255.63121Δ	63	M12	28	35,5	44	22,5	14,5	18
K0255.6316Δ	-	63	M16	28	35,5	44	22,5	14,5	18

KIPP Five lobe grips with external thread

Order No. Steel	Order No. Stainless steel	D	D1	D2	D3	H	H1	H2	L
K0255.5010ΔX	K0255.50101ΔX	50	M10	22,2	28,2	34,8	17,8	11,5	15/20/25/30/35/40/45/50/60
K0255.5012ΔX	-	50	M12	22,2	28,2	34,8	17,8	11,5	15/20/25/30/35/40/45/50/60
K0255.6310ΔX	K0255.63101ΔX	63	M10	28	35,5	44	22,5	14,5	20/25/30/35/40/45/50/60
K0255.6312ΔX	-	63	M12	28	35,5	44	22,5	14,5	20/25/30/35/40/45/50/60

K0255

Five lobe grips antibacterial

metal parts stainless steel



Material:
Thermoplastic, slate grey.
Bush and screw stainless steel 1.4305.

Version:
Stainless steel bright.

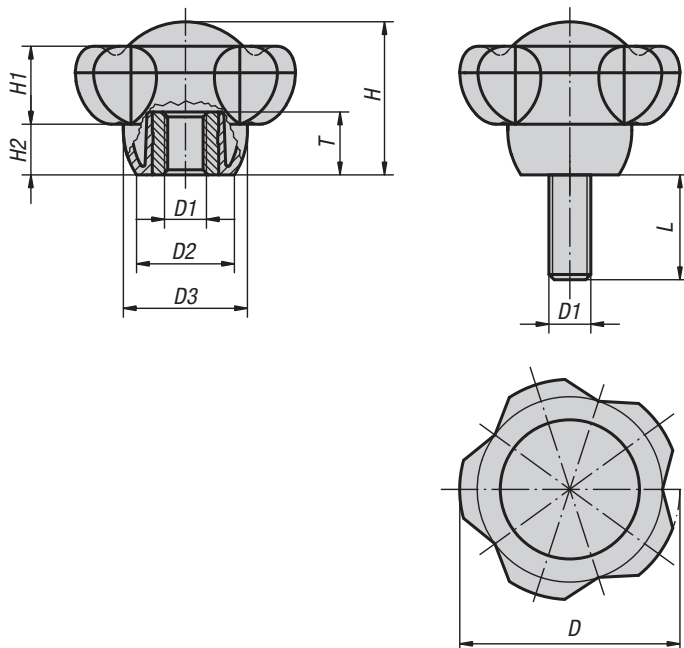
Sample order:
K0255.1263101144X20

Application:
The antibacterial KIPP MEDI grip products are highly effective against a variety of hazardous microorganisms, such as bacteria, fungi, viruses and even multi-resistant bacteria (e.g. MRSA). The plastic used incorporates micro-silver particles with an antimicrobial effect to ensure effective results throughout the entire product life cycle.

Function:
Silver ions are effective in preventing harmful microorganisms from forming on the product surface, promoting a constant reduction of the existing germs on the MEDI grip products (as tested and confirmed by an accredited testing laboratory). During cleaning cycles the risk of infection while touching these products is significantly lower.

Advantages:
Resistant to humidity and cleaning products (during disinfection) with no toxic side effects.

Applications:
For installation on machines, equipment, plants and furnishings in areas with increased hygienic requirements (including hospitals, doctors' surgeries, rehabilitation centres and food production facilities), as well as for use in public areas or regularly frequented institutions (i.e. nursing homes or daycare centres).



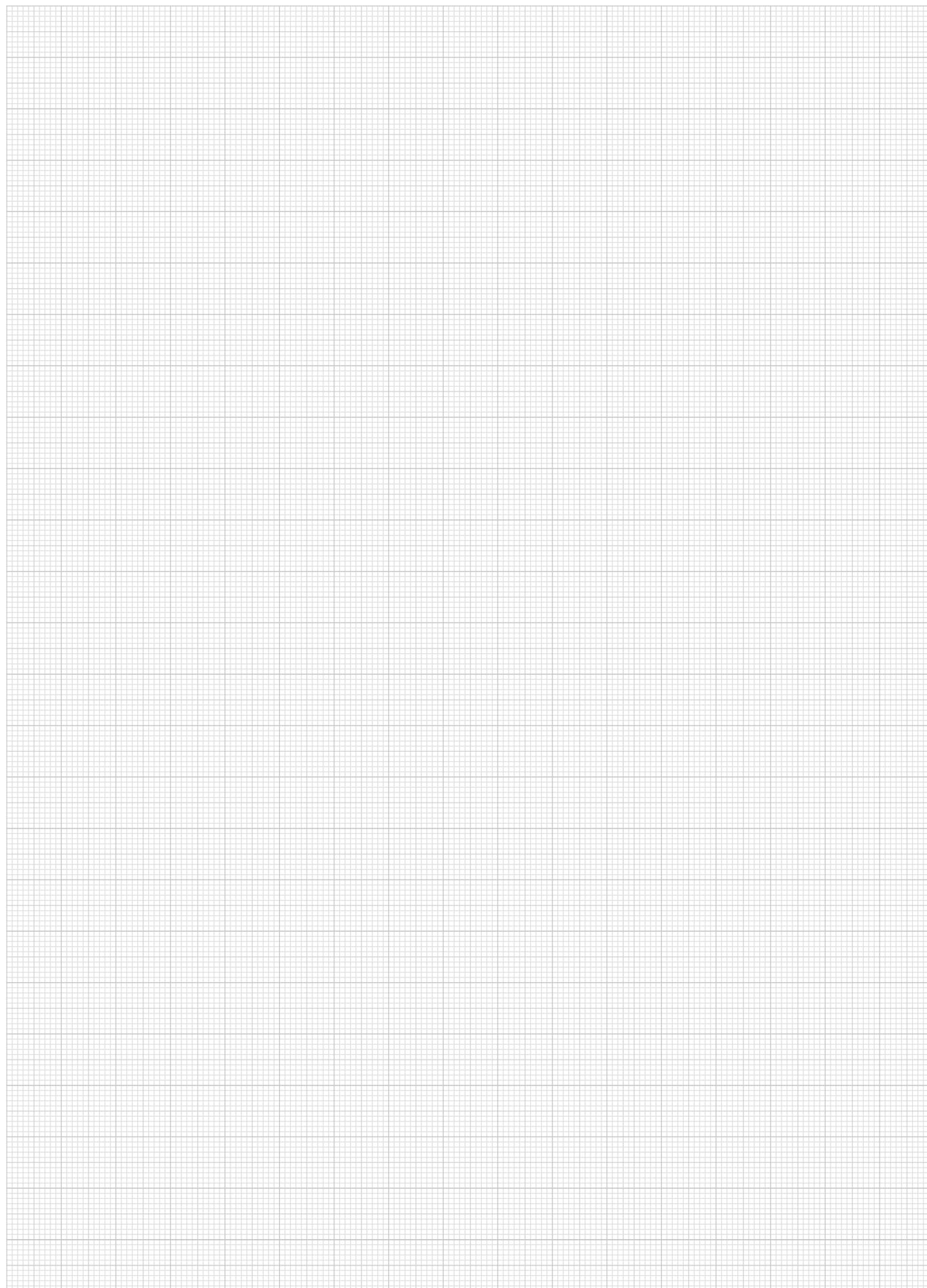
KIPP Five lobe grips antibacterial, metal parts stainless steel, internal thread

Order No.	D	D1	D2	D3	H	H1	H2	T
K0255.1263101144	63	M10	28	35,5	44	22,5	14,5	14

KIPP Five lobe grips antibacterial, metal parts stainless steel, external thread

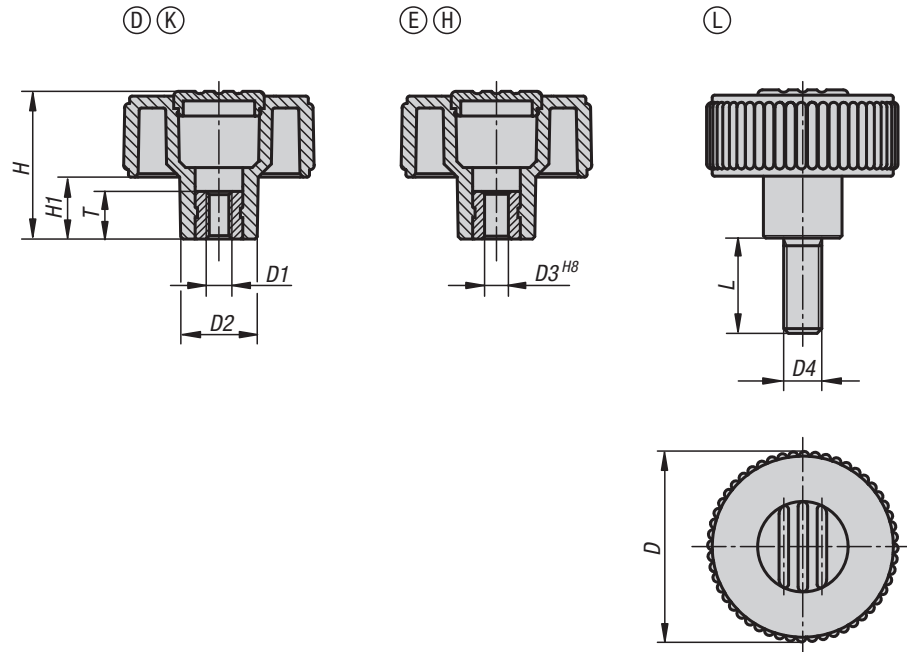
Order No.	D	D1	D2	D3	H	H1	H2	L
K0255.1263101144X20	63	M10	28	35,5	44	22,5	14,5	20

Notes



K0260

Knurled knobs



NOVO grip knurled knobs are characterized by their wide range of applications and outstanding design. The ergonomically designed knurled wheel guarantees absolutely secure and perfect handling.

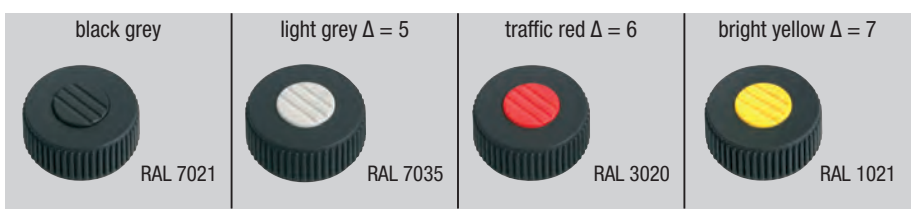
Material:
Thermoplastic, black grey.
Bush or screw steel 5.8.

Version:
Steel blue passivated.

Sample order:
K0260.41067
(cap colour bright yellow.)

Note:
Δ Add the desired cap colour here.
No colour code is required for black grey caps.

Drawing reference:
Form D: tapped bush without cap
Form K: tapped bush with cap
Form E: reamed bush without cap
Form H: reamed bush with cap
Form L: external thread



KIPP Knurled knobs Form D, with tapped bush, without cap

Order No.	Form	Size	D	D1	D2	H	H1	T
K0260.1105	D	1	40	M5	16,5	30	13	10
K0260.1106	D	1	40	M6	16,5	30	13	10
K0260.1108	D	1	40	M8	16,5	30	13	14
K0260.1208	D	2	50	M8	18	35	15	14
K0260.1210	D	2	50	M10	18	35	15	14
K0260.1310	D	3	63	M10	22	40	17	14
K0260.1312	D	3	63	M12	22	40	17	18

Knurled knobs



KIPP Knurled knobs Form K, with tapped bush, with cap

Order No.	Form	Size	D	D1	D2	H	H1	T
K0260.2105Δ	K	1	40	M5	16,5	31	13	10
K0260.2106Δ	K	1	40	M6	16,5	31	13	10
K0260.2108Δ	K	1	40	M8	16,5	31	13	14
K0260.2208Δ	K	2	50	M8	18	36	15	14
K0260.2210Δ	K	2	50	M10	18	36	15	14
K0260.2310Δ	K	3	63	M10	22	41	17	14
K0260.2312Δ	K	3	63	M12	22	41	17	18

KIPP Knurled knobs Form E, with reamed bush, without cap

Order No.	Form	Size	D	D2	D3	H	H1	T
K0260.3106	E	1	40	16,5	6	30	13	10
K0260.3208	E	2	50	18	8	35	15	14
K0260.3310	E	3	63	22	10	40	17	14

KIPP Knurled knobs Form H, with reamed bush, with cap

Order No.	Form	Size	D	D2	D3	H	H1	T
K0260.4106Δ	H	1	40	16,5	6	31	13	10
K0260.4208Δ	H	2	50	18	8	36	15	14
K0260.4310Δ	H	3	63	22	10	41	17	14

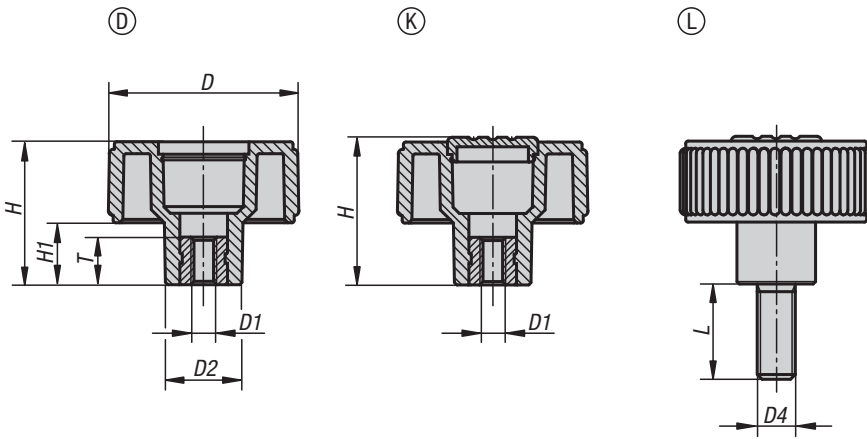
KIPP Knurled knobs Form L, with external thread

Order No.	Form	Size	D	D2	D4	H	H1	L
K0260.5105ΔX	L	1	40	16,5	M5	31	13	10/20/40
K0260.5106ΔX	L	1	40	16,5	M6	31	13	10/20/40
K0260.5108ΔX	L	1	40	16,5	M8	31	13	15/30/60
K0260.5208ΔX	L	2	50	18	M8	36	15	15/30/60
K0260.5210ΔX	L	2	50	18	M10	36	15	20/30/60
K0260.5310ΔX	L	3	63	22	M10	41	17	20/30/60
K0260.5312ΔX	L	3	63	22	M12	41	17	30/60

K0261

Knurled knobs

metal parts stainless steel



NOVO grip knurled knobs are characterized mainly by their wide range of applications and their outstanding design. The ergonomically designed knurled wheel guarantees absolutely secure and perfect handling.

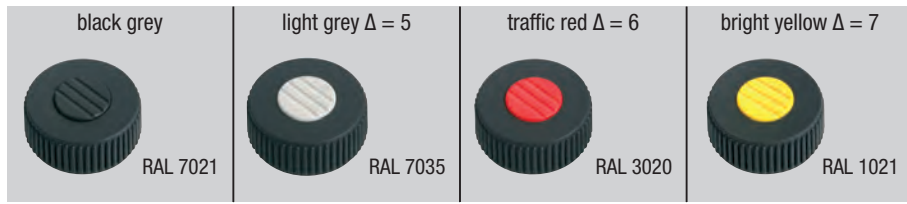
Material:
Thermoplastic, black grey.
Bush and screw stainless steel 1.4305.

Version:
Stainless steel bright.

Sample order:
K0261.51056X10
(cap colour traffic red; include length L.)

Note:
Δ Add the desired cap colour here. No colour code is required for black grey caps.

Drawing reference:
Form D: tapped bush without cap
Form K: tapped bush with cap
Form L: external thread



KIPP Knurled knobs, metal parts stainless steel, Form D, with tapped bush, without cap

Order No.	Form	Size	D	D1	D2	H	H1	T
K0261.1105	D	1	40	M5	16,5	30	13	10
K0261.1106	D	1	40	M6	16,5	30	13	10
K0261.1108	D	1	40	M8	16,5	30	13	14
K0261.1208	D	2	50	M8	18	35	15	14
K0261.1210	D	2	50	M10	18	35	15	14
K0261.1310	D	3	63	M10	22	40	17	14
K0261.1312	D	3	63	M12	22	40	17	18

Knurled knobs

metal parts stainless steel



KIPP Knurled knobs, metal parts stainless steel, Form K, with tapped bush, with cap

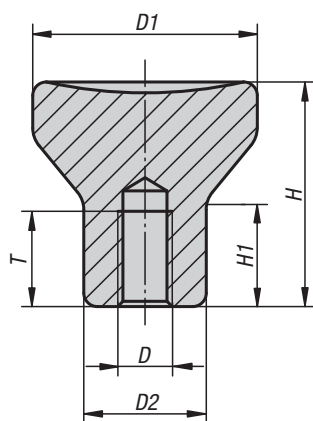
Order No.	Form	Size	D	D1	D2	H	H1	T
K0261.2105Δ	K	1	40	M5	16,5	31	13	10
K0261.2106Δ	K	1	40	M6	16,5	31	13	10
K0261.2108Δ	K	1	40	M8	16,5	31	13	14
K0261.2208Δ	K	2	50	M8	18	36	15	14
K0261.2210Δ	K	2	50	M10	18	36	15	14
K0261.2310Δ	K	3	63	M10	22	41	17	14
K0261.2312Δ	K	3	63	M12	22	41	17	18

KIPP Knurled knobs, metal parts stainless steel, Form L, with external thread

Order No.	Form	Size	D	D2	D4	H	H1	L
K0261.5105ΔX	L	1	40	16,5	M5	31	13	10/20
K0261.5106ΔX	L	1	40	16,5	M6	31	13	10/20/40
K0261.5108ΔX	L	1	40	16,5	M8	31	13	15/30/60
K0261.5208ΔX	L	2	50	18	M8	36	15	15/30/60
K0261.5210ΔX	L	2	50	18	M10	36	15	20/30/60
K0261.5310ΔX	L	3	63	22	M10	41	17	20/30/60

Mushroom knobs

internal thread



Material:

Steel, stainless steel and aluminium.

Version:

Steel galvanized and blue passivated.
Stainless steel electropolished or blasted.
Aluminium natural tone anodized.

Sample order:

K0250.104

On request:

With external threads.

KIPP Mushroom knobs with internal thread

Order No.	Main material	Version	D	D1	D2	H	H1	T
K0250.0902	steel	galvanized and blue chromed	M2	14	8	14	6,7	4
K0250.0003	steel	galvanized and blue chromed	M3	18	10	18	8,6	7,5
K0250.0104	steel	galvanized and blue chromed	M4	21	12	21	10	10
K0250.0105	steel	galvanized and blue chromed	M5	21	12	21	10	12,5
K0250.0206	steel	galvanized and blue chromed	M6	25	14	25	12	12
K0250.0308	steel	galvanized and blue chromed	M8	33	18	33	16	16
K0250.0410	steel	galvanized and blue chromed	M10	40	24	40	18,7	20
K0250.902	stainless steel	electropolished	M2	14	8	14	6,7	4
K0250.003	stainless steel	electropolished	M3	18	10	18	8,6	7,5
K0250.104	stainless steel	electropolished	M4	21	12	21	10	10
K0250.105	stainless steel	electropolished	M5	21	12	21	10	12,5
K0250.206	stainless steel	electropolished	M6	25	14	25	12	12
K0250.308	stainless steel	electropolished	M8	33	18	33	16	16
K0250.410	stainless steel	electropolished	M10	40	24	40	18,7	20
K0250.1902	aluminium	natural colour anodized	M2	14	8	14	6,7	4
K0250.1003	aluminium	natural colour anodized	M3	18	10	18	8,6	7,5
K0250.1104	aluminium	natural colour anodized	M4	21	12	21	10	10
K0250.1105	aluminium	natural colour anodized	M5	21	12	21	10	12,5
K0250.1206	aluminium	natural colour anodized	M6	25	14	25	12	12
K0250.1308	aluminium	natural colour anodized	M8	33	18	33	16	16
K0250.1410	aluminium	natural colour anodized	M10	40	24	40	18,7	20
K0250.2902	stainless steel	blasted	M2	14	8	14	6,7	4
K0250.2003	stainless steel	blasted	M3	18	10	18	8,6	7,5
K0250.2104	stainless steel	blasted	M4	21	12	21	10	10
K0250.2105	stainless steel	blasted	M5	21	12	21	10	12,5
K0250.2206	stainless steel	blasted	M6	25	14	25	12	12
K0250.2308	stainless steel	blasted	M8	33	18	33	16	16
K0250.2410	stainless steel	blasted	M10	40	24	40	18,7	20

K0251

Mushroom knobs

internal thread



NOVO grip mushroom knobs provide a special form of gripping: absolutely secure, quick and easy. This new form of gripping represented by the NOVO grip mushroom knob is unique. Find out for yourself!

Material:

Thermoplastic, black grey.
Bush steel 5.8 or stainless steel 1.4305.

Version:

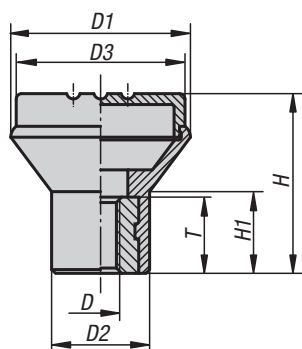
Blue passivated steel or bright stainless steel.

Sample order:

K0251.046 (cap colour traffic red.)

Note:

Δ Add the desired cap colour here. No colour code is required for black grey caps.



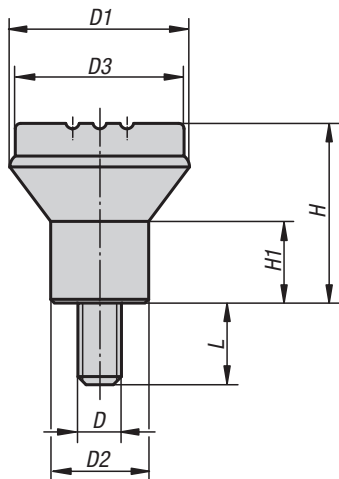
KIPP Mushroom knobs with internal thread

Order No. Steel	Order No. Stainless steel	Size	D	D1	D2	D3	H	H1	T
K0251.04Δ	K0251.004Δ	1	M4	21	12	19	21	10	10
K0251.05Δ	K0251.005Δ	1	M5	21	12	19	21	10	10
K0251.06Δ	K0251.006Δ	2	M6	25	14	23	25	12	10
K0251.08Δ	K0251.008Δ	3	M8	33	19	31	33	15	14

K0251

Mushroom knobs

external thread



NOVO grip mushroom knobs provide a special form of gripping: absolutely secure, quick and easy. This new form of gripping represented by the NOVO grip mushroom knob is unique. Find out for yourself!

Material:

Thermoplastic, black grey.
Screw steel 5.8 or stainless steel 1.4305.

Version:

Blue passivated steel or bright stainless steel.

Sample order:

K0251.046X10 (cap colour traffic red; include length L)

Note:

Δ Add the desired cap colour here. No colour code is required for black grey caps.



KIPP Mushroom knobs with external thread

Order No. Steel	Order No. Stainless steel	Size	D	D1	D2	D3	H	H1	L
K0251.04ΔX10	K0251.004ΔX10	1	M4	21	12	19	21	10	10
K0251.05ΔX10	K0251.005ΔX10	1	M5	21	12	19	21	10	10
K0251.06ΔX15	K0251.006ΔX15	2	M6	25	14	23	25	12	15
K0251.08ΔX15	K0251.008ΔX15	3	M8	33	19	31	33	15	15

K0251

Mushroom knobs biopolymer

internal thread

**Material:**

Biopolymer, beech.

Bush steel 5.8

Version:

Bush galvanized and blue passivated

Natural beech with beech fibres or coloured black grey.

Sample order:

K0251.1005143

Advantages:

This biopolymer is manufactured entirely from renewable raw materials (oil free).

Conservation of finite fossil resources.

The wood fibres originate 100% from local forests in Germany.

PEFC certified (guarantees that wood products originate from sustainably managed forests).

Features:

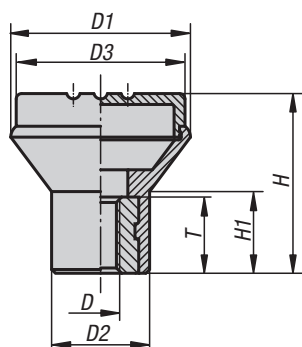
Excellent mechanical stability (certified with a minimum of 2x safety factor).

Biopolymer is suitable for recycling (comparable to thermoplastics).

Suitable for outdoor use (not biodegradable).

Excellent resistance to strong acids and lyes.

Short-term resistance to alcohol, fuel, mineral oil and grease.

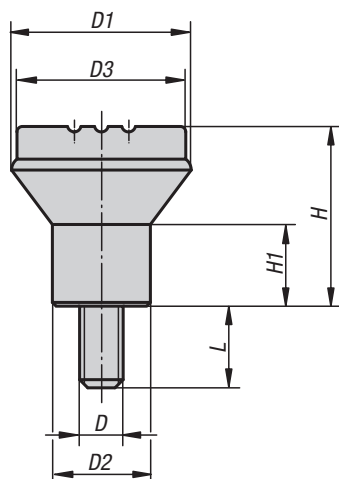


KIPP Mushroom knobs biopolymer with internal thread

Order No.	Main colour	Size	D	D1	D2	D3	H	H1	T
K0251.1005143	natural beech	1	M5	21	12	19	21	10	10
K0251.1006143	natural beech	2	M6	25	14	23	25	12	10
K0251.1008143	natural beech	3	M8	33	19	33	33	15	14
K0251.100590	black grey RAL 7021	1	M5	21	12	19	21	10	10
K0251.100690	black grey RAL 7021	2	M6	25	14	23	25	12	10
K0251.100890	black grey RAL 7021	3	M8	33	19	33	33	15	14

Mushroom knobs biopolymer

external thread



Material:

Biopolymer, beech.
Threaded pin steel 5.8.

Version:

Screw galvanized and blue passivated.
Natural beech with beech fibres or coloured black grey.

Sample order:

K0251.100590X10

Advantages:

This biopolymer is manufactured entirely from renewable raw materials (oil free).
Conservation of finite fossil resources.
The wood fibres originate 100% from local forests in Germany.
PEFC certified (guarantees that wood products originate from sustainably managed forests).

Features:

Excellent mechanical stability (certified with a minimum of 2x safety factor).
Biopolymer is suitable for recycling (comparable to thermoplastics).
Suitable for outdoor use (not biodegradable).
Excellent resistance to strong acids and lyes.
Short-term resistance to alcohol, fuel, mineral oil and grease.

KIPP Mushroom knobs biopolymer with external thread

Order No.	Main colour	Size	D	D1	D2	D3	H	H1	L
K0251.1005143X10	natural beech	1	M5	21	12	19	21	10	10
K0251.1006143X15	natural beech	2	M6	25	14	23	25	12	15
K0251.1008143X15	natural beech	3	M8	33	19	33	33	15	15
K0251.100590X10	black grey RAL 7021	1	M5	21	12	19	21	10	10
K0251.100690X15	black grey RAL 7021	2	M6	25	14	23	25	12	15
K0251.100890X15	black grey RAL 7021	3	M8	33	19	33	33	15	15

K0251

Mushroom knobs antibacterial

internal thread, metal parts stainless steel

**Material:**Thermoplastic, slate grey.
Bush stainless steel 1.4305.**Version:**

Stainless steel bright.

Sample order:

K0251.12005144

Application:

The antibacterial KIPP MEDI grip products are highly effective against a variety of hazardous microorganisms, such as bacteria, fungi, viruses and even multi-resistant bacteria (e.g. MRSA). The plastic used incorporates micro-silver particles with an antimicrobial effect to ensure effective results throughout the entire product life cycle.

Function:

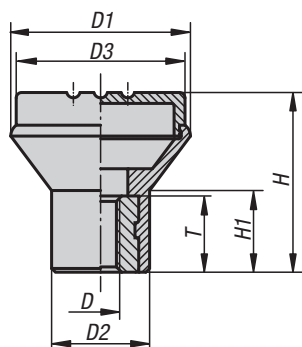
Silver ions are effective in preventing harmful microorganisms from forming on the product surface, promoting a constant reduction of the existing germs on the MEDI grip products (as tested and confirmed by an accredited testing laboratory). During cleaning cycles the risk of infection while touching these products is significantly lower.

Advantages:

Resistant to humidity and cleaning products (during disinfection) with no toxic side effects.

Applications:

For installation on machines, equipment, plants and furnishings in areas with increased hygienic requirements (including hospitals, doctors' surgeries, rehabilitation centres and food production facilities), as well as for use in public areas or regularly frequented institutions (i.e. nursing homes or daycare centres).

**KIPP Mushroom knobs antibacterial internal thread, metal parts stainless steel**

Order No.	Component material	Size	D	D1	D2	D3	H	H1	T
K0251.12005144	Stainless steel	1	M5	21	12	19	21	10	10

K0251

Mushroom knobs antibacterial

external thread, metal parts stainless steel

**Material:**

Thermoplastic, slate grey.

Threaded pin stainless steel 1.4305.

Version:

Stainless steel bright.

Sample order:

K0251.12005144X10

Application:

The antibacterial KIPP MEDI grip products are highly effective against a variety of hazardous microorganisms, such as bacteria, fungi, viruses and even multi-resistant bacteria (e.g. MRSA). The plastic used incorporates micro-silver particles with an antimicrobial effect to ensure effective results throughout the entire product life cycle.

Function:

Silver ions are effective in preventing harmful microorganisms from forming on the product surface, promoting a constant reduction of the existing germs on the MEDI grip products (as tested and confirmed by an accredited testing laboratory).

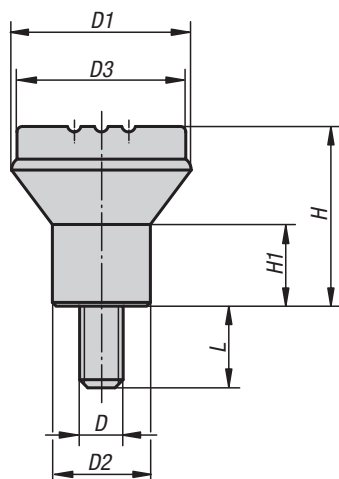
During cleaning cycles the risk of infection while touching these products is significantly lower.

Advantages:

Resistant to humidity and cleaning products (during disinfection) with no toxic side effects.

Applications:

For installation on machines, equipment, plants and furnishings in areas with increased hygienic requirements (including hospitals, doctors' surgeries, rehabilitation centres and food production facilities), as well as for use in public areas or regularly frequented institutions (i.e. nursing homes or daycare centres).

**KIPP Mushroom knobs antibacterial, external thread, metal parts stainless steel**

Order No.	Component material	Size	D	D1	D2	D3	H	H1	L
K0251.12005144X10	Stainless steel	1	M5	21	12	19	21	10	10

K0251

Mushroom knobs antistatic

internal thread

**Material:**Thermoplastic, graphite black.
Bush steel 5.8.**Version:**

Bush blue passivated

Sample order:

K0251.110524

Application:

Sensitive electrical or electronic equipment, components and devices (ESD sensitive elements) may be damaged or destroyed by electrostatic discharges (ESD) in the immediate vicinity.

Electrostatic discharges can come from people or through handling ESD sensitive components (e.g. during production, assembly, transport, storage etc).

Electrically conductive products which conform to DIN EN 61340-5-1 are essential within electronic environments to prevent an electrostatic discharge.

These products can be used for ESD applications or in ESD protection areas (EPA) in accordance with DIN EN 61340-5-1.

The yellow ESD logo is printed on the side of the product to clearly identify it.

Safety:

These ESD products can also be used for devices, components and protection systems in areas with high risk of explosion.

Use of these ESD products prevents the occurrence of electrostatic spark discharges, eliminating the potential ignition of gases and dusts which could lead to explosions in enclosed spaces.

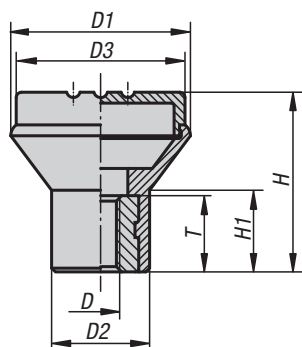
Manufacturers and operators must use and conform to ATEX directives for the protection of persons working in areas with high risk of explosion.

These ESD products are certified by TÜV-Süd in relation to their electrical discharge capability.

Target groups:

Device manufacturers required to conform to ATEX product directive 2014/34/EU.

Operators required to conform to ATEX worker protection directive 1999/92/EC.



KIPP Mushroom knobs antistatic internal thread

Order No.	Main colour	Size	D	D1	D2	D3	H	H1	T
K0251.110524	graphite black RAL 9011	1	M5	21	12	19	21	10	10

Mushroom knobs antistatic

external thread



Material:

Thermoplastic, graphite black.
Threaded pin steel 5.8.

Version:

Screw blue passivated.

Sample order:

K0251.110524X10

Application:

Sensitive electrical or electronic equipment, components and devices (ESD sensitive elements) may be damaged or destroyed by electrostatic discharges (ESD) in the immediate vicinity.

Electrostatic discharges can come from people or through handling ESD sensitive components (e.g. during production, assembly, transport, storage etc).

Electrically conductive products which conform to DIN EN 61340-5-1 are essential within electronic environments to prevent an electrostatic discharge.

These products can be used for ESD applications or in ESD protection areas (EPA) in accordance with DIN EN 61340-5-1.

The yellow ESD logo is printed on the side of the product to clearly identify it.

Safety:

These ESD products can also be used for devices, components and protection systems in areas with high risk of explosion.

Use of these ESD products prevents the occurrence of electrostatic spark discharges, eliminating the potential ignition of gases and dusts which could lead to explosions in enclosed spaces.

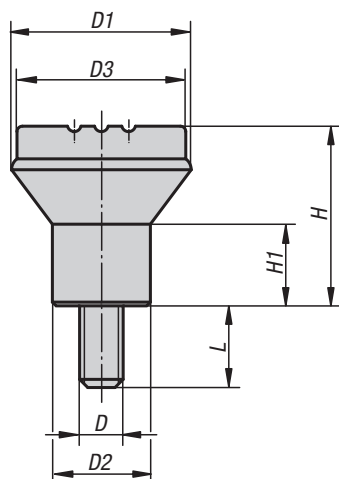
Manufacturers and operators must use and conform to ATEX directives for the protection of persons working in areas with high risk of explosion.

These ESD products are certified by TÜV-Süd in relation to their electrical discharge capability.

Target groups:

Device manufacturers required to conform to ATEX product directive 2014/34/EU.

Operators required to conform to ATEX worker protection directive 1999/92/EC.



KIPP Mushroom knobs antistatic external thread

Order No.	Main colour	Size	D	D1	D2	D3	H	H1	L
K0251.110524X10	graphite black RAL 9011	1	M5	21	12	19	21	10	10

K0273

Wing grips

internal thread, stainless steel

**Material:**

Stainless steel 1.4308.

Version:

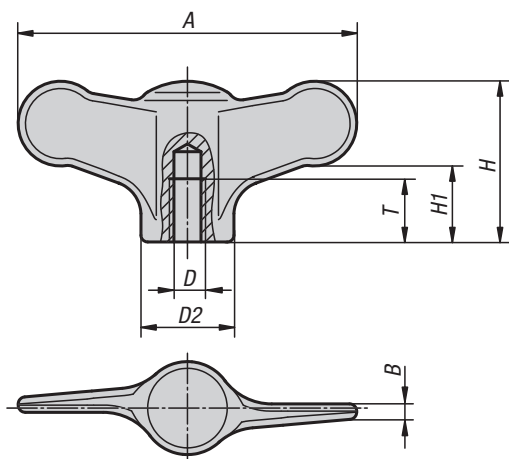
Blasted or ground and polished.

Sample order:

K0273.105

On request:

With external threads.



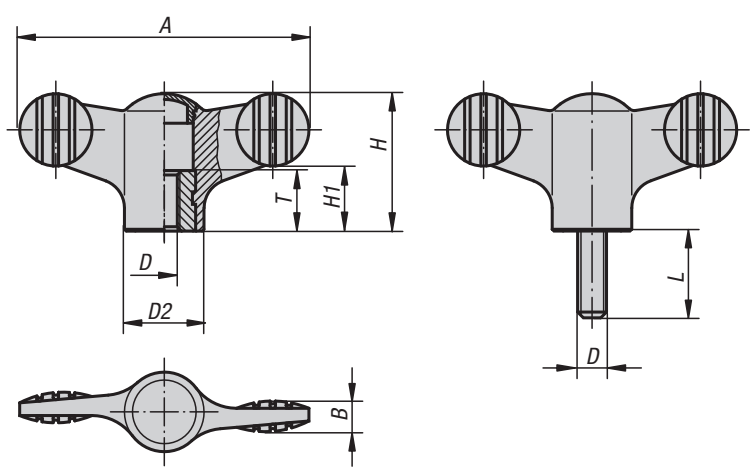
KIPP Wing grips with internal thread, stainless steel

Order No.	Version	D	D2	A	B	H	H1	T
K0273.904	polished	M4	10,5	38	1,7	18	8,5	9
K0273.905	polished	M5	10,5	38	1,7	18	8,5	9
K0273.906	polished	M6	10,5	38	1,7	18	8,5	9
K0273.105	polished	M5	14	50	2,3	24	11,5	12
K0273.106	polished	M6	14	50	2,3	24	11,5	12
K0273.208	polished	M8	21	75	3,4	35	16,5	15
K0273.210	polished	M10	21	75	3,4	35	16,5	15
K0273.9041	blasted	M4	10,5	38	1,7	18	8,5	9
K0273.9051	blasted	M5	10,5	38	1,7	18	8,5	9
K0273.9061	blasted	M6	10,5	38	1,7	18	8,5	9
K0273.1051	blasted	M5	14	50	2,3	24	11,5	12
K0273.1061	blasted	M6	14	50	2,3	24	11,5	12
K0273.2081	blasted	M8	21	75	3,4	35	16,5	15
K0273.2101	blasted	M10	21	75	3,4	35	16,5	15

K0274



Wing grips



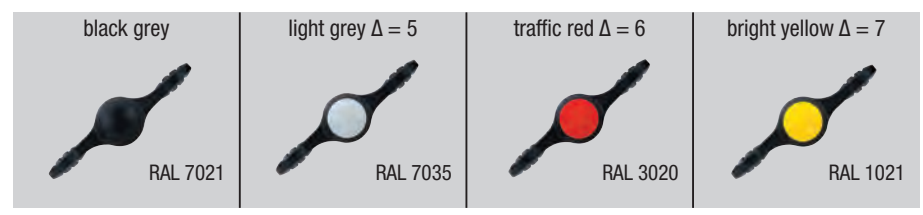
For many people the modern Novo-Grip wing grips represent the perfect constructive and technical solution for absolutely "natural" gripping. It enables more comfortable handling than ever before.

Material:
Grip black grey thermoplastic.
Bush and screw steel 5.8 or stainless steel 1.4305.

Version:
Bush or screw blue passivated or bright stainless steel.

Sample order:
K0274.1057X20 (cap colour bright yellow; include length L)

Note:
Δ Add the desired cap colour here. No colour code is required for black grey caps.



KIPP Wing grips with internal thread

Order No. Steel	Order No. Stainless steel	D	D2	A	B	H	H1	T
K0274.904Δ	K0274.0904Δ	M4	12	38	4,5	18	8,5	10
K0274.905Δ	K0274.0905Δ	M5	12	38	4,5	18	8,5	10
K0274.906Δ	K0274.0906Δ	M6	12	38	4,5	18	8,5	10
K0274.105Δ	K0274.0105Δ	M5	14	50	5	24	11,5	10
K0274.106Δ	K0274.0106Δ	M6	14	50	5	24	11,5	10
K0274.208Δ	K0274.0208Δ	M8	21	75	7	35,6	16,5	14
K0274.210Δ	K0274.0210Δ	M10	21	75	7	35,6	16,5	14

KIPP Wing grips with external thread

Order No. Steel	Order No. Stainless steel	D	A	B	D2	H	H1	L
K0274.904ΔX	K0274.0904ΔX	M4	38	4,5	12	18	8,5	10/15
K0274.905ΔX	K0274.0905ΔX	M5	38	4,5	12	18	8,5	15/20/30
K0274.906ΔX	K0274.0906ΔX	M6	38	4,5	12	18	8,5	20/30/40
K0274.105ΔX	K0274.0105ΔX	M5	50	5	14	24	11,5	15/20
K0274.106ΔX	K0274.0106ΔX	M6	50	5	14	24	11,5	20/30/40
K0274.108ΔX	K0274.0108ΔX	M8	50	5	14	24	11,5	20/30/40
K0274.208ΔX	K0274.0208ΔX	M8	75	7	21	35,6	16,5	20/30/40
K0274.210ΔX	K0274.0210ΔX	M10	75	7	21	35,6	16,5	20/30/40/50

K0274

Wing grips antibacterial

metal parts stainless steel



Material:
Thermoplastic, slate grey.
Bush and screw stainless steel 1.4305.

Version:
Bush and screw bright.

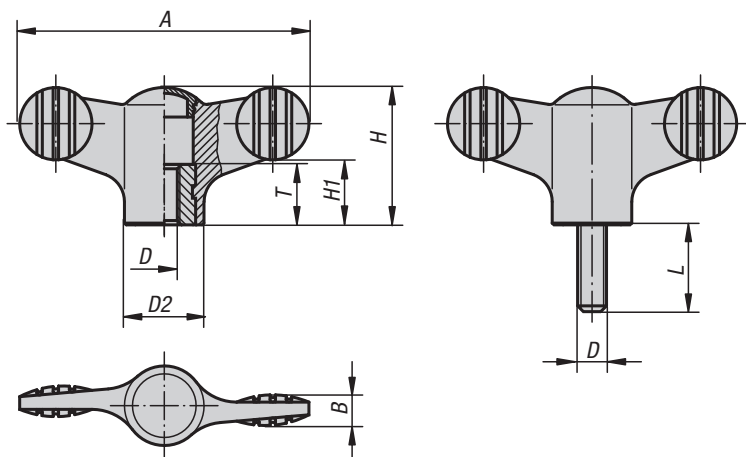
Sample order:
K0274.120106144X20

Application:
The antibacterial KIPP MEDI grip products are highly effective against a variety of hazardous microorganisms, such as bacteria, fungi, viruses and even multi-resistant bacteria (e.g. MRSA).
The plastic used incorporates micro-silver particles with an antimicrobial effect to ensure effective results throughout the entire product life cycle.

Function:
Silver ions are effective in preventing harmful microorganisms from forming on the product surface, promoting a constant reduction of the existing germs on the MEDI grip products (as tested and confirmed by an accredited testing laboratory).
During cleaning cycles the risk of infection while touching these products is significantly lower.

Advantages:
Resistant to humidity and cleaning products (during disinfection) with no toxic side effects.

Applications:
For installation on machines, equipment, plants and furnishings in areas with increased hygienic requirements (including hospitals, doctors' surgeries, rehabilitation centres and food production facilities), as well as for use in public areas or regularly frequented institutions (i.e. nursing homes or daycare centres).



KIPP Wing grips antibacterial internal thread, metal parts stainless steel

Order No.	Component material	D	A	B	D2	H	H1	T
K0274.120106144	Stainless steel	M6	50	5	14	24	11,5	10

KIPP Wing grips antibacterial external thread, metal parts stainless steel

Order No.	Component material	D	A	B	D2	H	H1	L
K0274.120106144X20	Stainless steel	M6	50	5	14	24	11,5	20

K0274

Wing grips antistatic



Material:

Thermoplastic, graphite black.
Bush or screw steel 5.8.

Version:

Screw blue passivated.

Sample order:

K0274.1110624X20

Application:

Sensitive electrical or electronic equipment, components and devices (ESD sensitive elements) may be damaged or destroyed by electrostatic discharges (ESD) in the immediate vicinity.

Electrostatic discharges can come from people or through handling ESD sensitive components (e.g. during production, assembly, transport, storage etc).

Electrically conductive products which conform to DIN EN 61340-5-1 are essential within electronic environments to prevent an electrostatic discharge.

These products can be used for ESD applications or in ESD protection areas (EPA) in accordance with DIN EN 61340-5-1.

The yellow ESD logo is printed on the side of the product to clearly identify it.

Safety:

These ESD products can also be used for devices, components and protection systems in areas with high risk of explosion.

Use of these ESD products prevents the occurrence of electrostatic spark discharges, eliminating the potential ignition of gases and dusts which could lead to explosions in enclosed spaces.

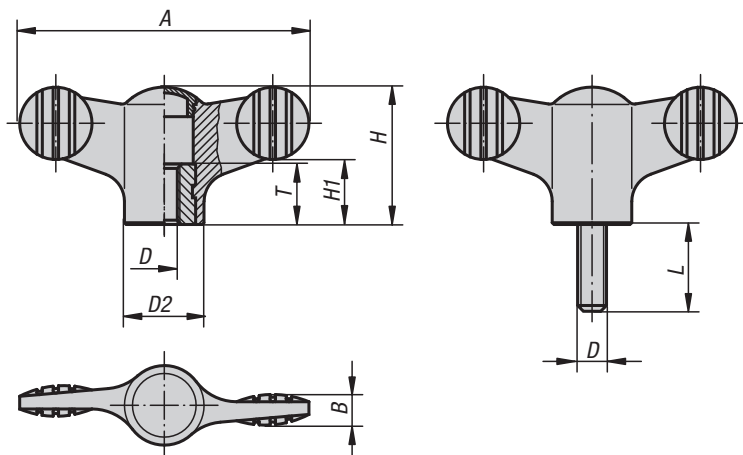
Manufacturers and operators must use and conform to ATEX directives for the protection of persons working in areas with high risk of explosion.

These ESD products are certified by TÜV-Süd in relation to their electrical discharge capability.

Target groups:

Device manufacturers required to conform to ATEX product directive 2014/34/EU.

Operators required to conform to ATEX worker protection directive 1999/92/EC.



KIPP Wing grips antistatic with internal thread

Order No.	Component material	A	B	D	D2	H	H1	T
K0274.1110624	Steel	50	5	M6	14	24	11,5	10

KIPP Wing grips antistatic with external thread

Order No.	Component material	A	B	D	D2	H	H1	L
K0274.1110624X20	Steel	50	5	M6	14	24	11,5	20

K0274

Wing grips

tapped through

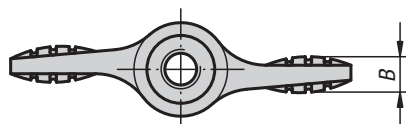
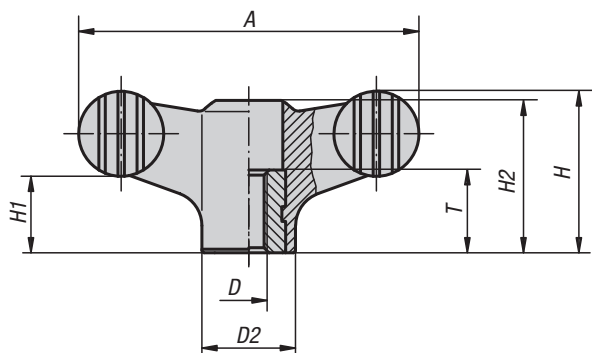


For many the modern Novo-Grip wing grips represent the perfect constructive and technical solution for absolutely "natural" gripping. It enables more comfortable handling than ever before.

Material:
Grip black.
Bush steel 5.8 or stainless steel 1.4305.

Version:
Grip black grey.
Bush blue passivated steel or bright stainless steel.

Sample order:
K0274.1904

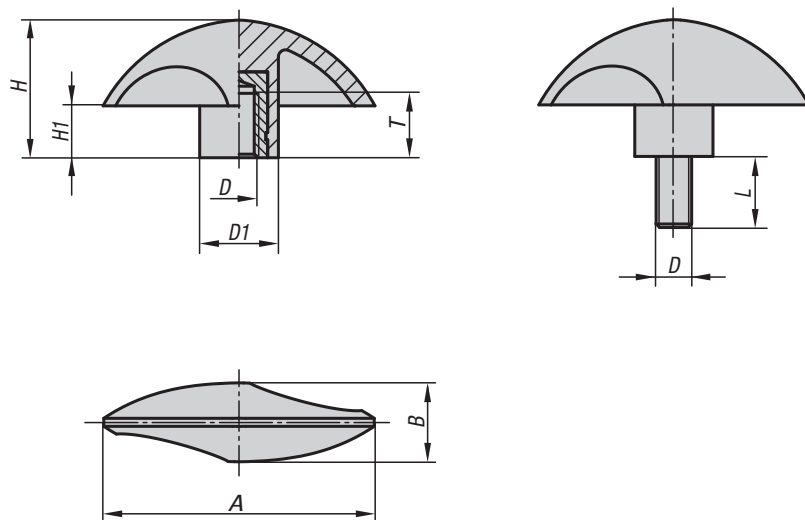


KIPP Wing grips with tapped through bush

Order No.	Component material	D	D2	A	B	H	H1	H2	T
K0274.1904	Steel	M4	12	38	4,5	18	8,5	16,1	10
K0274.1905	Steel	M5	12	38	4,5	18	8,5	16,1	10
K0274.1906	Steel	M6	12	38	4,5	18	8,5	16,1	10
K0274.1105	Steel	M5	14	50	5	24	11,5	22	10
K0274.1106	Steel	M6	14	50	5	24	11,5	22	10
K0274.1208	Steel	M8	21	75	7	35,6	17	33,3	14
K0274.1210	Steel	M10	21	75	7	35,6	17	33,3	14
K0274.10904	Stainless steel	M4	12	38	4,5	18	8,5	16,1	10
K0274.10905	Stainless steel	M5	12	38	4,5	18	8,5	16,1	10
K0274.10906	Stainless steel	M6	12	38	4,5	18	8,5	16,1	10
K0274.10105	Stainless steel	M5	14	50	5	24	11,5	22	10
K0274.10106	Stainless steel	M6	14	50	5	24	11,5	22	10
K0274.10208	Stainless steel	M8	21	75	7	35,6	17	33,3	14
K0274.10210	Stainless steel	M10	21	75	7	35,6	17	33,3	14

K0783

Wing grips

**Material:**

Grip polyamide, glass bead reinforced.

Bush brass or steel.

Screw steel.

Version:

Steel galvanized.

Sample order:

K0783.15006

Note:

Temperature resistance from -50 °C to 130 °C.

Resistant to common chemicals and oils.

KIPP Wing grips with internal thread

Order No.	Component material	D	D1	A	B	H	H1	T
K0783.15006	Brass	M6	15	51	15	25,5	9,5	9
K0783.16008	Steel	M8	18	61,5	18	31	11,5	14
K0783.17510	Steel	M10	22	76	22	38,5	14,5	14

KIPP Wing grips with external thread

Order No.	Component material	D	D1	A	B	H	H1	L
K0783.25006X15	Steel	M6	15	51	15	25,5	9,5	15
K0783.26008X20	Steel	M8	18	61,5	18	31	11,5	20
K0783.27510X20	Steel	M10	22	76	22	38,5	14,5	20

K0608

Wing grips one-sided

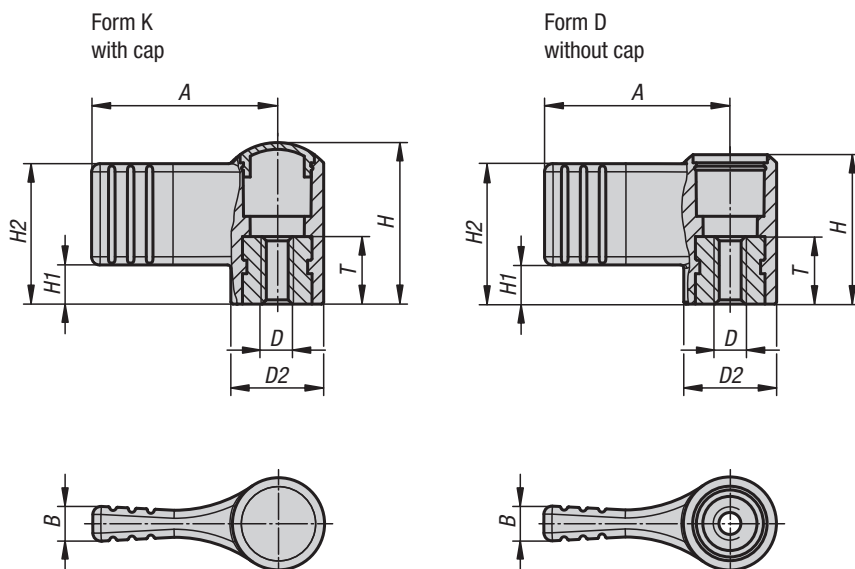


Material:
Thermoplastic.
Bush steel 5.8 or stainless steel 1.4305.

Version:
Black grey. Bush blue passivated or bright stainless steel.

Sample order:
K0608.09046 (Bush M4 stainless steel, cap traffic red.)

Note:
Δ Add the desired cap colour here. No colour code is required for black grey caps.



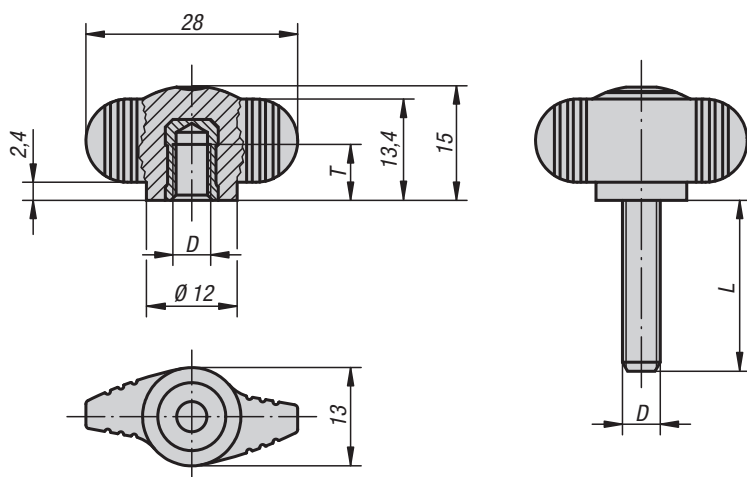
KIPP Wing grips, one-sided with cap

Order No. Steel	Order No. Stainless steel	Form	Size	D	D2	A	B	H	H1	H2	T
K0608.904Δ	K0608.0904Δ	K	9	M4	12	22	4,4	18	4,5	15,5	10
K0608.905Δ	K0608.0905Δ	K	9	M5	12	22	4,4	18	4,5	15,5	10
K0608.906Δ	K0608.0906Δ	K	9	M6	12	22	4,4	18	4,5	15,5	10
K0608.105Δ	K0608.0105Δ	K	1	M5	14	27,5	5,1	24	5,8	20,8	10
K0608.106Δ	K0608.0106Δ	K	1	M6	14	27,5	5,1	24	5,8	20,8	10
K0608.208Δ	K0608.0208Δ	K	2	M8	21	37,5	6,3	36	8,5	30,5	14
K0608.210Δ	K0608.0210Δ	K	2	M10	21	37,5	6,3	36	8,5	30,5	14

KIPP Wing grips, one-sided without cap

Order No. Steel	Order No. Stainless steel	Form	Size	D	D2	A	B	H	H1	H2	T
K0608.1904	K0608.10904	D	9	M4	12	22	4,4	16,1	4,5	15,5	10
K0608.1905	K0608.10905	D	9	M5	12	22	4,4	16,1	4,5	15,5	10
K0608.1906	K0608.10906	D	9	M6	12	22	4,4	16,1	4,5	15,5	10
K0608.1105	K0608.10105	D	1	M5	14	27,5	5,1	22,1	5,8	20,8	10
K0608.1106	K0608.10106	D	1	M6	14	27,5	5,1	22,1	5,8	20,8	10
K0608.1208	K0608.10208	D	2	M8	21	37,5	6,3	33,3	8,5	30,5	14
K0608.1210	K0608.10210	D	2	M10	21	37,5	6,3	33,3	8,5	30,5	14

Wing grips "Miniwing"



Technical freedom played an important role during the development of these small sized wing grips. The result is a miniwing that is far more than a means to an end. It is a rational and comfortable to use operating and working element.

Material:

Grip black grey thermoplastic.
Bush brass or stainless steel 1.4305.
Screw steel 5.8 or stainless steel 1.4305.

Version:

Steel blue passivated.
Stainless steel, bright.

Sample order:

K0274.005X10 (include length L)

KIPP Wing grips "Miniwing" with internal thread

Order No.	Component material	D	T
K0274.004	Brass	M4	6
K0274.005	Brass	M5	7,5
K0274.006	Brass	M6	9
K0274.0004	Stainless steel	M4	6
K0274.0005	Stainless steel	M5	7,5
K0274.0006	Stainless steel	M6	9

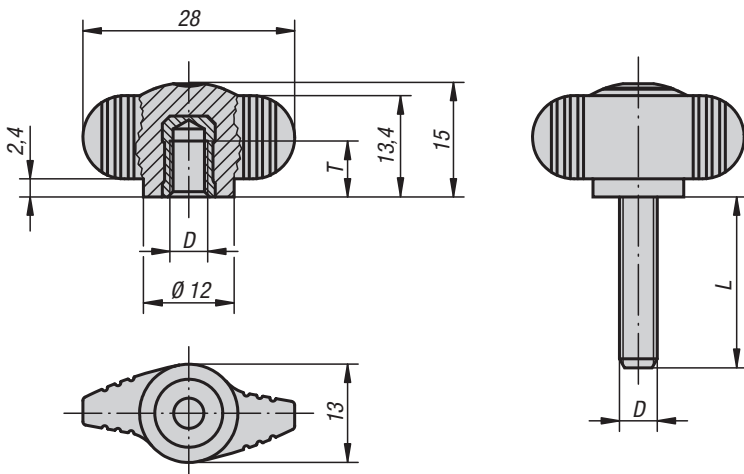
KIPP Wing grips "Miniwing" with external thread

Order No.	Component material	D	L
K0274.004X	Steel	M4	8
K0274.005X	Steel	M5	10/15/20
K0274.006X	Steel	M6	10/15/20/25/30
K0274.008X	Steel	M8	20/25/30/40
K0274.0004X	Stainless steel	M4	8
K0274.0005X	Stainless steel	M5	10/15/20
K0274.0006X	Stainless steel	M6	10/15/20/25/30
K0274.0008X	Stainless steel	M8	20/25/30/40

K0274

Wing grips "Miniwing" antibacterial

metal parts stainless steel



Material:
Thermoplastic, slate grey.
Bush and screw stainless steel 1.4305.

Version:
Bush and screw bright.

Sample order:
K0274.120006144

Application:
The antibacterial KIPP MEDI grip products are highly effective against a variety of hazardous microorganisms, such as bacteria, fungi, viruses and even multi-resistant bacteria (e.g. MRSA). The plastic used incorporates micro-silver particles with an antimicrobial effect to ensure effective results throughout the entire product life cycle.

Function:
Silver ions are effective in preventing harmful microorganisms from forming on the product surface, promoting a constant reduction of the existing germs on the MEDI grip products (as tested and confirmed by an accredited testing laboratory). During cleaning cycles the risk of infection while touching these products is significantly lower.

Advantages:
Resistant to humidity and cleaning products (during disinfection) with no toxic side effects.

Applications:
For installation on machines, equipment, plants and furnishings in areas with increased hygienic requirements (including hospitals, doctors' surgeries, rehabilitation centres and food production facilities), as well as for use in public areas or regularly frequented institutions (i.e. nursing homes or daycare centres).

KIPP Wing grips "Miniwing" antibacterial internal thread, metal parts stainless steel

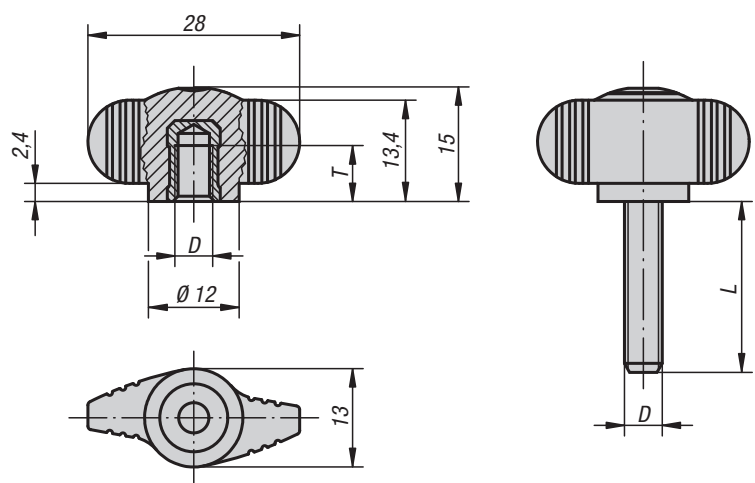
Order No.	Component material	D	T
K0274.120006144	Stainless steel	M6	9

KIPP Wing grips "Miniwing" antibacterial external thread, metal parts stainless steel

Order No.	Component material	D	L
K0274.120006144X15	Stainless steel	M6	15

K0274

Wing grips "Miniwing" antistatic



Material:
Thermoplastic, graphite black.
Bush brass or threaded pin steel 5.8.

Version:
Screw blue passivated.

Sample order:
K0274.1100624X15

Application:
Sensitive electrical or electronic equipment, components and devices (ESD sensitive elements) may be damaged or destroyed by electrostatic discharges (ESD) in the immediate vicinity. Electrostatic discharges can come from people or through handling ESD sensitive components (e.g. during production, assembly, transport, storage etc). Electrically conductive products which conform to DIN EN 61340-5-1 are essential within electronic environments to prevent an electrostatic discharge. These products can be used for ESD applications or in ESD protection areas (EPA) in accordance with DIN EN 61340-5-1. The yellow ESD logo is printed on the side of the product to clearly identify it.

Safety:
These ESD products can also be used for devices, components and protection systems in areas with high risk of explosion. Use of these ESD products prevents the occurrence of electrostatic spark discharges, eliminating the potential ignition of gases and dusts which could lead to explosions in enclosed spaces. Manufacturers and operators must use and conform to ATEX directives for the protection of persons working in areas with high risk of explosion. These ESD products are certified by TÜV-Süd in relation to their electrical discharge capability.

Target groups:
Device manufacturers required to conform to ATEX product directive 2014/34/EU.
Operators required to conform to ATEX worker protection directive 1999/92/EC.

KIPP Wing grips "Miniwing" antistatic with internal thread

Order No.	Component material	D	T
K0274.1100624	Steel	M6	9

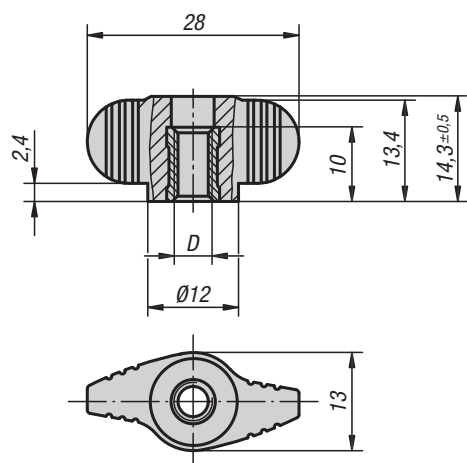
KIPP Wing grips "Miniwing" antistatic with external thread

Order No.	Component material	D	L
K0274.1100624X15	Steel	M6	15

K0658

Wing grips "Miniwing"

tapped through



Technical freedom played an important role during the development of these small sized wing grips. The result is a miniwing that is far more than a means to an end. It is a rational and comfortable to use operating and working element.

Material:

Grip thermoplastic.

Bush steel 5.8 or stainless steel 1.4305.

Version:

Grip black grey.

Steel blue passivated.

Stainless steel bright.

Sample order:

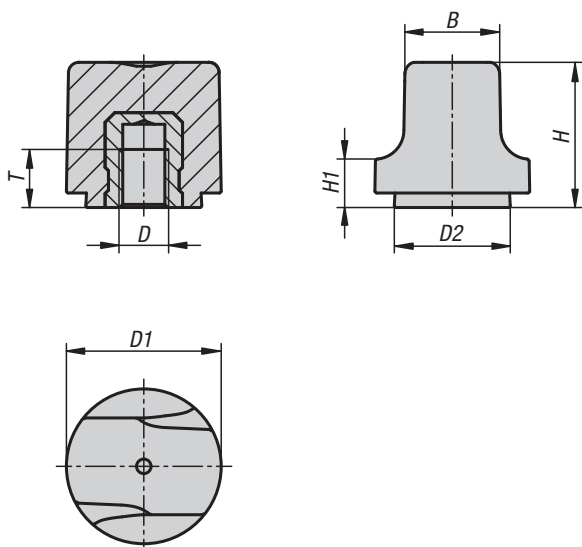
K0658.1004

KIPP Wing grips "Miniwing" with tapped through bush

Order No.	Component material	D
K0658.1004	Steel	M4
K0658.1005	Steel	M5
K0658.1006	Steel	M6
K0658.10004	Stainless steel	M4
K0658.10005	Stainless steel	M5
K0658.10006	Stainless steel	M6

K1126

Grip nuts

**Material:**

Thermoplastic black.
Bush steel, stainless steel or brass.

Version:

Bush blue passivated steel, stainless steel and brass bright.

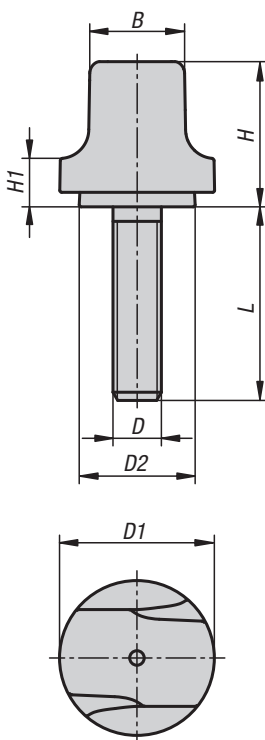
Sample order:

K1126.103

KIPP Grip nuts

Order No.	Component material	B	D	D1	D2	H	H1	T
K1126.103	Brass	10	M3	16	12	15	5	4,5
K1126.104	Brass	10	M4	16	12	15	5	6
K1126.204	Brass	12,3	M4	20	15	18,5	6	6
K1126.205	Brass	12,3	M5	20	15	18,5	6	6
K1126.305	Steel	15,3	M5	25	18,7	22,9	7,3	8,5
K1126.306	Steel	15,3	M6	25	18,7	22,9	7,3	9
K1126.1003	Stainless steel	10	M3	16	12	15	5	4,5
K1126.1004	Stainless steel	10	M4	16	12	15	5	6
K1126.2004	Stainless steel	12,3	M4	20	15	18,5	6	6
K1126.2005	Stainless steel	12,3	M5	20	15	18,5	6	6
K1126.3005	Stainless steel	15,3	M5	25	18,7	22,9	7,3	8,5
K1126.3006	Stainless steel	15,3	M6	25	18,7	22,9	7,3	9

Grip screws

**Material:**

Thermoplastic black. Screw steel or stainless steel.

Version:

Screw blue passivated steel or bright stainless steel.

Sample order:

K1126.103X8 (include length L.)

KIPP Grip screws

Order No. Steel	Order No. Stainless steel	B	D	D1	D2	H	H1	L
K1126.103X	K1126.1003X	10	M3	16	12	15	5	8/10/12/15
K1126.104X	K1126.1004X	10	M4	16	12	15	5	10/15/20
K1126.105X	K1126.1005X	10	M5	16	12	15	5	10/15/20
K1126.204X	K1126.2004X	12,3	M4	20	15	18,5	6	10/15/20
K1126.205X	K1126.2005X	12,3	M5	20	15	18,5	6	10/15/20/25
K1126.206X	K1126.2006X	12,3	M6	20	15	18,5	6	10/15/20/25
K1126.305X	K1126.3005X	15,3	M5	25	18,7	22,9	7,3	10/15/20/25
K1126.306X	K1126.3006X	15,3	M6	25	18,7	22,9	7,3	10/15/20/25
K1126.308X	K1126.3008X	15,3	M8	25	18,7	22,9	7,3	15/20/25/30

T-grips

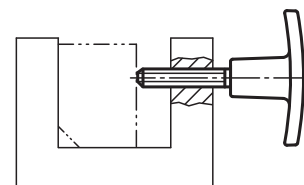
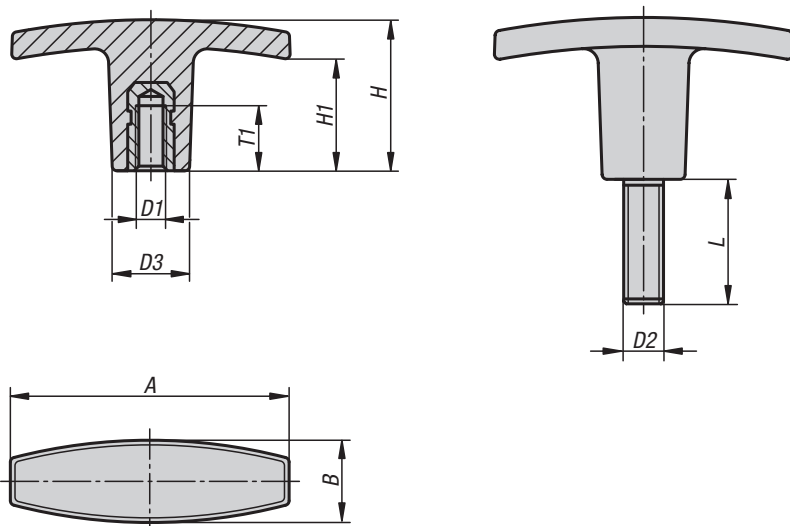


Material:
Fibreglass reinforced thermoplastic.
Tapped bush brass.
Screw steel.

Version:
Grip, black.
Screw galvanized.

Sample order:
K0180.25005X15 (include length L)

On request:
Grip colour red, yellow, green, blue, white or grey (min. quantity 500).



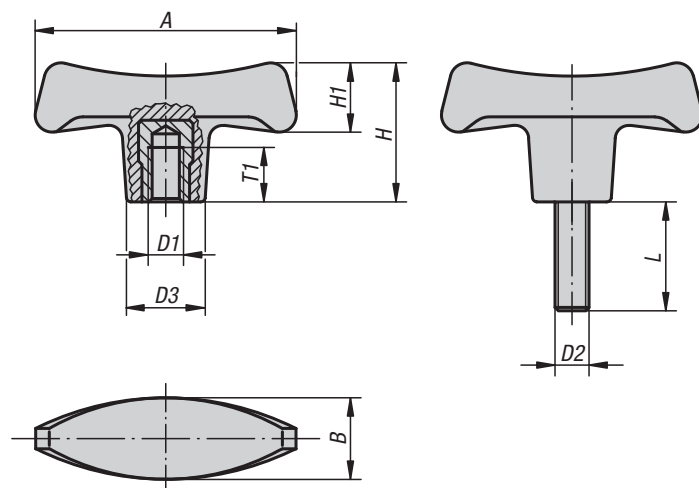
KIPP T-grips, with internal thread

Order No.	A	B	D1	D3	H	H1	T1
K0180.14005	40	13	M5	13	30,5	20	10
K0180.15005	50	15	M5	14	24	16	10
K0180.16006	60	17	M6	16	31,5	23	12
K0180.17108	71	19,5	M8	20	36	19	20
K0180.17110	71	19,5	M10	20	36	19	20
K0180.18010	80	26	M10	26	39,5	26	25
K0180.18012	80	26	M12	26	39,5	26	25

KIPP T-grips, with external thread

Order No.	A	B	D2	D3	H	H1	L
K0180.24005X	40	13	M5	13	30,5	20	15
K0180.25005X	50	15	M5	14	24	16	15/20
K0180.26006X	60	17	M6	16	31,5	23	20/25
K0180.27108X	71	19,5	M8	20	36	19	20/30
K0180.27110X	71	19,5	M10	20	36	19	20/30
K0180.28010X	80	26	M10	26	39,5	26	30
K0180.28012X	80	26	M12	26	39,5	26	40

T-grips

**Material:**

Duroplast PF 31, black.
Bush and stud galvanized steel.

Version:

High-gloss polished.

Sample order:

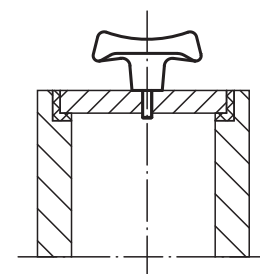
K0181.27006X18 (include length L)

Note:

The versions K0181.17008 and K0181.18008 have a copper plated steel bush.

On request:

Other screw sizes, screw lengths and colours.

**KIPP T-grips, with internal thread**

Order No.	A	B	D1	D3	H	H1	T1
K0181.17006	70	22	M6	19,6	38,8	20,2	12
K0181.17008	70	22	M8	19,6	38,8	20,2	14
K0181.17010	70	22	M10	19,6	38,8	20,2	14
K0181.18008	80	25	M8	22,3	44	23	14
K0181.18010	80	25	M10	22,3	44	23	22
K0181.19010	90	28	M10	25	49,6	26	22
K0181.19012	90	28	M12	25	49,6	26	21

KIPP T-grips, with external thread

Order No.	A	B	D2	D3	H	H1	L
K0181.27006X	70	22	M6	19,6	38,8	20,2	18
K0181.27008X	70	22	M8	19,6	38,8	20,2	24
K0181.28010X	80	25	M10	22,3	44	23	20/30
K0181.29010X	90	28	M10	25	49,6	26	30
K0181.29012X	90	28	M12	25	49,6	26	24

K1203**T-grips stainless steel****Material:**

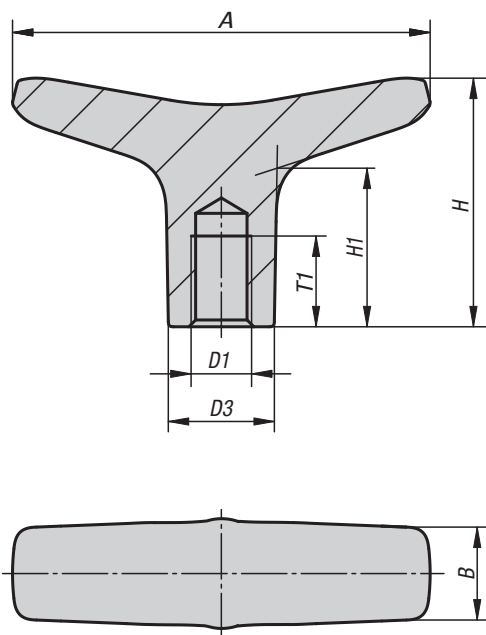
Stainless steel 1.4308.

Version:

Electropolished or blasted.

Sample order:

K1203.55061

**KIPP T-grips, stainless steel**

Order No.	Surface	A	B	D1	D3	H	H1	T1
K1203.55061	blasted	55,2	12,3	M6	14	32,9	21	12
K1203.55081	blasted	55,2	12,3	M8	14	32,9	21	12
K1203.65061	blasted	65,3	14	M6	16	37	22,7	16
K1203.65081	blasted	65,3	14	M8	16	37	22,7	16
K1203.65101	blasted	65,3	14	M10	16	37	22,7	16
K1203.75101	blasted	75,3	17,8	M10	20	41,2	24,9	16
K1203.75121	blasted	75,3	17,8	M12	20	41,2	24,9	16
K1203.55062	electropolished	55,2	12,3	M6	14	32,9	21	12
K1203.55082	electropolished	55,2	12,3	M8	14	32,9	21	12
K1203.65062	electropolished	65,3	14	M6	16	37	22,7	16
K1203.65082	electropolished	65,3	14	M8	16	37	22,7	16
K1203.65102	electropolished	65,3	14	M10	16	37	22,7	16
K1203.75102	electropolished	75,3	17,8	M10	20	41,2	24,9	16
K1203.75122	electropolished	75,3	17,8	M12	20	41,2	24,9	16

K0157

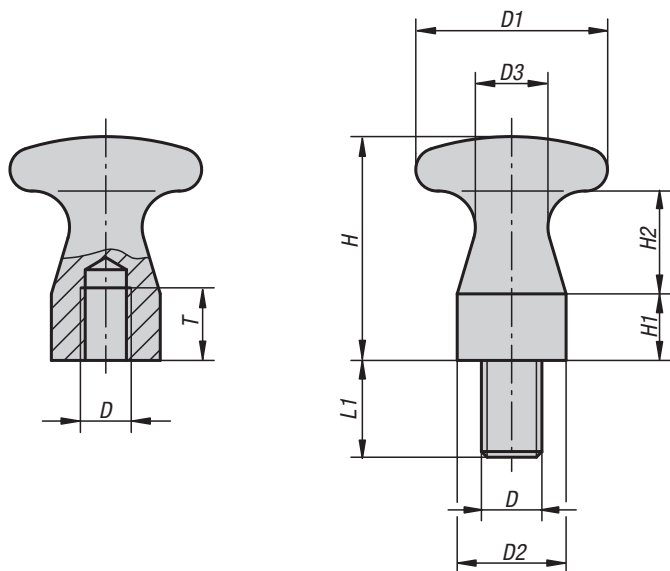
Knobs flat



Material:
Steel.

Version:
Black oxidised.

Sample order:
K0157.08



KIPP Knobs flat, internal thread

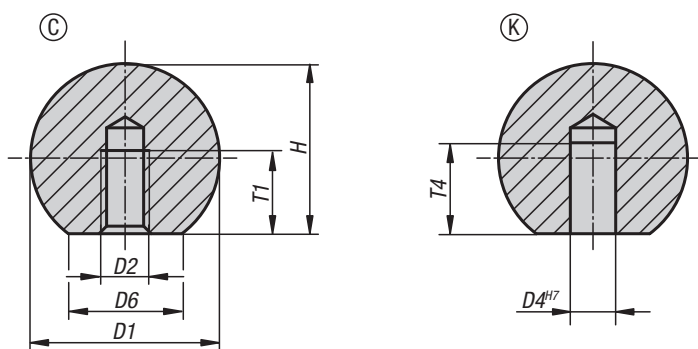
Order No.	D	D1	D2	D3	H	H1	H2	T
K0157.05	M5	16	10	6	18	5	9	7
K0157.06	M6	25	14	10	29	9	13	9
K0157.08	M8	32	18	12	37	11	17	12
K0157.10	M10	36	20	13	42	12	20	15

KIPP Knobs flat, external thread

Order No.	D	D1	D2	D3	H	H1	H2	L1
K0157.06010	M6	16	10	6	18	5	9	10
K0157.08014	M8	25	14	10	29	9	13	14
K0157.10016	M10	32	18	12	37	11	17	16
K0157.12018	M12	36	20	13	42	12	20	18

Ball knobs

stainless steel or aluminium, DIN 319

**Material:**

Stainless steel 1.4305 or aluminium.

Version:

Polished.

Sample order:

K0650.116043

Drawing reference:

Form C: thread

Form K: hole

KIPP Ball Knobs, stainless steel or aluminium to DIN 319

Order No.	Form	Main material	D1	D2	D6	H	T1 min.
K0650.116043	C	stainless steel	16	M4	8	15	7,2
K0650.120053	C	stainless steel	20	M5	12	18	9,1
K0650.125063	C	stainless steel	25	M6	15	22,5	11
K0650.132083	C	stainless steel	32	M8	18	29	14,5
K0650.140103	C	stainless steel	40	M10	22	37	18
K0650.150123	C	stainless steel	50	M12	28	46	21
K0650.116042	C	aluminium	16	M4	8	15	7,2
K0650.120052	C	aluminium	20	M5	12	18	9,1
K0650.125062	C	aluminium	25	M6	15	22,5	11
K0650.132082	C	aluminium	32	M8	18	29	14,5
K0650.140102	C	aluminium	40	M10	22	37	18
K0650.150122	C	aluminium	50	M12	28	46	21

Order No.	Form	Main material	D1	D4	D6	H	T4 min.
K0650.316043	K	stainless steel	16	6	8	15	10
K0650.320053	K	stainless steel	20	8	12	18	12
K0650.325063	K	stainless steel	25	10	15	22,5	16
K0650.332083	K	stainless steel	32	12	18	29	20
K0650.340103	K	stainless steel	40	16	22	37	25
K0650.350123	K	stainless steel	50	20	28	46	32
K0650.316042	K	aluminium	16	6	8	15	10
K0650.320052	K	aluminium	20	8	12	18	12
K0650.325062	K	aluminium	25	10	15	22,5	16
K0650.332082	K	aluminium	32	12	18	29	20
K0650.340102	K	aluminium	40	16	22	37	25
K0650.350122	K	aluminium	50	20	28	46	32

K0158

Ball knobs

thermoplastic, DIN 319 enhanced



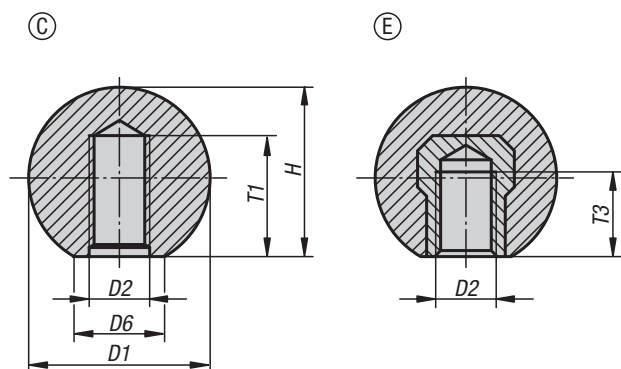
Material:
Black thermoplastic.
Bush steel.

Version:
Steel galvanized.

Sample order:
K0158.11604

On request:
Other colours.

Drawing reference:
Form C: plastic thread
Form E: tapped bush



KIPP Ball knobs thermoplastic DIN 319 enhanced

Order No.	Form	D1	D2	D6	H	T1 min.	T3 min.
K0158.11604	C	16	M4	8	15	6	-
K0158.11605	C	16	M5	8	15	7,5	-
K0158.12005	C	20	M5	12	18	7,5	-
K0158.12006	C	20	M6	12	18	9	-
K0158.12506	C	25	M6	15	22,5	9	-
K0158.12508	C	25	M8	15	22,5	12	-
K0158.13208	C	32	M8	18	29	12	-
K0158.13210	C	32	M10	18	29	15	-
K0158.22005	E	20	M5	12	18	-	7,5
K0158.22006	E	20	M6	12	18	-	7,5
K0158.22506	E	25	M6	15	22,5	-	9
K0158.22508	E	25	M8	15	22,5	-	9
K0158.23208	E	32	M8	18	29	-	12
K0158.23210	E	32	M10	18	29	-	12

Ball knobs smooth

DIN 319 enhanced



Material:
Black Duroplast PF 31.
Bush galvanized steel.

Version:
High-gloss polished.

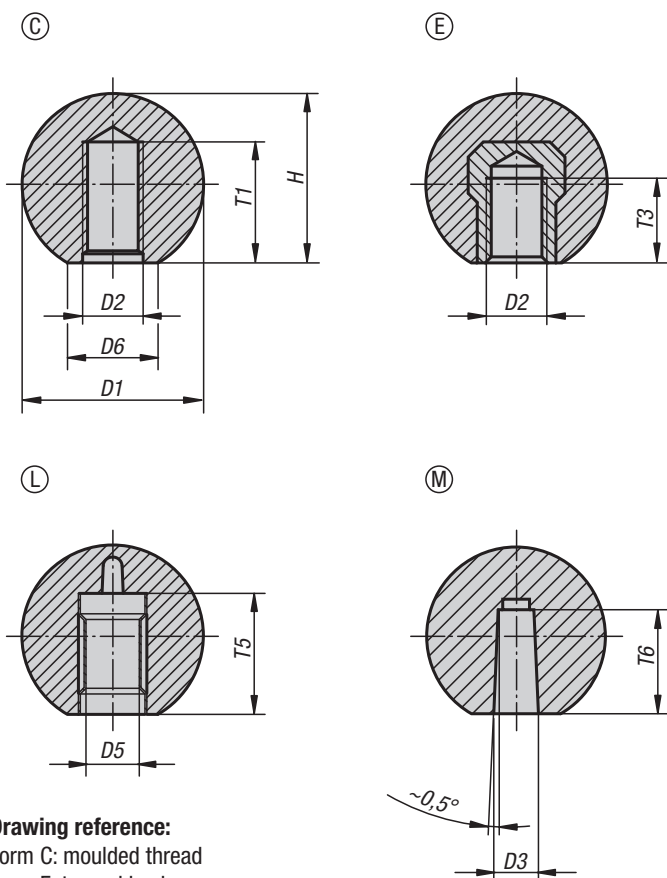
Sample order:
K0159.11604

Note:
Assembly, Form L: The ball knobs are installed by tapping lightly with a hammer. Please only use a rubber or plastic hammer with a weight up to 200 g!

The version K0159.21604 has a brass bush.
The versions K0159.23008, K0159.23508 and K0159.24008 have copper plated steel bushes.

On request:
* These versions are available from stock in dark red at extra charge.

Shank tolerance:
Ball knobs with press-fit sleeve can be mounted on standard shafts with tolerance h9. The supplied press-fit sleeve assures a firm and reliable fit.

**Drawing reference:**

Form C: moulded thread
Form E: tapped bush
Form L: press-fit sleeve
Form M: tapered hole

KIPP Ball knobs smooth DIN 319 enhanced, Form C, with molded thread

Order No.	Form	D1	D2	D6	H	T1 min.
K0159.11604	C	16	M4	8	15	6
K0159.11605	C	16	M5	8	15	7,5
K0159.11606	C	16	M6	8	15	9
K0159.12005*	C	20	M5	12	18	7,5
K0159.12006	C	20	M6	12	18	9
K0159.12506*	C	25	M6	15	23	9
K0159.12508	C	25	M8	15	23	12
K0159.13008*	C	30	M8	16	28	12
K0159.13208*	C	32	M8	18	29	12
K0159.13210	C	32	M10	18	29	15
K0159.13508	C	36	M8	17	33	18
K0159.13510*	C	36	M10	17	33	15
K0159.14008	C	40	M8	20	37,5	12
K0159.14010*	C	40	M10	20	37,5	15
K0159.14012	C	40	M12	20	37,5	18
K0159.14510	C	45	M10	20	43	15
K0159.14512	C	45	M12	20	43	18
K0159.15010	C	50	M10	22	48	15
K0159.15012*	C	50	M12	28	48	18

Ball knobs smooth

DIN 319 enhanced



KIPP Ball knobs smooth DIN 319 enhanced, Form E, with tapped bush

Order No.	Form	D1	D2	D6	H	T3 min.
K0159.21604	E	16	M4	8	15	6
K0159.22005*	E	20	M5	12	18	7,5
K0159.22006	E	20	M6	12	18	9
K0159.22506*	E	25	M6	15	23	9
K0159.22508	E	25	M8	15	23	12
K0159.23008*	E	30	M8	16	28	12
K0159.23208	E	32	M8	18	29	12
K0159.23210	E	32	M10	18	29	15
K0159.23508	E	36	M8	17	33	14
K0159.23510	E	36	M10	17	33	14
K0159.24008	E	40	M8	20	37,5	14
K0159.24010*	E	40	M10	20	37,5	15
K0159.24012	E	40	M12	20	37,5	18
K0159.24510	E	45	M10	20	43	22
K0159.24512	E	45	M12	20	43	21
K0159.25010	E	50	M10	22	48	15
K0159.25012*	E	50	M12	28	48	18

KIPP Ball knobs smooth DIN 319 enhanced, Form L, with clamping sleeve

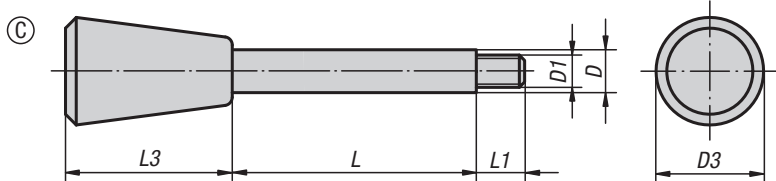
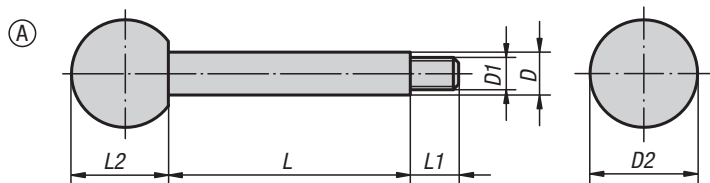
Order No.	Form	D1	D5	D6	H	T5
K0159.42005	L	20	5	12	18	13
K0159.42506	L	25	6	15	23	16
K0159.42508	L	25	8	15	23	15
K0159.43208	L	32	8	18	29	15
K0159.43210	L	32	10	18	29	20
K0159.44010	L	40	10	20	37,5	20
K0159.44012	L	40	12	20	37,5	23
K0159.45012	L	50	12	28	48	20

KIPP Ball knobs smooth DIN 319 enhanced, Form M, with tapered bore

Order No.	Form	D1	D3	D6	H	T6
K0159.31604	M	16	4	8	15	9
K0159.32005	M	20	5	12	18	12
K0159.32506	M	25	6	15	23	15
K0159.32508	M	25	8	15	23	15
K0159.33208	M	32	8	18	29	15
K0159.33210	M	32	10	18	29	15
K0159.34010	M	40	10	20	37,5	20
K0159.34012	M	40	12	20	37,5	20
K0159.35012	M	50	12	28	48	22

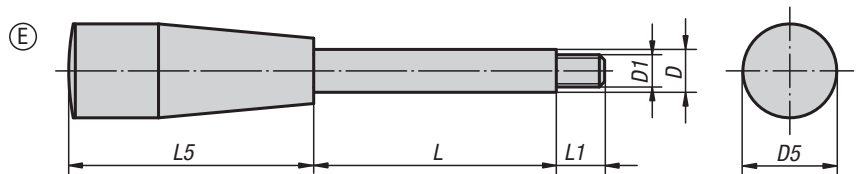
K0179

Handles



Material:
Knobs Duroplast PF 31.
Rod steel 1.0718 or stainless steel 1.4305.

Version:
Duroplast black, high-gloss polished.
Steel black oxidised or bright stainless steel.



Sample order:
K0179.208X35 (include length L)



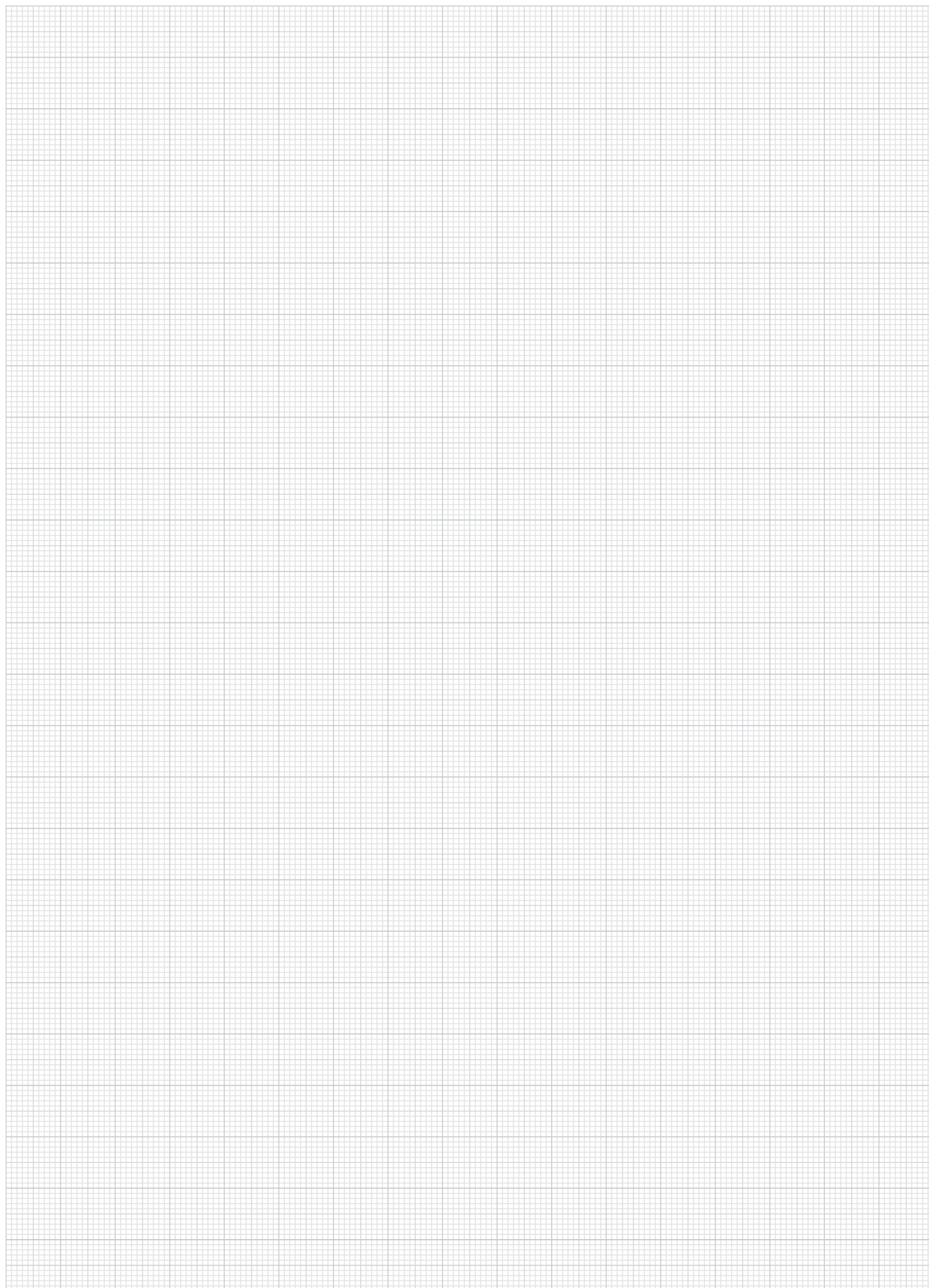
KIPP Steel rods

Order No.	Form	D	D1	D2	D3	D5	L	L1	L2	L3	L5
K0179.208X	A	8	M6	20	-	-	35/50/65	9	18	-	-
K0179.210X	A	10	M8	25	-	-	50/65/80/100	13	22,5	-	-
K0179.212X	A	12	M10	32	-	-	65/80/100/125	15	29	-	-
K0179.214X	A	14	M12	36	-	-	80/100/125/160	16	33	-	-
K0179.408X	C	8	M6	-	20	-	35/50/65	9	-	31	-
K0179.410X	C	10	M8	-	25	-	50/65/80/100	13	-	38	-
K0179.412X	C	12	M10	-	30	-	65/80/100/125	15	-	46	-
K0179.414X	C	14	M12	-	35	-	80/100/125/160	16	-	53	-
K0179.608X	E	8	M6	-	-	17	35/50/65	9	-	-	45
K0179.610X	E	10	M8	-	-	23	50/65/80/100	13	-	-	61
K0179.612X	E	12	M10	-	-	29	65/80/100/125	15	-	-	71
K0179.614X	E	14	M12	-	-	29	80/100/125/160	16	-	-	71

KIPP Stainless steel rods

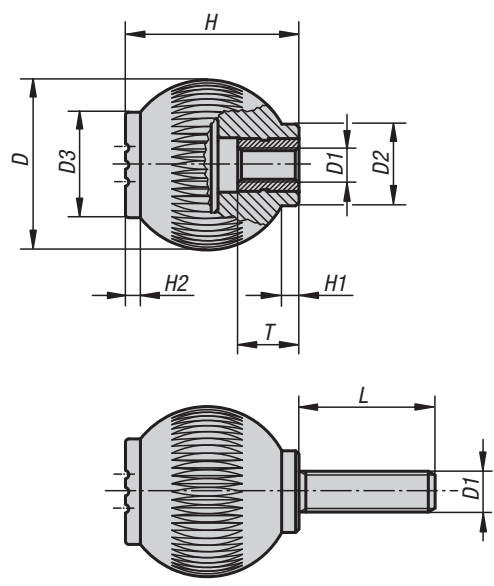
Order No.	Form	D	D1	D2	D3	D5	L	L1	L2	L3	L5
K0179.1208X	A	8	M6	20	-	-	35/50/65	9	18	-	-
K0179.1210X	A	10	M8	25	-	-	50/65/80/100	13	22,5	-	-
K0179.1212X	A	12	M10	32	-	-	65/80/100/125	15	29	-	-
K0179.1214X	A	14	M12	36	-	-	80/100/125/160	16	33	-	-
K0179.1408X	C	8	M6	-	20	-	35/50/65	9	-	31	-
K0179.1410X	C	10	M8	-	25	-	50/65/80/100	13	-	38	-
K0179.1412X	C	12	M10	-	30	-	65/80/100/125	15	-	46	-
K0179.1414X	C	14	M12	-	35	-	80/100/125/160	16	-	53	-
K0179.1608X	E	8	M6	-	-	17	35/50/65	9	-	-	45
K0179.1610X	E	10	M8	-	-	23	50/65/80/100	13	-	-	61
K0179.1612X	E	12	M10	-	-	29	65/80/100/125	15	-	-	71
K0179.1614X	E	14	M12	-	-	29	80/100/125/160	16	-	-	71

Notes



K0253

Spherical knobs



An ergonomically perfect product for three dimensional gripping:
The spherical surface also has vertical ribbing.
Thanks to CAD designing, the requirements of different fields can be met.

Material:
 Thermoplastic, black grey.
 Bush and screw steel 5.8 or stainless steel 1.4305.

Version:
 Blue passivated steel or bright stainless steel.

Sample order:
 K0253.1066X15 (cap colour traffic red; include length L.)

Note:
 Δ Add the desired cap colour here. No colour code is required for black grey caps.



KIPP Spherical knobs with internal thread

Order No. Steel	Order No. Stainless steel	Size	D	D1	D2	D3	H	H1	H2	T
K0253.106Δ	K0253.0106Δ	1	25	M6	12	17	25	3	2	10
K0253.208Δ	K0253.0208Δ	2	32	M8	15,5	19	33	3,5	2,6	14
K0253.310Δ	K0253.0310Δ	3	40	M10	19	23	41,5	4	3	14
K0253.410Δ	K0253.0410Δ	4	50	M10	24	31	51	5,5	4,5	14
K0253.412Δ	K0253.0412Δ	4	50	M12	24	31	51	5,5	4,5	18

KIPP Spherical knobs with external thread

Order No. Steel	Order No. Stainless steel	Size	D	D1	D2	D3	H	H1	H2	L
K0253.106ΔX	K0253.0106ΔX	1	25	M6	12	17	25	3	2	15/20/25/30
K0253.208ΔX	K0253.0208ΔX	2	32	M8	15,5	19	33	3,5	2,6	20/25/30/40
K0253.310ΔX	K0253.0310ΔX	3	40	M10	19	23	41,5	4	3	20/30/40
K0253.410ΔX	K0253.0410ΔX	4	50	M10	24	31	51	5,5	4,5	20/30/40
K0253.412ΔX	K0253.0412ΔX	4	50	M12	24	31	51	5,5	4,5	20/30/40

Spherical knobs biopolymer

**Material:**

Biopolymer, beech.
Bush or threaded pin steel 5.8

Version:

Bush and screw, galvanized and blue passivated.
Natural beech with beech fibres or coloured black grey.

Sample order:

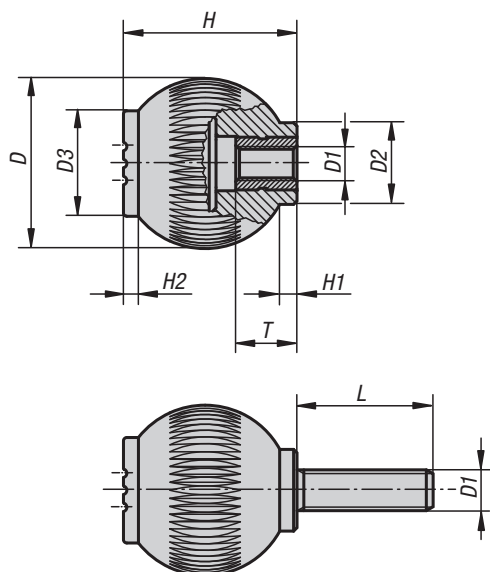
K0253.10106143X15

Advantages:

This biopolymer is manufactured entirely from renewable raw materials (oil free).
Conservation of finite fossil resources.
The wood fibres originate 100% from local forests in Germany.
PEFC certified (guarantees that wood products originate from sustainably managed forests).

Features:

Excellent mechanical stability (certified with a minimum of 2x safety factor).
Biopolymer is suitable for recycling (comparable to thermoplastics).
Suitable for outdoor use (not biodegradable).
Excellent resistance to strong acids and lyes.
Short-term resistance to alcohol, fuel, mineral oil and grease.

**KIPP Spherical knobs biopolymer with internal thread**

Order No.	Main colour	Size	D	D1	D2	D3	H	H1	H2	T
K0253.10106143	natural beech	1	25	M6	12	17	25	3	2	10
K0253.10208143	natural beech	2	32	M8	15,5	19	33	3,5	2,6	14
K0253.1010690	black grey RAL 7021	1	25	M6	12	17	25	3	2	10
K0253.1020890	black grey RAL 7021	2	32	M8	15,5	19	33	3,5	2,6	14

KIPP Spherical knobs biopolymer with external thread

Order No.	Main colour	Size	D	D1	D2	D3	H	H1	H2	L
K0253.10106143X15	natural beech	1	25	M6	12	17	25	3	2	15
K0253.10208143X20	natural beech	2	32	M8	15,5	19	33	3,5	2,6	20
K0253.1010690X15	black grey RAL 7021	1	25	M6	12	17	25	3	2	15
K0253.1020890X20	black grey RAL 7021	2	32	M8	15,5	19	33	3,5	2,6	20

K0254

Spherical knobs

revolving



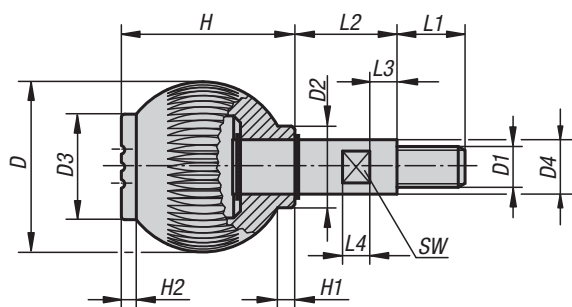
An ergonomically perfect product for three-dimensional gripping. The spherical surface also has vertical ribbing. Thanks to CAD designing, the requirements of different fields can be met.

Material:
Thermoplastic, black grey.
Axis steel 5.8 or stainless steel 1.4305.

Version:
Blue passivated steel or bright stainless steel.
Circlips galvanized, including stainless steel version.

Sample order:
K0254.1066 (cap colour traffic red.)

Note:
Δ Add the desired cap colour here.
No colour code is required for black grey caps.

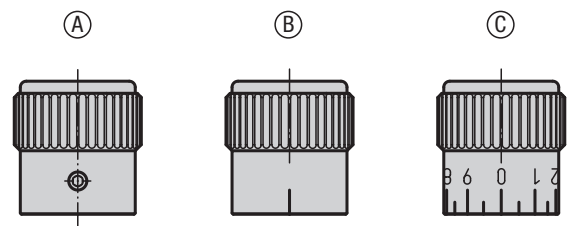
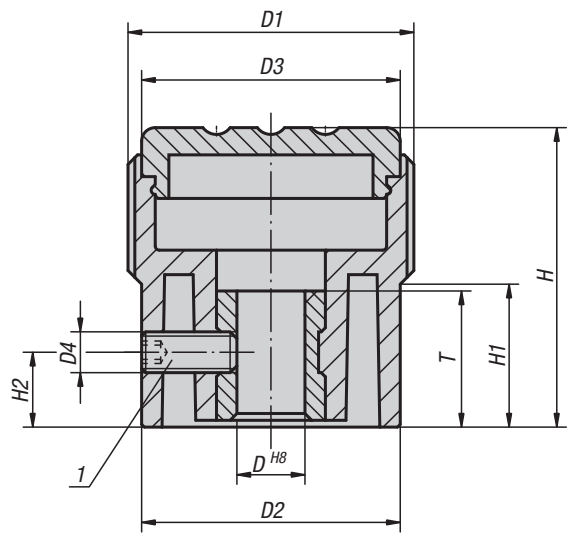


KIPP Spherical knobs revolving

Order No. steel	Order No. stainless steel	Size	D	D1	D2	D3	D4	H	H1	H2	L1	L2	L3	L4	SW
K0254.106Δ	K0254.0106Δ	1	25	M6	12	17	8	25	3	2	10	15	5	5	7
K0254.208Δ	K0254.0208Δ	2	32	M8	15,5	19	10	33	3,5	2,6	12	20	6	6	8
K0254.310Δ	K0254.0310Δ	3	40	M10	19	23	13	41,5	4	3	15	25	7	10	10
K0254.412Δ	K0254.0412Δ	4	50	M12	24	31	16	51	5,5	4,5	20	30	8	8	13

K0248

Knurled knobs



NOVO grip knurled knobs provide a precise and reproducible position setting, optimal reading of the perfectly situated graduations and are easily fastened permanently to the shaft with the integrated set screw.

Material:
Thermoplastic, black grey.
Bush steel.

Version:
Bush blue passivated

Sample order:
K0248.11055 (cap colour light grey)

Note:
Available without graduations, with one scale line or with 20 graduations and 10 digits.
Δ Add the desired cap colour here; no colour code is required for black grey caps.

On request:
Special graduations.

Drawing reference:
Form A: without graduations
Form B: with one scale line
Form C: with standard graduations

1) Set screw for locking (by Form C between numbers 5 and 6)



KIPP Knurled knobs

Order No.	Form	Size	D	D1	D2	D3	D4	H	H1	H2	T
K0248.1105Δ	A	1	5	21	19	19	M3	22	10,5	5	10
K0248.1206Δ	A	2	6	26	23	23	M3	26	12	6	10
K0248.1308Δ	A	3	8	34	31	31	M4	36	17,5	7	14
K0248.2105Δ	B	1	5	21	19	19	M3	22	10,5	5	10
K0248.2206Δ	B	2	6	26	23	23	M3	26	12	6	10
K0248.2308Δ	B	3	8	34	31	31	M4	36	17,5	7	14
K0248.3105Δ	C	1	5	21	19	19	M3	22	10,5	5	10
K0248.3206Δ	C	2	6	26	23	23	M3	26	12	6	10
K0248.3308Δ	C	3	8	34	31	31	M4	36	17,5	7	14

K0249

Knurled knobs

with arrow



This NOVO grip knurled knob allows different switching positions to be quickly and easily set. The engraved silver arrow clearly marks the presently set position.

Material:
Knurled knob thermoplastic.
Washer aluminium.

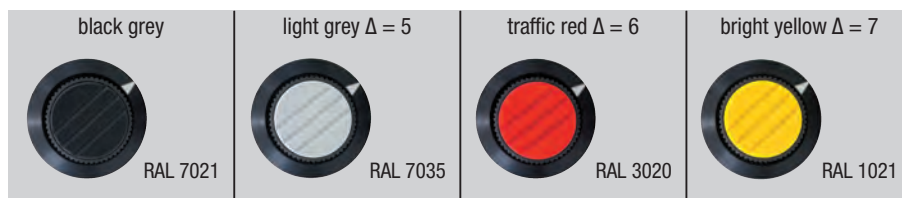
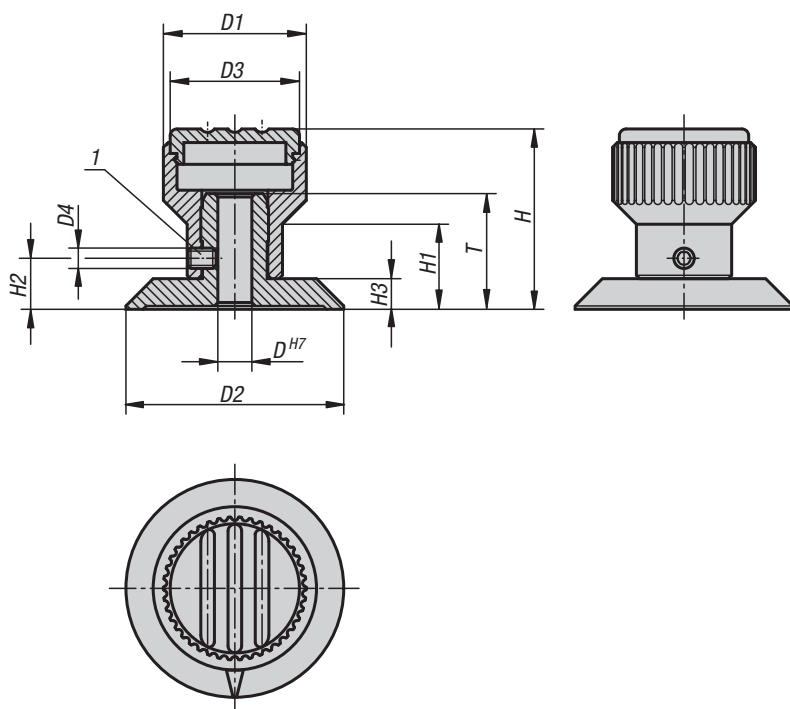
Version:
Knurled knob black grey.
Washer, black anodized.

Sample order:
K0249.1055 (cap colour light grey)

Note:
The arrow is engraved after anodizing. The set screw secures both the hub and the pressed-in washer. The H7 hole in the hub ensures a good tight fit on the shaft.

Δ Add the desired cap colour here. No colour code is required for black grey caps.

Drawing reference:
1) set screw

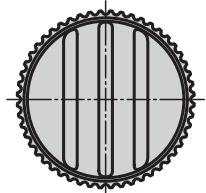
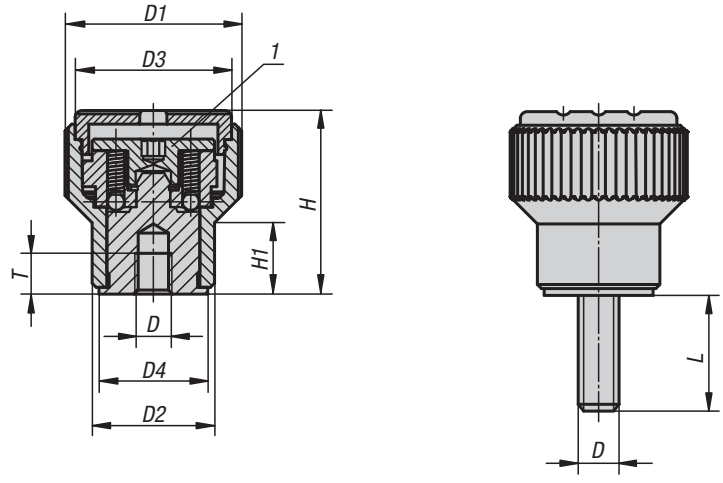


KIPP Knurled knobs with arrow

Order No.	Size	D	D1	D2	D3	D4	H	H1	H2	H3	T
K0249.105Δ	1	5	21	32	19	M3	26,5	12,5	7,5	4,5	17
K0249.206Δ	2	6	26	40	23	M4	31,5	15	9,5	5,5	20,5
K0249.308Δ	3	8	34	52	31	M4	43	20	12	7	22

K0277

Knurled torque knobs



Material:
Thermoplastic, black grey.
Bush and screw steel 5.8.

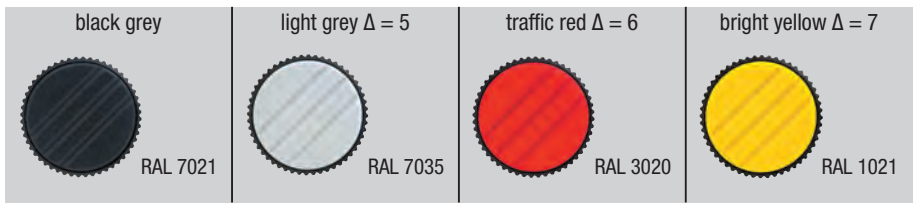
Version:
Bush black oxidised.
Screw blue passivated

Sample order:
K0277.2056X30
(cap colour traffic red; include length L)

Note:
The set screw sets the required torque. The knob de-clutches and turns freely when the desired torque is reached.

Δ Add the desired cap colour here. No colour code is required for black grey caps.

Drawing reference:
1) adjusting screw for setting the torque



KIPP Knurled torque knobs with internal thread

Order No.	Component material	Size	D	D1	D2	D3	D4	H	H1	T	Adjustable torque approx. Nm min. - max.
K0277.205Δ	Steel	2	M5	26	18	23	16	27	10,5	5	0,1 - 0,3
K0277.206Δ	Steel	2	M6	26	18	23	16	27	10,5	6	0,1 - 0,3
K0277.306Δ	Steel	3	M6	34	22	31	20	37,5	14,5	10	0,1 - 0,3
K0277.308Δ	Steel	3	M8	34	22	31	20	37,5	14,5	14	0,1 - 0,3

KIPP Knurled torque knobs with external thread

Order No.	Component material	Size	D	D1	D2	D3	D4	H	H1	L	Adjustable torque approx. Nm min. - max.
K0277.205ΔX	Steel	2	M5	26	18	23	16	27	10,5	30/50	0,1 - 0,3
K0277.206ΔX	Steel	2	M6	26	18	23	16	27	10,5	30/50	0,1 - 0,3
K0277.306ΔX	Steel	3	M6	34	22	31	20	37,5	14,5	40/60	0,1 - 0,3
K0277.308ΔX	Steel	3	M8	34	22	31	20	37,5	14,5	40/60	0,1 - 0,3

K0178

Lock grips

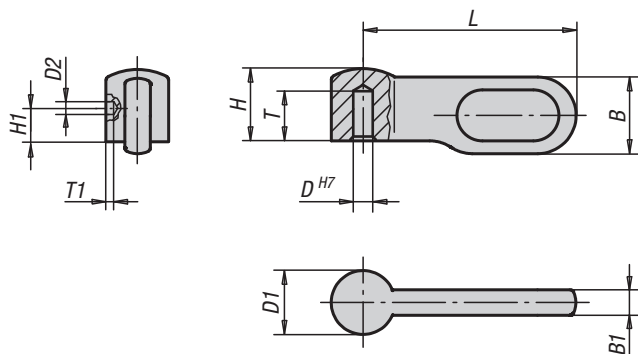


Material:
Stainless steel 1.4308 or steel.

Version:
Stainless steel bright.
Steel black oxidised.

Sample order:
K0178.1040

Note:
Lock grips can be used as required. The styled design with recessed grip gives fingers a good purchase and is well suited to modern requirements. High clamping forces can be easily attained. Use the pilot hole in the side to secure the grip by pinning or screw.



KIPP Lock grip

Order No.	Main material	Size	B	B1	D	D1	D2	H	H1	L	T	T1
K0178.1040	Stainless steel	1	9	3	4	7,5	1,5	8,5	3	25	5,5	0,5
K0178.2050	Stainless steel	2	10,8	3,6	5	9	2	10,2	4	30	6,5	1
K0178.3060	Stainless steel	3	14,4	4,8	6	12	2	13,6	5	40	8,7	1
K0178.4080	Stainless steel	4	18	6	8	15	3	17	6	50	10,2	1
K0178.1041	Steel	1	9	3	4	7,5	1,5	8,5	3	25	5,5	0,5
K0178.2051	Steel	2	10,8	3,6	5	9	2	10,2	4	30	6,5	1
K0178.3061	Steel	3	14,4	4,8	6	12	2	13,6	5	40	8,7	1
K0178.4081	Steel	4	18	6	8	15	3	17	6	50	10,2	1

