

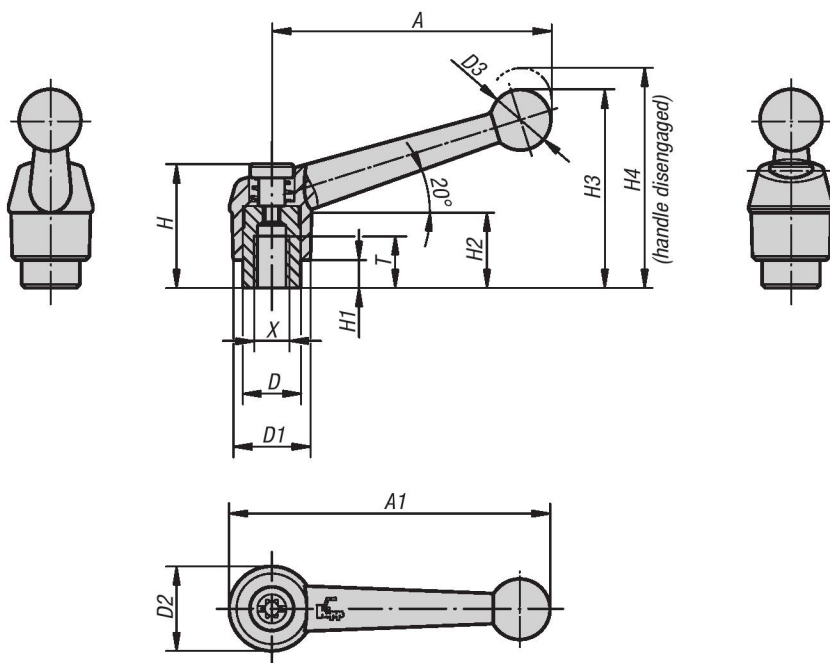


Adjustable Handles

Classic Ball Style, Zinc, inserts and internal components steel, internal thread

INCH
Parts

METRIC
Parts



Material:

Handle die-cast zinc DIN 12844.
Steel parts quality class 5.8.

Type:

Handle powder-coated,
steel parts black oxide finish

Part Number Example:

K0116.1AE1

Note:

Standard colors are:
black satin finish, silver metallic.

On request:

Other internal threads, colors and special versions.
Dimension "H1" can be produced in other lengths at
an additional charge.





Adjustable Handles

Classic Ball Style, Zinc, inserts and internal components steel, internal thread

KIPP Adjustable Handles, Classic Ball Style, Zinc, with internal thread, components in steel, inch

Item No. black, satin finish	Item No. silver metallic	Size	X	T	D	D1	D2	D3	H	H1	H2	H3	H4	A	A1	No. of teeth
K0116.1AE1	K0116.1AE3	1	8-32	9	10	13	14	10.5	24.5	4	15	32.5	35.5	39	46	16
K0116.1A01	K0116.1A03	1	10-24	9	10	13	14	10.5	24.5	4	15	32.5	35.5	39	46	16
K0116.1A11	K0116.1A13	1	10-32	9	10	13	14	10.5	24.5	4	15	32.5	35.5	39	46	16
K0116.1A21	K0116.1A23	1	1/4-20	9	10	13	14	10.5	24.5	4	15	32.5	35.5	39	46	16
K0116.2A21	K0116.2A23	2	1/4-20	12	13.5	18	18.5	15.5	28.5	6.5	16.5	45.5	49.5	64	73	20
K0116.2A31	K0116.2A33	2	5/16-18	12	13.5	18	18.5	15.5	28.5	6.5	16.5	45.5	49.5	64	73	20
K0116.3A31	K0116.3A33	3	5/16-18	14	16	21	22	17	37	10	23	57.5	61.5	79	90	22
K0116.3A41	K0116.3A43	3	3/8-16	14	16	21	22	17	37	10	23	57.5	61.5	79	90	22
K0116.4A41	K0116.4A43	4	3/8-16	17	19	25	26	19	42.5	10	26	67	72	95	108	24
K0116.4A51	K0116.4A53	4	1/2-13	17	19	25	26	19	42.5	10	26	67	72	95	108	24
K0116.5A51	K0116.5A53	5	1/2-13	23	23	30	31	22	49	12	32	79	84	110	126	26
K0116.5A61	K0116.5A63	5	5/8-11	23	23	30	31	22	49	12	32	79	84	110	126	26

KIPP Adjustable Handles, Classic Ball Style, Zinc, with internal thread, components in steel, metric

Item No. black satin finish	Item No. silver metallic	Size	X	T	D	D1	D2	D3	H	H1	H2	H3	H4	A	A1	No. of teeth
K0116.1041	K0116.1043	1	M4	9	10	13	14	10,5	24,5	4	15	32,5	35,5	39	46	16
K0116.1051	K0116.1053	1	M5	9	10	13	14	10,5	24,5	4	15	32,5	35,5	39	46	16
K0116.1061	K0116.1063	1	M6	9	10	13	14	10,5	24,5	4	15	32,5	35,5	39	46	16
K0116.2061	K0116.2063	2	M6	12	13,5	18	18,5	15,5	28,5	6,5	16,5	45,5	49,5	64	73	20
K0116.2081	K0116.2083	2	M8	12	13,5	18	18,5	15,5	28,5	6,5	16,5	45,5	49,5	64	73	20
K0116.3081	K0116.3083	3	M8	14	16	21	22	17	37	10	23	57,5	61,5	79	90	22
K0116.3101	K0116.3103	3	M10	14	16	21	22	17	37	10	23	57,5	61,5	79	90	22
K0116.4101	K0116.4103	4	M10	17	19	25	26	19	42,5	10	26	67	72	95	108	24
K0116.4121	K0116.4123	4	M12	17	19	25	26	19	42,5	10	26	67	72	95	108	24
K0116.5121	K0116.5123	5	M12	23	23	30	31	22	49	12	32	79	84	110	126	26
K0116.5161	K0116.5163	5	M16	23	23	30	31	22	49	12	32	79	84	110	126	26



Adjustable Handles

Classic Ball Style, Zinc, bolts and internal components in steel, external thread

INCH Parts METRIC Parts



Material:

Handle die-cast zinc DIN 12844.
Steel parts quality class 5.8.

Type:

Handle powder-coated;
steel bolts and internal components black oxide finish

Part Number Example:

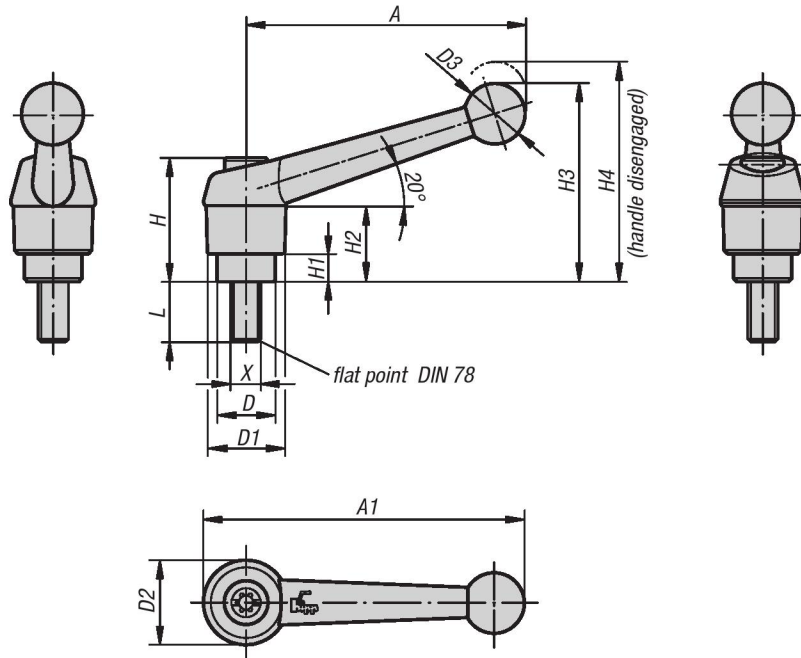
K0116.1A01X10
(include length L)

Note:

Standard colors are:
black satin finish, silver metallic.

On request:

Other external threads, screw lengths, colors and special versions.
Dimension "H1" can be produced in other lengths at an additional charge.



KIPP Measurements, external thread

Size	X	D	D1	D2	D3	H	H1	H2	H3	H4	A	A1	No. of teeth
1	10-24 / M5	10	13	14	10.5	24.5	4	15	32.5	35.5	39	46	16
1	10-32	10	13	14	10.5	24.5	4	15	32.5	35.5	39	46	16
1	1/4-20 / M6	10	13	14	10.5	24.5	4	15	32.5	35.5	39	46	16
2	1/4-20 / M6	13.5	18	18.5	15.5	28.5	6.5	16.5	45.5	49.5	64	73	20
2	5/16-18 / M8	13.5	18	18.5	15.5	28.5	6.5	16.5	45.5	49.5	64	73	20
2	3/8-16 / M10	13.5	18	18.5	15.5	28.5	6.5	16.5	45.5	49.5	64	73	20
3	5/16-18 / M8	16	21	22	17	37	10	23	57.5	61.5	79	90	22
3	3/8-16 / M10	16	21	22	17	37	10	23	57.5	61.5	79	90	22
4	3/8-16 / M10	19	25	26	19	42.5	10	26	67	72	95	108	24
4	1/2-13 / M12	19	25	26	19	42.5	10	26	67	72	95	108	24
5	1/2-13 / M12	23	30	31	22	49	12	32	79	84	110	126	26
5	5/8-11 / M16	23	30	31	22	49	12	32	79	84	110	126	26



Adjustable Handles

Classic Ball Style, Zinc, bolts and internal components in steel, external thread

KIPP Adjustable Handles, Classic Ball Style, Zinc, with external thread, components in steel, inch

Item No. black satin finish	Item No. silver metallic	Size	X	L
K0116.1A01X	K0116.1A03X	1	10-24	10/15/20/25/30/35/40/45/50
K0116.1A11X	K0116.1A13X	1	10-32	10/15/20/25/30/35/40/45/50
K0116.1A21X	K0116.1A23X	1	1/4-20	10/15/20/25/30/35/40/45/50
K0116.2A21X	K0116.2A23X	2	1/4-20	15/20/25/30/35/40/45/50/55/60
K0116.2A31X	K0116.2A33X	2	5/16-18	15/20/25/30/35/40/45/50/55/60
K0116.2A41X	K0116.2A43X	2	3/8-16	15/20/25/30/35/40/45/50/55/60
K0116.3A31X	K0116.3A33X	3	5/16-18	15/20/25/30/35/40/45/50/55/60
K0116.3A41X	K0116.3A43X	3	3/8-16	15/20/25/30/35/40/45/50/55/60
K0116.4A41X	K0116.4A43X	4	3/8-16	20/25/30/35/40/45/50/55/60/70/80/90
K0116.4A51X	K0116.4A53X	4	1/2-13	20/25/30/35/40/45/50/55/60/70/80/90
K0116.5A51X	K0116.5A53X	5	1/2-13	25/30/35/40/45/50/55/60/70/80/90
K0116.5A61X	K0116.5A63X	5	5/8-11	25/30/35/40/45/50/55/60/70/80/90

KIPP Adjustable Handles, Classic Ball Style, Zinc, with external thread, components in steel, metric

Item No. black satin finish	Item No. silver metallic	Size	X	L
K0116.1051X	K0116.1053X	1	M5	10/15/20/25/30/35/40/45/50
K0116.1061X	K0116.1063X	1	M6	10/15/20/25/30/35/40/45/50
K0116.2061X	K0116.2063X	2	M6	15/20/25/30/35/40/45/50/55/60
K0116.2081X	K0116.2083X	2	M8	15/20/25/30/35/40/45/50/55/60
K0116.2101X	K0116.2103X	2	M10	15/20/25/30/35/40/45/50/55/60
K0116.3081X	K0116.3083X	3	M8	15/20/25/30/35/40/45/50/55/60
K0116.3101X	K0116.3103X	3	M10	15/20/25/30/35/40/45/50/55/60
K0116.4101X	K0116.4103X	4	M10	20/25/30/35/40/45/50/55/60/70/80/90
K0116.4121X	K0116.4123X	4	M12	20/25/30/35/40/45/50/55/60/70/80/90
K0116.5121X	K0116.5123X	5	M12	25/30/35/40/45/50/55/60/70/80/90
K0116.5161X	K0116.5163X	5	M16	25/30/35/40/45/50/55/60/70/80/90