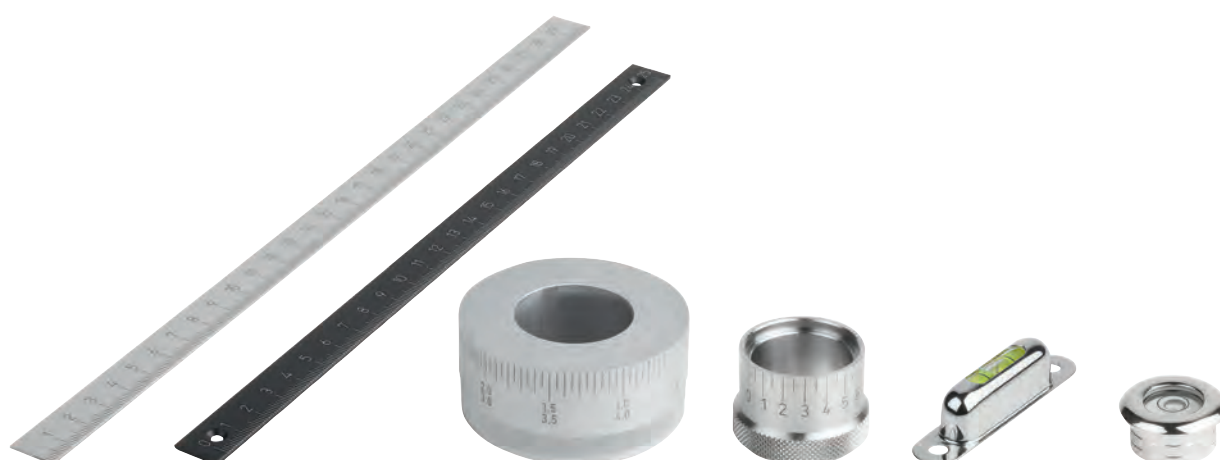




Scales, scale rings, level vials

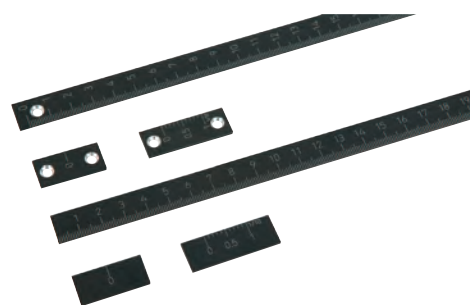


K0757

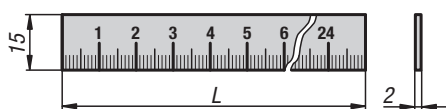


Linear scales

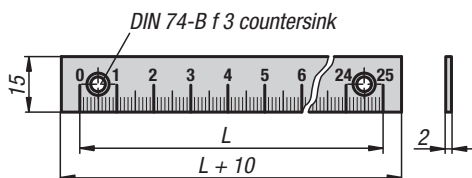
self adhesive or with screw holes, aluminium



self-adhesive horizontal mounting



with holes horizontal mounting



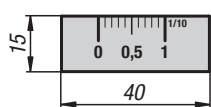
Material:
Aluminium.

Version:
Black anodized

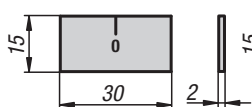
Sample order:
K0757.000010X0250 (include length L)

Note:
Rigid design aluminium linear scales with self-adhesive back or with screw holes.
Cross section 15 x 2 mm.

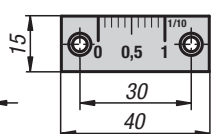
Vernier scale



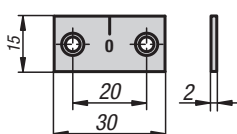
zero mark



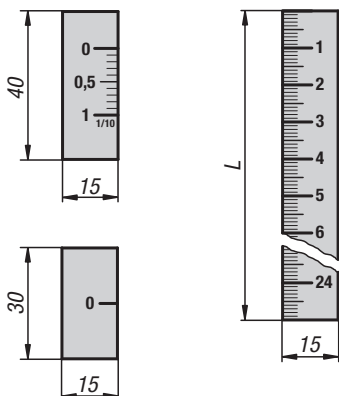
Vernier scale



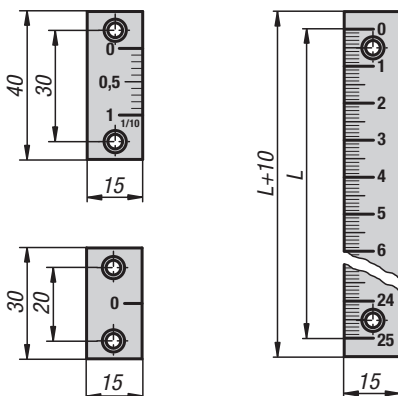
zero mark



self-adhesive vertical mounting



with holes vertical mounting



Black anodized surface and high contrast graduations for legibility without shading. The graduations are deep lasered.

On request:

- Zero mark lower right or centre
- Graduations upper right or both sides
- Other lengths

Length L	No. of holes
250	2
500	3
750	4
1000	5

KIPP Linear scales, self adhesive or with screw holes, aluminium

Order No. self adhesive	Order No. with hole	Version	Assembly position	Zero point	Division	Graduations	L
K0757.000010X	K0757.100010X	scale	horizontal	left	1 mm	bottom	250/500/750/1000
K0757.010010X	K0757.110010X	scale	vertical	top	1 mm	left	250/500/750/1000

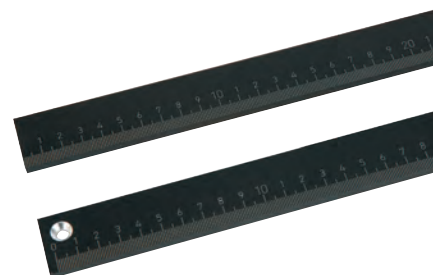
KIPP Vernier scale and zero reference, self adhesive or with holes, aluminium

Order No. self adhesive	Order No. with hole	Version	Assembly position	Zero point	Graduations
K0757.0001	K0757.1001	vernier scale	horizontal	left	top
K0757.0101	K0757.1101	vernier scale	vertical	top	right
K0757.00	K0757.10	zero reference mark	horizontal	-	-
K0757.01	K0757.11	zero reference mark	vertical	-	-

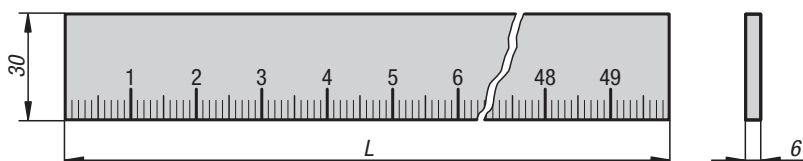
K0758

Linear scales

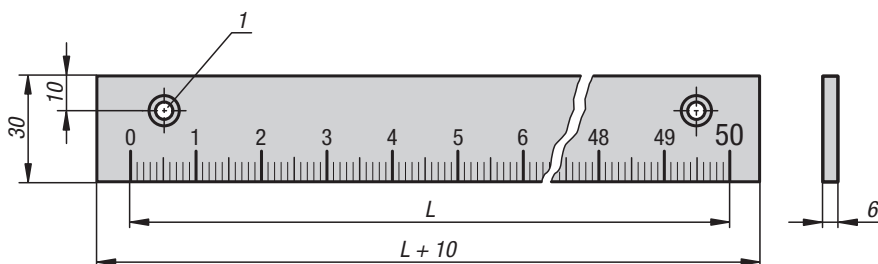
self-adhesive or with screw holes, aluminium



self-adhesive



with holes



Length L	No. of holes
500	2
1000	3

Material:
Aluminium.

Version:
Scale surface ground and black anodized

Sample order:
K0758.000010X0500 (include length L)

Note:
Rigid, heavy-duty design aluminium linear scales.
Cross section 30 x 6 mm.

Black anodized surface and high contrast graduations for legibility without shading.
The graduations are deep lasered.

On request:
– Zero mark right or centre
– Graduations top or both sides
– Other lengths

Drawing reference:
1) counterbore to DIN 74-B f 5



KIPP Linear scales self-adhesive or with screw holes, aluminium



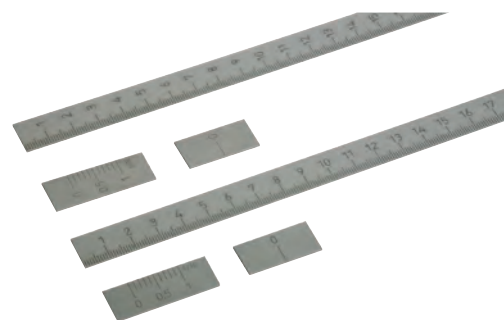
Order No. self adhesive	Order No. with hole	Assembly position	Zero point	Division	Graduations	L
K0758.000010X	K0758.100010X	horizontal	left	1 mm	bottom	500/1000

K0759

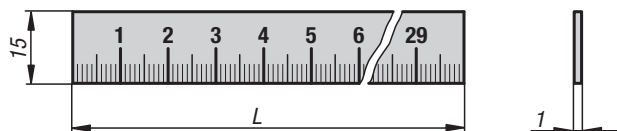


Linear scales

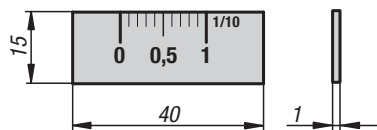
self-adhesive, stainless steel



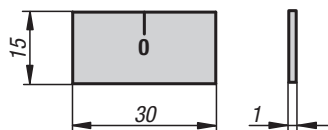
horizontal mounting



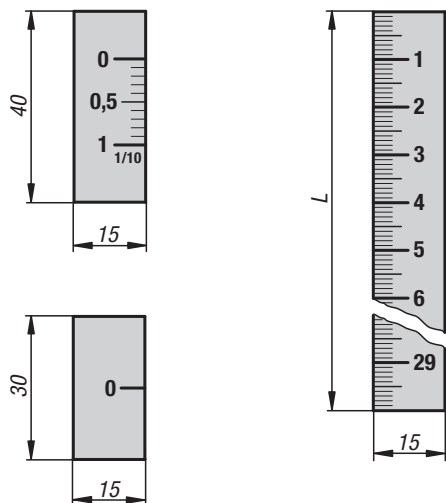
Vernier scale



zero mark



vertical mounting



Material:
Stainless steel 1.4310.

Version:
Bright.

Sample order:
K0759.000010X0300 (include length L)

Note:
Rigid design stainless steel linear scales with self-adhesive back.
Cross section 15 x 1 mm.

Matt surface and black high contrast graduations. The graduations are deep lasered.

On request:
– Zero mark lower right or centre
– Graduations upper right or both sides
– Other lengths

KIPP Linear scales self-adhesive, stainless steel

Order No.	Version	Assembly position	Zero point	Division	Graduations	L
K0759.000010X	scale	horizontal	left	1 mm	bottom	300/500/700/1000
K0759.010010X	scale	vertical	top	1 mm	left	300/500/700/1000

KIPP Vernier scale and zero reference, self-adhesive, stainless steel

Order No.	Version	Assembly position	Zero point	Graduations
K0759.0001	vernier scale	horizontal	left	top
K0759.0101	vernier scale	vertical	top	right
K0759.00	zero reference mark	horizontal	-	-
K0759.01	zero reference mark	vertical	-	-

K1154

Bullseye levels

in frame, to screw on



Material:

Frame brass.
Bullseye level body polyamide.

Version:

Nickel-plated and high-gloss polished.

Sample order:

K1154.1141030

Note:

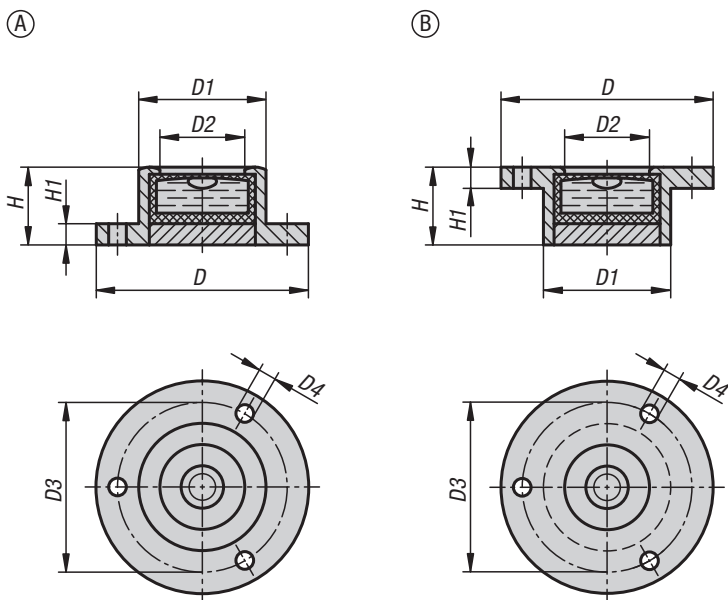
Bubble levels are used as a type of zero indicator instrument for checking horizontal inclination in e.g. spirit levels, inclinometers, metrology instruments and machine constructions.

These bullseye levels can either be screwed down using the three holes (Form A) or recessed (Form B).

- Form A: calibrated to the ground bottom face
- Form B: calibrated to the underside of the flange
- Sensitivity in angular minutes for 2 mm bubble travel
- Clear filling
- Black contrast ring
- White level base

Temperature range:

-35 °C up to +55 °C.



KIPP Bullseye levels in a frame to screw down

Order No.	Form	Version	D	D1	D2	D3	D4 Ø	H	H1	Sensitivity
K1154.1141030	A	with mounting flange	20	14	10	17	1,6	10	1,8	30'
K1154.1171030	A	with mounting flange	25	17	12	21	2	10	2	30'
K1154.1181130	A	with mounting flange	30	18	12	24	2,5	11	3	30'
K1154.1281430	A	with mounting flange	40	28	20	34,5	2,5	14	4	30'
K1154.1341530	A	with mounting flange	50	34	25	43	3	15	5	30'
K1154.2141030	B	inlet flange	20	14	10	17	1,6	10	1,8	30'
K1154.2171030	B	inlet flange	25	17	12	21	2	10	2	30'
K1154.2181130	B	inlet flange	30	18	12	24	2,5	11	3	30'
K1154.2281430	B	inlet flange	40	28	20	34,5	2,5	14	4	30'
K1154.2341530	B	inlet flange	50	34	25	43	3	15	5	30'



K1153

Bullseye levels

in plastic frame

**Material:**

Frame PMMA.

Bullseye level body acrylic glass.

Version:

black.

Sample order:

K1153.171053

Note:

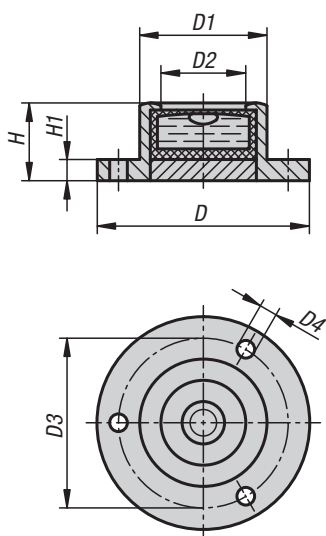
Bubble levels are used as a type of zero indicator instrument for checking horizontal inclination in e.g. spirit levels, inclinometers, metrology instruments and machine constructions.

These bullseye levels can be mounted using the three fastening holes.

- Calibrated to the ground bottom face
- Sensitivity in angular minutes for 2 mm bubble travel
- Clear filling
- Black contrast ring
- White level base

Temperature range:

-35 °C up to +55 °C.



KIPP Bullseye levels in a plastic frame

Order No.	D	D1	D2	D3	D4 Ø	H	H1	Sensitivity
K1153.171053	26	17	11	21,5	2,3	10	3	53'
K1153.201140	30	20	14	25	2,3	11	3	40'
K1153.241153	36	24	18,5	29	3,2	11	3	53'

K1152

Bullseye levels

with bead-edged frame



Material:

Frame brass.
Bullseye level body polyamide.

Version:

Nickel-plated and high-gloss polished.

Sample order:

K1152.181030

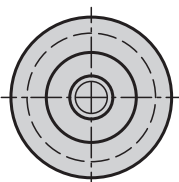
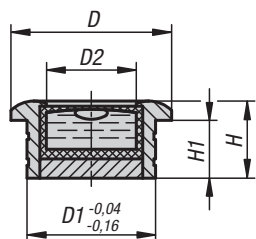
Note:

Bubble levels are used as a type of zero indicator instrument for checking horizontal inclination in e.g. spirit levels, inclinometers, metrology instruments and machine constructions.

- Sensitivity in angular minutes for 2 mm bubble travel
- The bullseye level is calibrated to underside of the flange
- Bead edge with serrations for recessing
- Clear filling
- Black contrast ring
- White level base

Temperature range:

-35 °C up to +55 °C.



KIPP Bullseye levels with bead-edge frame

Order No.	D	D1	D2	H	H1	Sensitivity
K1152.181030	20	18	12	10	8	30'
K1152.201230	25	20	14	12	9	30'
K1152.281330	30	28	20	13	10	30'



Bullseye levels

in round frame



Material:

Frame brass.

Bullseye level body polyamide.

Version:

Nickel-plated and high-gloss polished.

Sample order:

K1155.1140930

Note:

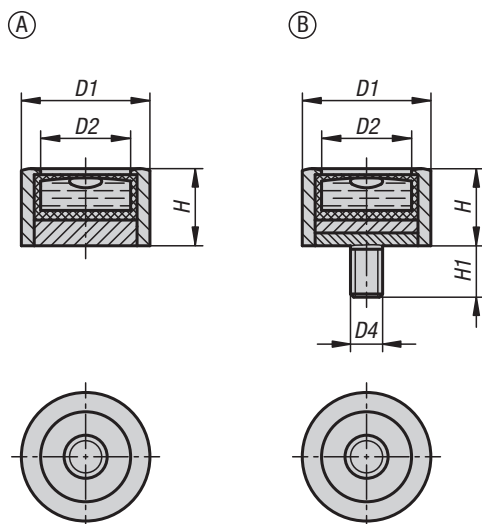
Bubble levels are used as a type of zero indicator instrument for checking horizontal inclination in e.g. spirit levels, inclinometers, metrology instruments and machine constructions.

Form B can be fastened using a grub screw.

- Sensitivity in angular minutes for 2 mm bubble travel
- The bullseye level is calibrated to the seating face of frame
- Various threads are available
- Clear filling
- Black contrast ring
- White level base

Temperature range:

-35 °C up to +55 °C.



KIPP Bullseye levels in a round frame

Order No.	Form	D1	D2	D4 Ø	H	H1	Sensitivity
K1155.1140930	A	14	10	-	9,5	-	30'
K1155.1181130	A	18	12	-	11	-	30'
K1155.1201230	A	20	14	-	12	-	30'
K1155.1301530	A	30	21	-	15	-	30'
K1155.2140730	B	14	10	M4	7,5	5	30'
K1155.2181230	B	18	12	M6	12	5	30'
K1155.2201230	B	20	14	M5	12	8	30'
K1155.2301530	B	30	21	M8	15	10	30'

Bullseye level body

**Material:**

Bullseye level body stainless steel up to Ø14 mm, then aluminium.

Sight window glass.

Version:

Aluminium black anodized.

Sample order:

K1156.120725

Note:

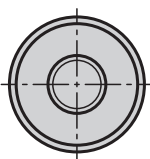
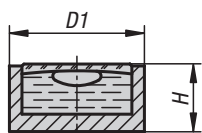
Bubble levels are used as a type of zero indicator instrument for checking horizontal inclination in e.g. spirit levels, inclinometers, metrology instruments and machine constructions.

Excellent bubble contour, with internal bubble ring to eliminate planar parallaxes.

- Sensitivity in angular minutes for 2 mm bubble travel
- Clear filling

Temperature range:

-35 °C up to +55 °C.



KIPP Bullseye level body

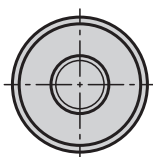
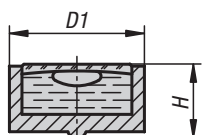
Order No.	Main material	D1	H	Sensitivity
K1156.120710	stainless steel	12	6	10'
K1156.120725	stainless steel	12	6	25'
K1156.140710	aluminium	14	6,5	10'
K1156.140720	aluminium	14	6,5	20'
K1156.150710	aluminium	15	6,5	10'
K1156.150720	aluminium	15	6,8	20'
K1156.200810	aluminium	20	8,5	10'
K1156.200820	aluminium	20	8,5	20'
K1156.250910	aluminium	25	8,5	10'
K1156.250920	aluminium	25	8,5	20'



K1157

Bullseye level body

plastic

**Material:**
Polyamide**Version:**
Ivory coloured.**Sample order:**
K1157.120720**Note:**
Bubble levels are used as a type of zero indicator instrument for checking horizontal inclination in e.g. spirit levels, inclinometers, metrology instruments and machine constructions.
With internal black contrast ring for better bubble contour.
- Protruding fill point underneath.
- Sensitivity in angular minutes for 2 mm bubble travel
- Clear filling**Temperature range:**
-35 °C up to +55 °C.

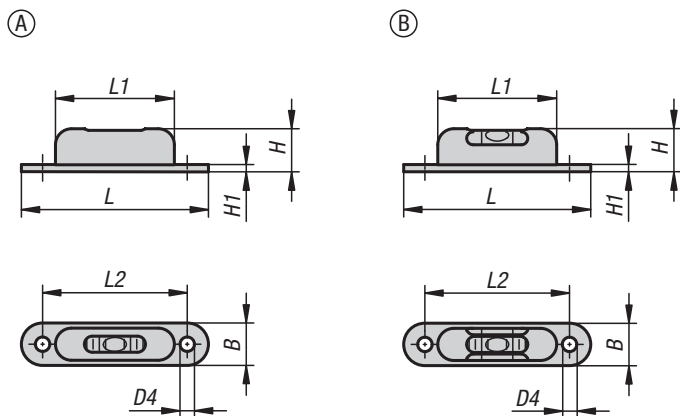
KIPP Bullseye level body plastic

Order No.	D1	H	Sensitivity
K1157.120720	12	7	20'
K1157.140730	14	7,7	30'
K1157.150720	15	7,7	20'
K1157.180930	18	9,2	30'
K1157.201040	20	10,6	40'
K1157.251230	25	11,5	30'

K1158

Tubular bubble levels

with frame to screw on



Material:
 Frame brass.
 Tubular bubble vial glass.

Version:
 Nickel-plated and high-gloss polished. Form B: black anodised.

Sample order:
 K1158.1571350

Note:
 Bubble levels are used as a type of zero indicator instrument for checking horizontal inclination in e.g. spirit levels, inclinometers, metrology instruments and machine constructions.
 The tubular levels can be fastened using the two holes.
 - Form A: one sight window
 - Form B: three sight windows
 - Sensitivity in angular minutes for 2 mm bubble travel
 - Green filling

Temperature range:
 -35 °C up to +55 °C.

KIPP Tubular levels with frame to screw down

Order No.	Form	B	D4 Ø	H	H1	L Nom. length	L1	L2	Sensitivity
K1158.1571350	A	12,3	4,5	13	1	57	37	45	50'
K1158.2571305	B	12,3	4,5	13	1	57	37	45	5'



Scale rings to customer specifications



Material:

Steel 1.192.

Version:

Matt-finished chromium-plated.
Scale marks and figures in black.

Note:

The above version has proven itself for „avoiding reading errors“. The matt-finished chromium-plated surface and the black scale marks and figures contrast very well.

However, other surface finishes and materials are available on request.

Notes

