

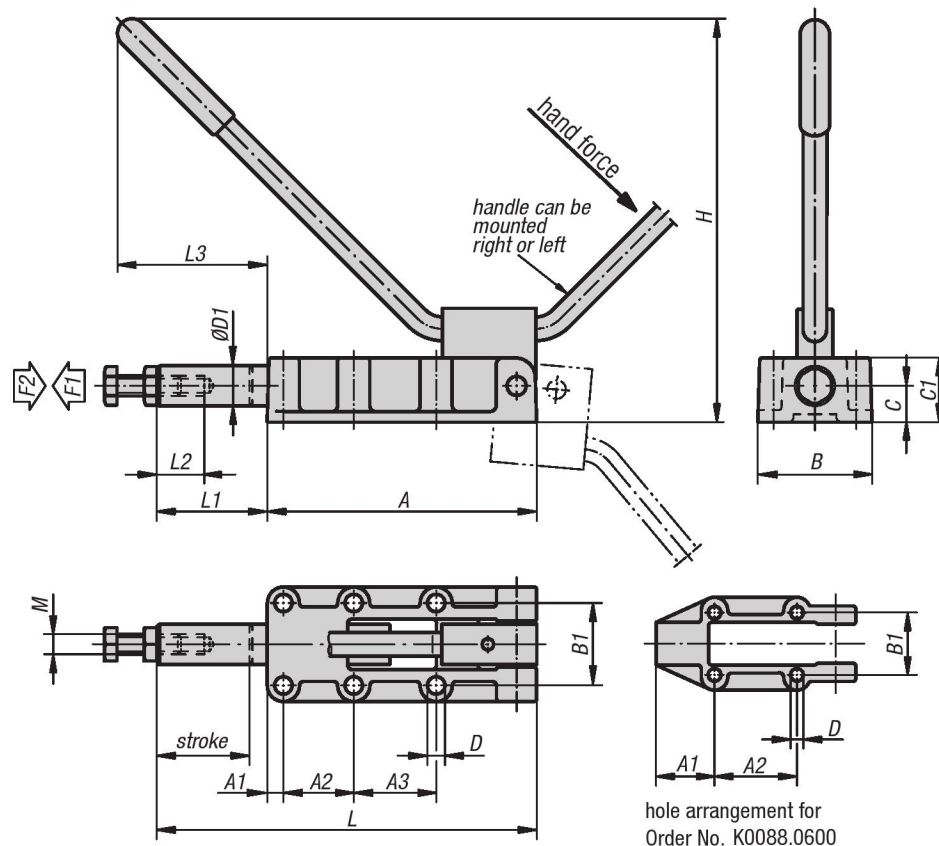


# Push-Pull Clamps

heavy-duty version with reversible hand lever

METRIC Parts

New Item



**Material:**

Steel, body in spheroidal graphite cast iron (GJS)

**Type:**

Phosphated, hand lever galvanized and chromated, plastic handle oil-resistant

**Part Number Example:**

K0088.0600

**Note:**

The clamps lock in the open and closed handle positions. They can be used for thrust or tension clamping. The clamps have a stroke limitation for advance and retraction.

**Accessories:**

- K0099
- K0101
- K0102
- K0103
- K0106

## KIPP Push-pull Clamps heavy-duty version with reversible hand lever, metric

Item No.	A	A1	A2	A3	B	B1	C	C1	D	D1	H	L	L1	L2	L3	M	Stroke	Hand force N	Holding force F2 N	Opening angle of handle
K0088.0600	89	25	36,5	-	46	33,4	12	23	5,5	14	127	127	38	30	65	M8	32	140	6000	185°
K0088.1200	133	8	35	41	61	41	18	32	8,5	20	196	188	55	40	106	M10	50	150	12000	185°
K0088.2500	197	11	45	45	82	54	22	41	10,3	25	270	300	103	60	125	M12	75	170	25000	185°
K0088.5000	254	10	70	70	85	57	28	50	10,3	30	360	390	136	60	155	M16	100	200	50000	185°

Item No.	Conecting rod extended / Clamping force F1 N
K0088.0600	5 mm / 1100 N, 10 mm / 700N, 15mm / 750N, 20mm / 800N, 25mm / 850N, 30mm / 1460N, 31mm / 1900N, 32mm / 5800N
K0088.1200	5 mm / 1670 N, 10 mm / 900N, 15mm / 730N, 20mm / 700N, 25mm / 720N, 30mm / 850N, 35mm / 1000N, 40mm / 1100N, 45mm / 1500N, 48mm / 2200N, 49mm / 2900N, 50mm / 9300N
K0088.2500	10 mm / 1000N, 20mm / 720N, 30mm / 600N, 40mm / 700N, 50mm / 880N, 60mm / 1180N, 70mm / 1900N, 72mm / 2300N, 74mm / 3530N, 75mm / 11000N
K0088.5000	10 mm / 1800N, 20mm / 1100N, 30mm / 7500N, 40mm / 800N, 50mm / 820N, 60mm / 1000N, 70mm / 1000N, 80mm / 1300N, 90mm / 1900N, 95mm / 2500N, 97mm / 3100N, 99mm/4500N, 100mm / 12100N