

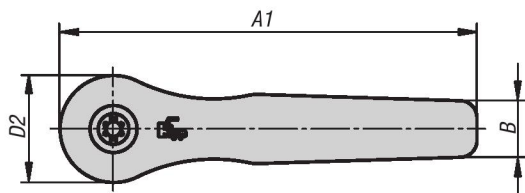
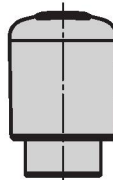
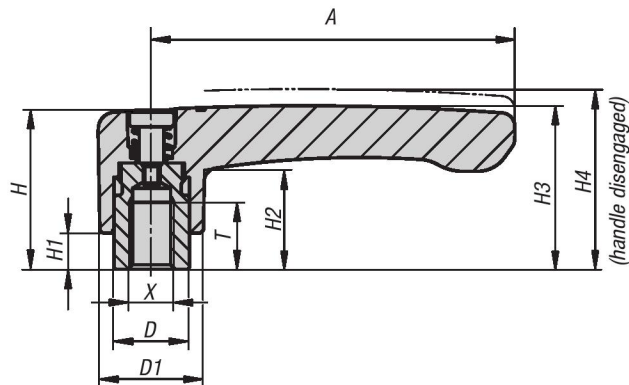


Adjustable Handles straight

inserts and internal components steel, internal thread

INCH Parts METRIC Parts

New Item



Material:

Handle die-cast zinc DIN 12844.
Steel parts quality class 5.8.

Type:

Handle powder-coated.
Steel parts black oxide finish.

Part Number Example:

K0737.2061

Note:

Standard colors are:
black satin finish, orange RAL 2004.

On request:

Other internal threads, colors and special versions.
Dimension "H1" available in other lengths at an additional charge.



KIPP Adjustable Handles straight, internal thread, inch

Item No. black satin finish	Item No. orange	Size	X	T	D	D2	D2	H	H1	H2	H3	H4	A	A1	B	No. of teeth
K0737.2A21	K0737.2A22	2	1/4-20	12	13.5	18.5	19.1	28.5	6.5	17.8	29.2	32.2	65	74.5	10.1	20
K0737.2A31	K0737.2A32	2	5/16-18	12	13.5	18.5	19.1	28.5	6.5	17.8	29.2	32.2	65	74.5	10.1	20
K0737.3A31	K0737.3A32	3	5/16-18	14	16	21.2	22	37	10	23.8	38	42	80	91	11.7	22
K0737.3A41	K0737.3A42	3	3/8-16	14	16	21.2	22	37	10	23.8	38	42	80	91	11.7	22

KIPP Adjustable Handles straight, internal thread, metric

Item No. black satin finish	Item No. orange	Size	X	T	D	D2	D2	H	H1	H2	H3	H4	A	A1	B	No. of teeth
K0737.2061	K0737.2062	2	M6	12	13,5	18,5	19,1	28,5	6,5	17,8	29,2	32,2	65	74,5	10,1	20
K0737.2081	K0737.2082	2	M8	12	13,5	18,5	19,1	28,5	6,5	17,8	29,2	32,2	65	74,5	10,1	20
K0737.3081	K0737.3082	3	M8	14	16	21,2	22	37	10	23,8	38	42	80	91	11,7	22
K0737.3101	K0737.3102	3	M10	14	16	21,2	22	37	10	23,8	38	42	80	91	11,7	22

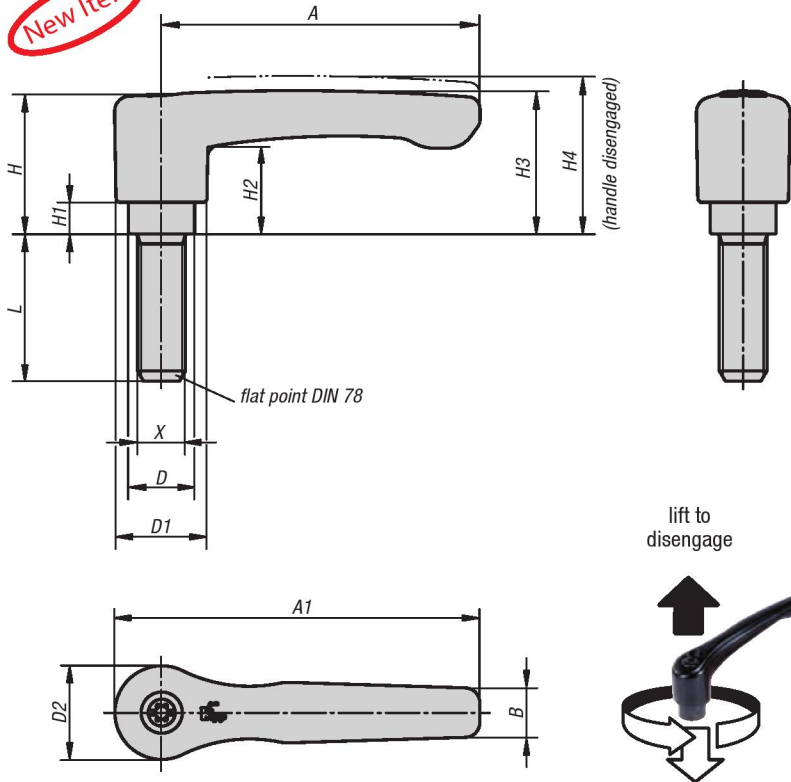


Adjustable Handles straight

bolts and internal components in steel, external thread

INCH Parts METRIC Parts

New Item



Material:
Handle die-cast zinc DIN 12844.
Steel parts quality class 5.8.

Type:
Handle powder-coated.
Steel parts black oxide finish.

Part Number Example:
K0737.2061X15 (include length L)

Note:
Standard colors are:
black satin finish, orange RAL 2004.

On request:
Other external threads, screw lengths, colors
and special versions.
Dimension "H1" available in other lengths at
an additional charge.

KIPP Measurements, external thread

Size	X	D	D1	D2	H	H1	H2	H3	H4	A	A1	B	No. of teeth
2	1/4-20 ; 5/16-18 ; 3/8-16	13,5	18,5	19,1	28,5	6,5	17,8	29,2	32,2	65	74,5	10,1	20
3	5/16-18 ; 3/8-16	16	21,2	22	37	10	23,8	38	42	80	91	11,7	22
2	M6 ; M8 ; M10	13,5	18,5	19,1	28,5	6,5	17,8	29,2	32,2	65	74,5	10,1	20
3	M8 ; M10	16	21,2	22	37	10	23,8	38	42	80	91	11,7	22

KIPP Adjustable Handles straight, external thread, inch

Item No. black satin finish	Item No. orange	Size	X	L
K0737.2A21X	K0737.2A22X	2	1/4-20	15/20/25/30/35/40/45/50/55/60
K0737.2A31X	K0737.2A32X	2	5/16-18	15/20/25/30/35/40/45/50/55/60
K0737.2A41X	K0737.2A42X	2	3/8-16	15/20/25/30/35/40/45/50/55/60
K0737.3A31X	K0737.3A32X	3	5/16-18	15/20/25/30/35/40/45/50/55/60
K0737.3A41X	K0737.3A42X	3	3/8-16	15/20/25/30/35/40/45/50/55/60

KIPP Adjustable Handles straight, external thread, metric

Item No. black satin finish	Item No. orange	Size	X	L
K0737.2061X	K0737.2062X	2	M6	15/20/25/30/35/40/45/50/55/60
K0737.2081X	K0737.2082X	2	M8	15/20/25/30/35/40/45/50/55/60
K0737.2101X	K0737.2102X	2	M10	15/20/25/30/35/40/45/50/55/60
K0737.3081X	K0737.3082X	3	M8	15/20/25/30/35/40/45/50/55/60
K0737.3101X	K0737.3102X	3	M10	15/20/25/30/35/40/45/50/55/60