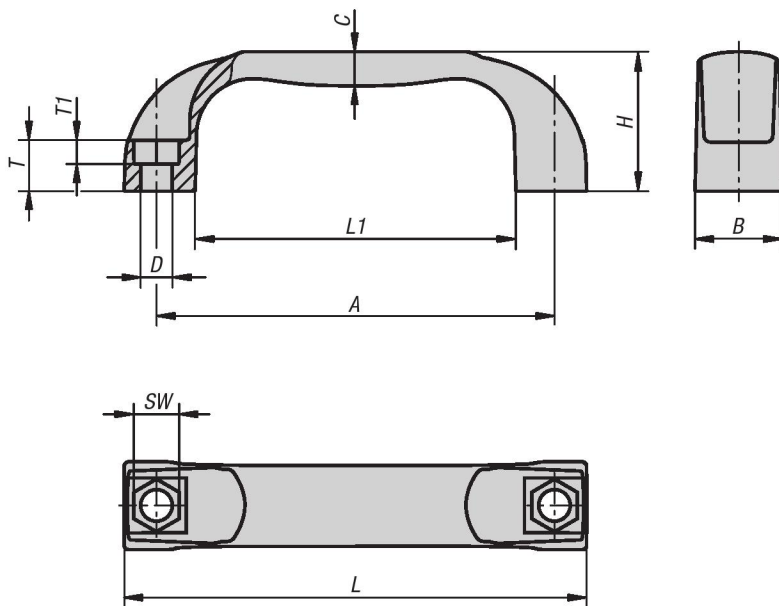




Pull Handles

thermoplastic front and rear mount

METRIC
Parts



Material:

Thermoplast PA (polyamide), glass-bead reinforced or PP (polypropylene), fibreglass reinforced.

Type:

Anthracite gray

Part Number Example:

K0190.113208

Note:

The fastening hole is designed to accept the head of a socket or hexagon head bolt or a hexagon nut.

On request:

Popular RAL colors.

KIPP Pull Handles thermoplastic, metric

| Item No. | Version | A | B | C | D | H | L | L1 | SW | T | T1 | Load capacity N |
|--------------|------------------|----------|----|----|-----|----|-----|-----|----|----|----|-----------------|
| K0190.109406 | Thermoplastic PA | 94 ±0,5 | 21 | 8 | 6,6 | 36 | 109 | 76 | 10 | 13 | 6 | 1000 |
| K0190.111708 | Thermoplastic PA | 117 ±0,5 | 26 | 10 | 9 | 41 | 136 | 94 | 13 | 15 | 8 | 1500 |
| K0190.113208 | Thermoplastic PA | 132 ±0,5 | 27 | 11 | 9 | 44 | 154 | 112 | 13 | 16 | 8 | 1500 |
| K0190.117908 | Thermoplastic PA | 179 ±1,0 | 28 | 11 | 9 | 50 | 197 | 156 | 13 | 17 | 8 | 1500 |
| K0190.209406 | Thermoplastic PP | 94 ±0,5 | 21 | 8 | 6,6 | 36 | 109 | 76 | 10 | 13 | 6 | 500 |
| K0190.211708 | Thermoplastic PP | 117 ±0,5 | 26 | 10 | 9 | 41 | 136 | 94 | 13 | 15 | 8 | 800 |
| K0190.213208 | Thermoplastic PP | 132 ±0,5 | 27 | 11 | 9 | 44 | 154 | 112 | 13 | 16 | 8 | 800 |
| K0190.217908 | Thermoplastic PP | 179 ±1,0 | 28 | 11 | 9 | 50 | 197 | 156 | 13 | 17 | 8 | 800 |