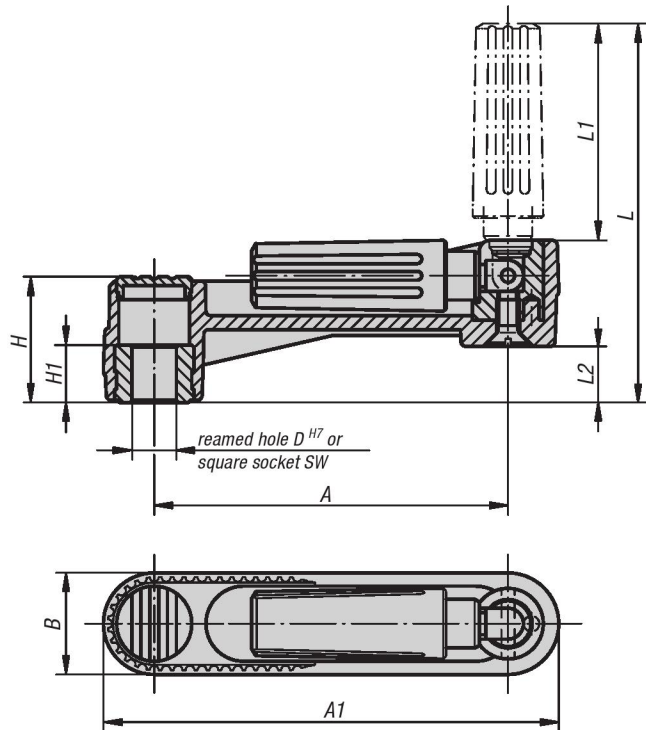




# Crank Handles

with fold-away grip

INCH Parts METRIC Parts



**Novo-Grip Crank Handles** are part of Kipp's advanced engineering Novo-Grip product line. These trend-setting Crank Handles are ergonomically designed to perform in any application offering strength, durability, and precision performance while offering an attractive appearance.

**Material:**

Black gray thermoplastic.

**Type:**

Steel parts black oxide finish.

**Part Number Example:**

K0266.11CO

**Note:**

The hub cap is supplied loose.

The crank handle can be secured to a shaft using a transverse pin or by parallel key connection together with a DIN 6912 socket head screw and a DIN 7349 washer.

## KIPP Crank Handles, with fold-away grip, inch

Item No.	Size	A	A1	B	D	H	H1	L	L1	L2
K0266.11CO	1	80	104	24	.375	29	13	85.5	49	13
K0266.12CO	2	100	129	29	.375	36	13	105	59.5	16
K0266.12CP	2	100	129	29	.500	36	13	105	59.5	16
K0266.13CP	3	125	161	36	.500	44	18.5	140	83.5	19.5

## KIPP Crank Handles, with fold-away grip, metric

Item No.	Size	A	A1	B	D	H	H1	L	L1	L2
K0266.1108	1	80	104	24	8	29	13	85,5	49	13
K0266.1210	2	100	129	29	10	36	13	105	59,5	16
K0266.1212	2	100	129	29	12	36	13	105	59,5	16
K0266.1312	3	125	161	36	12	44	18,5	140	83,5	19,5