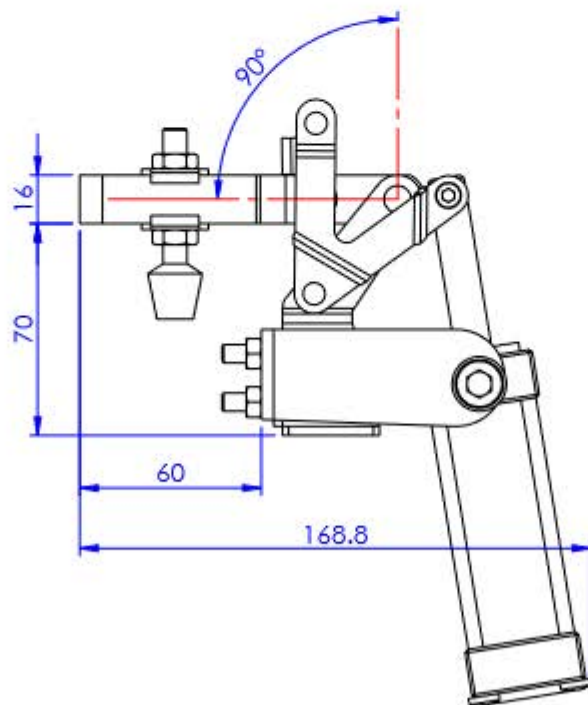
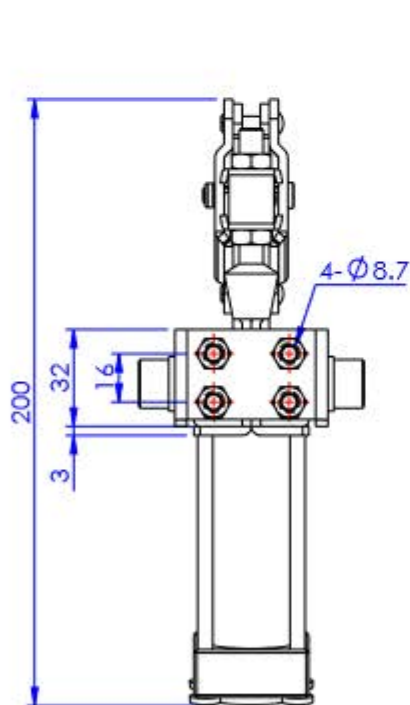
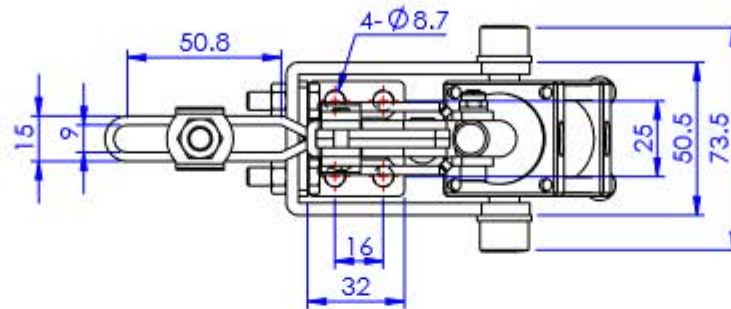


Part No:	GH-20820-A
Holding Capacity:	100Kg
Bar Opens:	90°
Weight:	0.958Kg
Spindle Supplied:	FC-086312
Flanged Washers:	FW-516
Air Connection Size:	1/8NPT



Unit:mm

Scale: 1:2.5

Good Hand UK Ltd

TITLE:

DWG NO.

GH-120820-A

A4