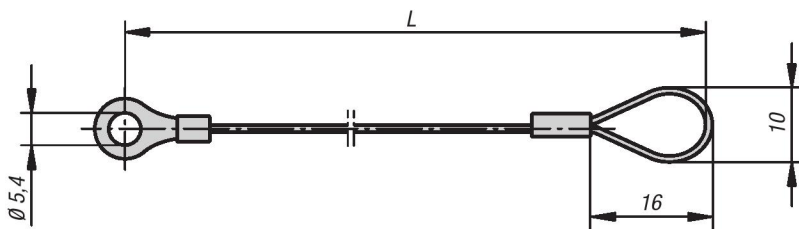




Pin Retaining Cables

with eye

METRIC
Parts



Material:

Retaining cable in stainless steel.
Clip and eye in aluminum.

Type:

Cable plastic coated.

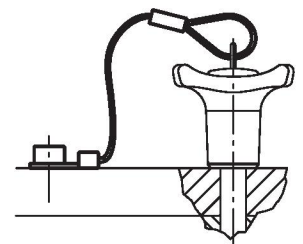
Part Number Example:

K0367.0150

Note:

With the Retaining Cable and Pin Ring (K0367) the Ball Lock Pins (K0363 and K0364) can be secured so that they cannot be lost. A screw M5 is used to secure the retaining cable.

Application temperature: +80 °C.



KIPP Pin Retaining Cables with eye, metric

Item No.	L
K0367.0150	150
K0367.0200	200
K0367.0300	300

Pin Retaining Rings

stainless steel



Material:

Stainless steel 1.4310.

Type:

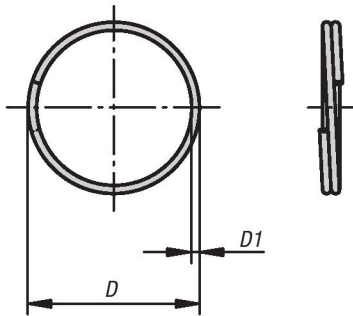
Natural finish.

Part Number Example:

K0367.15

Note:

Suitable for Pin Retaining Cables (K0367),
Ball Lock Pins (K0363, K0364) and
Indexing Plungers (K0341, K0345).



KIPP Pin Retaining Rings, metric

Item No.	D	D1
K0367.15	15	1
K0367.19	19	1
K0367.23	23	1,2
K0367.28	28	1,7