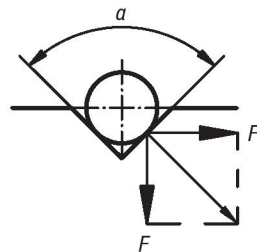
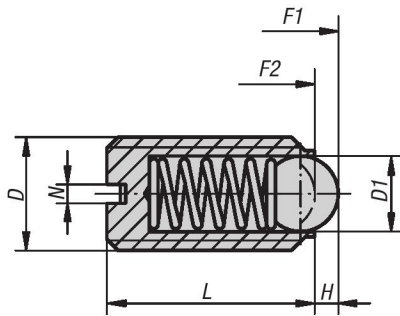


Spring Plungers

with recess and ceramic ball, stainless steel



$$\begin{aligned} \alpha = 60^\circ, F' &= 1,732 \times F \\ \alpha = 90^\circ, F' &= F \\ \alpha = 120^\circ, F' &= 0,577 \times F \end{aligned}$$

Material:

Body 1.4305.
Ceramic ball Si_3N_4 .
Spring 1.4310.

Type:

Natural finish.

Part Number Example:

K0609.05

Note:

The combination of excellent material properties is a special feature of silicon nitride (Si_3N_4). These include, for example, high strength and stability, excellent wear and chemical resistance.

KIPP Spring Plungers with recess and ceramic ball, stainless steel, metric

Item No.	D	D1	L	H	N	Spring force initial pressure F1 approx. N	Spring force final pressure F2 approx. N
K0609.05	M5	3	12	0,9	0,8	6	11
K0609.06	M6	3,5	14	1	1	9	13
K0609.08	M8	5	16	1,5	1,2	15	30
K0609.10	M10	6	19	2	1,6	20	35
K0609.12	M12	8	22	2,5	2	30	55
K0609.16	M16	10	24	3,5	2,5	65	125