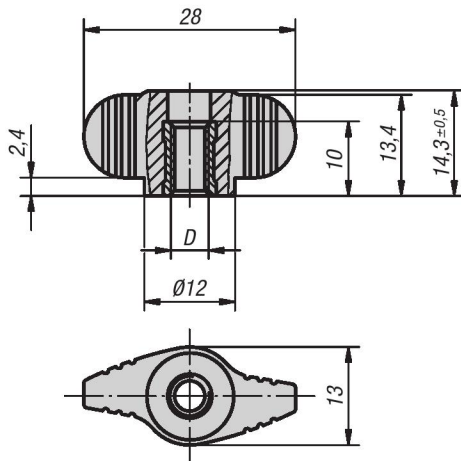




Mini Wings

with continuous internal thread

INCH Parts METRIC Parts



Technical emotions played an important role while developing these small-sized wing grips. The result is a Miniwing that is far more than a means to an end. It is a well-planned operating and working part with finger-specific ergonomics.

Material:

Grip thermoplastic.
Bushing steel 5.8 or stainless steel 1.4305.

Type:

Grip black gray.
Steel blue chromate.
Stainless steel natural finish.

Part Number Example:

K0658.10AE

KIPP Mini Wings with continuous internal thread, inch

Item No.	Version	D
K0658.10AE	bushing in steel	8-32
K0658.10A1	bushing in steel	10-32
K0658.10A2	bushing in steel	1/4-20
K0658.100AE	bushing in stainless steel	8-32
K0658.100A1	bushing in stainless steel	10-32
K0658.100A2	bushing in stainless steel	1/4-20

KIPP Mini Wings with continuous internal thread, metric

Item No.	Version	D
K0658.1004	bushing in steel	M4
K0658.1005	bushing in steel	M5
K0658.1006	bushing in steel	M6
K0658.10004	bushing in stainless steel	M4
K0658.10005	bushing in stainless steel	M5
K0658.10006	bushing in stainless steel	M6