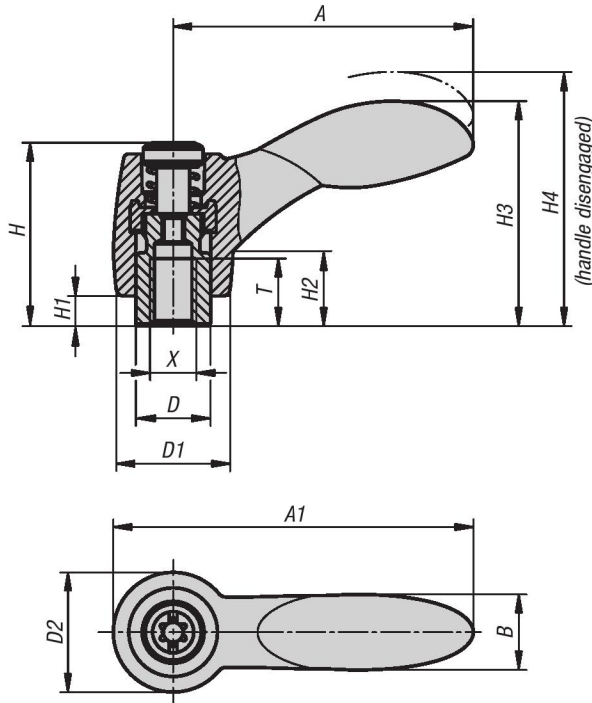




# Adjustable Handles 2K "Cockatoo"

two-component with internal thread

INCH Parts  
METRIC Parts



### Material:

Handle:

Hard component in glass-fibre-reinforced plastic with die cast zinc toothed ring.

Soft component: Thermoflex based on SEBS.

Steel parts:

Quality class 5.8.

### Type:

Steel parts black oxide finish.

### Part Number Example:

K0125.1AE01

### Note:

The hard and soft components are supplied in black gray RAL 7021 as standard.

### On request:

Other internal threads, color combinations and special versions.

Dimension "H1" can be produced in other lengths at an additional charge.

## KIPP Adjustable Handles 2K with internal thread, inch

Item No.	Size	X	T	D	D1	D2	H	H1	H2	H3	H4	A	A1	B	No. of teeth
K0125.1AE01	1	8-32	9	10	15	16	24.5	4	10	30	33.5	40.1	48.1	10.1	16
K0125.1A001	1	10-24	9	10	15	16	24.5	4	10	30	33.5	40.1	48.1	10.1	16
K0125.1A101	1	10-32	9	10	15	16	24.5	4	10	30	33.5	40.1	48.1	10.1	16
K0125.1A201	1	1/4-20	9	10	15	16	24.5	4	10	30	33.5	40.1	48.1	10.1	16
K0125.2A201	2	1/4-20	12	13.5	17.5	19	28.5	6.5	12.5	41.2	45.2	64.9	74.4	17.6	20
K0125.2A301	2	5/16-18	12	13.5	17.5	19	28.5	6.5	12.5	41.2	45.2	64.9	74.4	17.6	20
K0125.3A301	3	5/16-18	14	16	21	22	37	10	17	51.6	56.1	80.2	91.2	20.7	22
K0125.3A401	3	3/8-16	14	16	21	22	37	10	17	51.6	56.1	80.2	91.2	20.7	22

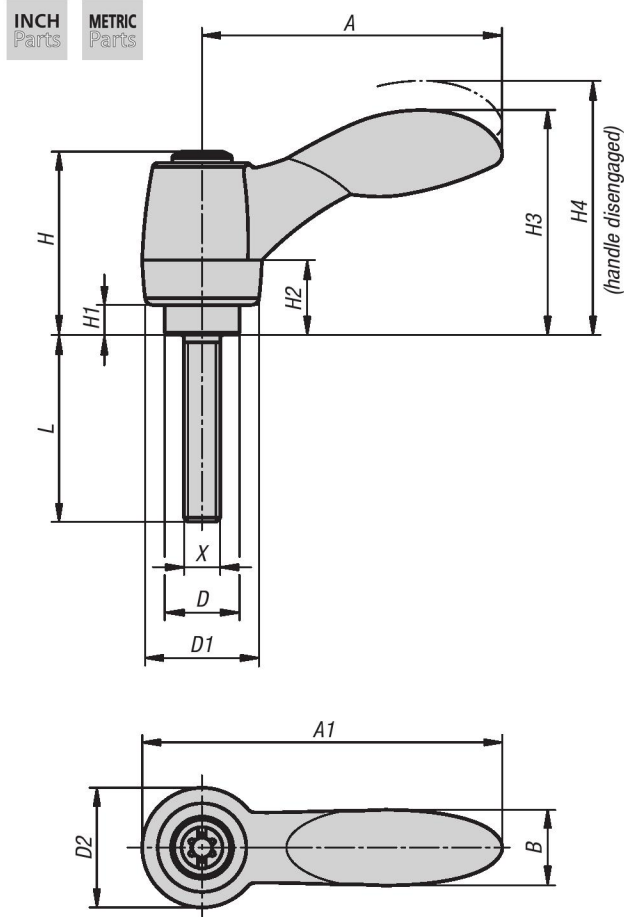
## KIPP Adjustable Handles 2K with internal thread, metric

Item No.	Size	X	T	D	D1	D2	H	H1	H2	H3	H4	A	A1	B	No. of teeth
K0125.10401	1	M4	9	10	15	16	24,5	4	10	30	33,5	40,1	48,1	10,1	16
K0125.10501	1	M5	9	10	15	16	24,5	4	10	30	33,5	40,1	48,1	10,1	16
K0125.10601	1	M6	9	10	15	16	24,5	4	10	30	33,5	40,1	48,1	10,1	16
K0125.20601	2	M6	12	13,5	17,5	19	28,5	6,5	12,5	41,2	45,2	64,9	74,4	17,6	20
K0125.20801	2	M8	12	13,5	17,5	19	28,5	6,5	12,5	41,2	45,2	64,9	74,4	17,6	20
K0125.30801	3	M8	14	16	21	22	37	10	17	51,6	56,1	80,2	91,2	20,7	22
K0125.31001	3	M10	14	16	21	22	37	10	17	51,6	56,1	80,2	91,2	20,7	22



# Adjustable Handles 2K "Cockatoo"

two-component with external thread



**Material:**  
 Handle:  
 Hard component in glass-fibre-reinforced plastic with die cast zinc toothed ring.  
 Soft component: Thermoflex based on SEBS.  
 Steel parts:  
 Quality class 5.8.

**Type:**  
 Steel parts black oxide finish.

**Part Number Example:**  
 K0125.1A001X10  
 (include length L)

**Note:**  
 The hard and soft components are supplied in black gray RAL 7021 as standard.

**On request:**  
 Other external threads, screw lengths, color combinations and special versions.  
 Dimension "H1" can be produced in other lengths at an additional charge.

## KIPP Adjustable Handles 2K with external thread, inch

Item No.	Size	X	D	D1	D2	H	H1	H2	H3	H4	A	A1	B	No. of teeth	L
K0125.1A001X	1	10-24	10	15	16	24.5	4	10	30	33.5	40.1	48.1	10.1	16	10/15/20/25/30/35/40/45/50
K0125.1A101X	1	10-32	10	15	16	24.5	4	10	30	33.5	40.1	48.1	10.1	16	10/20/40/35/15/25/50/45/30
K0125.1A201X	1	1/4-20	10	15	16	24.5	4	10	30	33.5	40.1	48.1	10.1	16	10/15/20/25/30/35/40/45/50
K0125.2A201X	2	1/4-20	13.5	17.5	19	28.5	6.5	12.5	41.2	45.2	64.9	74.4	17.6	20	15/20/25/30/35/40/45/50/55/60
K0125.2A301X	2	5/16-18	13.5	17.5	19	28.5	6.5	12.5	41.2	45.2	64.9	74.4	17.6	20	15/20/25/30/35/40/45/50/55/60
K0125.2A401X	2	3/8-16	13.5	17.5	19	28.5	6.5	12.5	41.2	45.2	64.9	74.4	17.6	20	15/20/25/30/35/40/45/50/55/60
K0125.3A301X	3	5/16-18	16	21	22	37	10	17	51.6	56.1	80.2	91.2	20.7	22	15/20/25/30/35/40/45/50/55/60
K0125.3A401X	3	3/8-16	16	21	22	37	10	17	51.6	56.1	80.2	91.2	20.7	22	15/20/25/30/35/40/45/50/55/60

## KIPP Adjustable Handles 2K with external thread, metric

Item No.	Size	X	D	D1	D2	H	H1	H2	H3	H4	A	A1	B	No. of teeth	L
K0125.10501X	1	M5	10	15	16	24,5	4	10	30	33,5	40,1	48,1	10,1	16	10/15/20/25/30/35/40/45/50
K0125.10601X	1	M6	10	15	16	24,5	4	10	30	33,5	40,1	48,1	10,1	16	10/15/20/25/30/35/40/45/50
K0125.20601X	2	M6	13,5	17,5	19	28,5	6,5	12,5	41,2	45,2	64,9	74,4	17,6	20	15/20/25/30/35/40/45/50/55/60
K0125.20801X	2	M8	13,5	17,5	19	28,5	6,5	12,5	41,2	45,2	64,9	74,4	17,6	20	15/20/25/30/35/40/45/50/55/60
K0125.21001X	2	M10	13,5	17,5	19	28,5	6,5	12,5	41,2	45,2	64,9	74,4	17,6	20	15/20/25/30/35/40/45/50/55/60
K0125.30801X	3	M8	16	21	22	37	10	17	51,6	56,1	80,2	91,2	20,7	22	15/20/25/30/35/40/45/50/55/60
K0125.31001X	3	M10	16	21	22	37	10	17	51,6	56,1	80,2	91,2	20,7	22	15/20/25/30/35/40/45/50/55/60