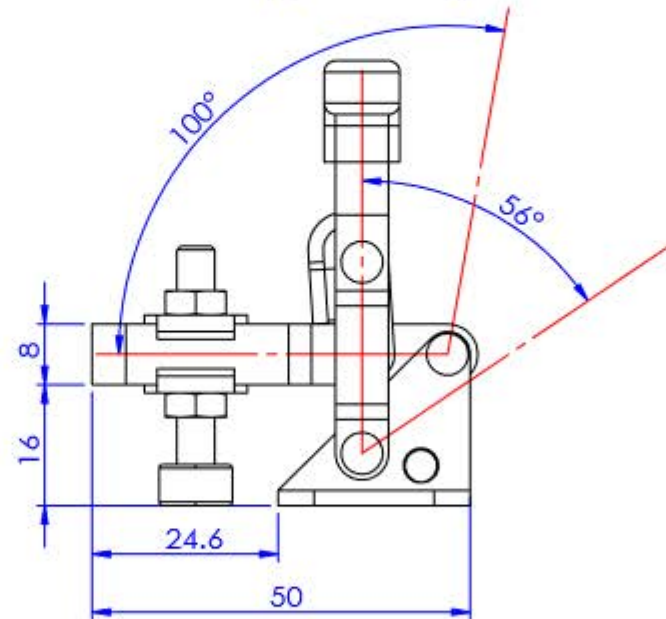
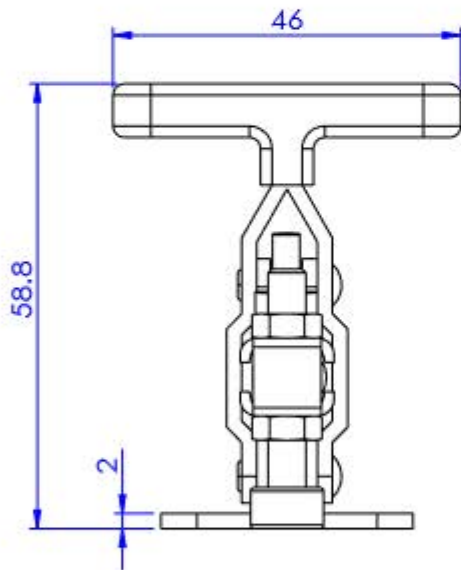
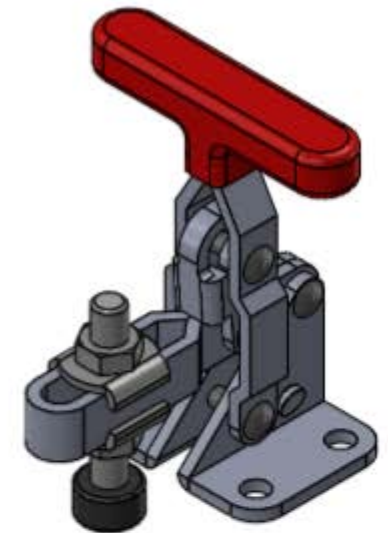
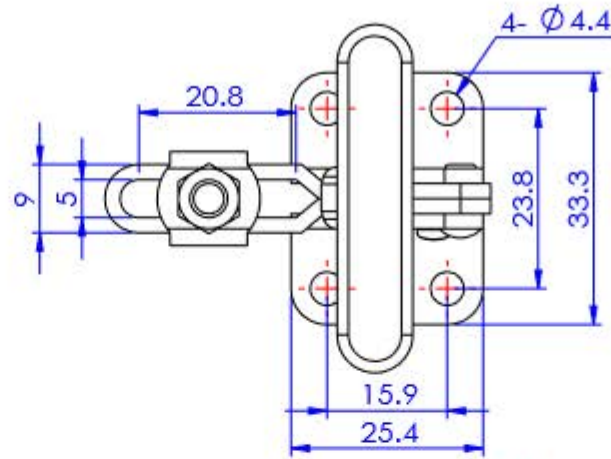


Part No:	GH-101-AT
Holding Capacity:	50Kg
Bar Opens:	100°
Handle Opens:	56°
Weight:	0.06Kg
Spindle Supplied:	FC-053708-LP
Flanged Washers:	FW-100



Unit:mm  
Scale: 1:1

**Good Hand UK Ltd**

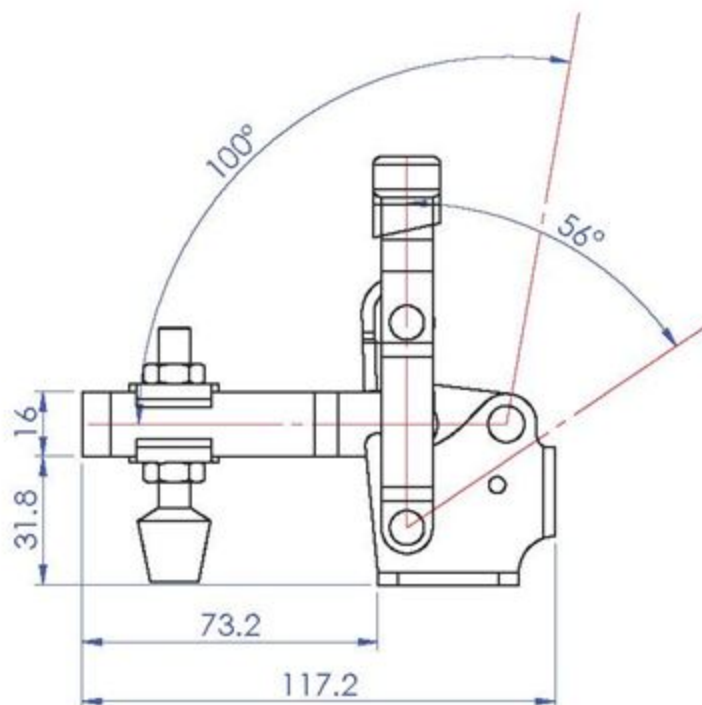
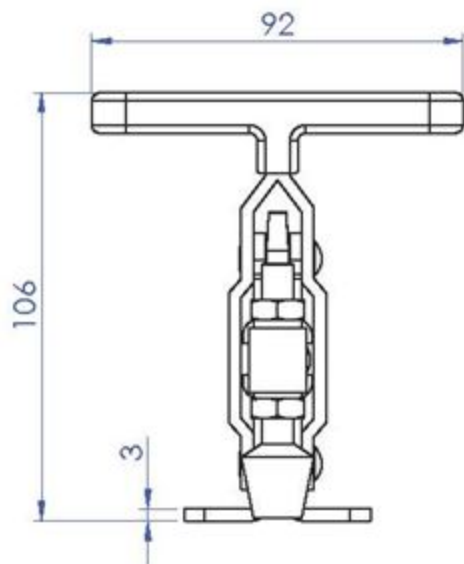
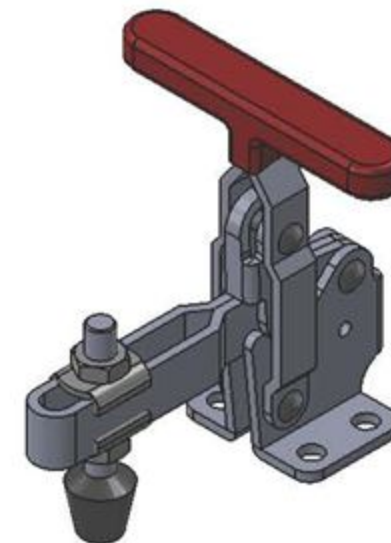
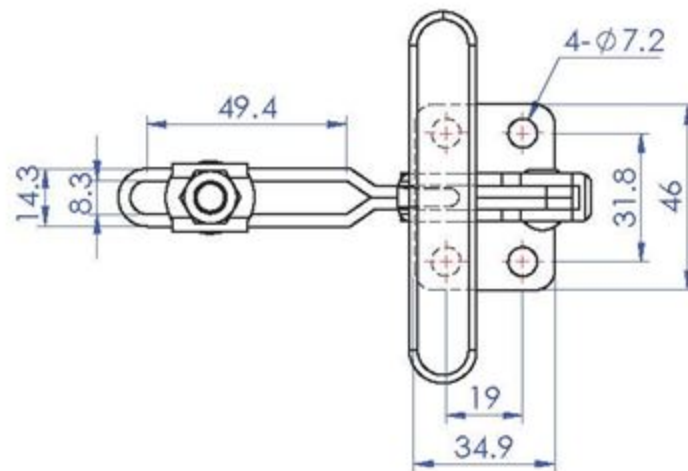
TITLE:

DWG NO.

GH-101-AT

A4

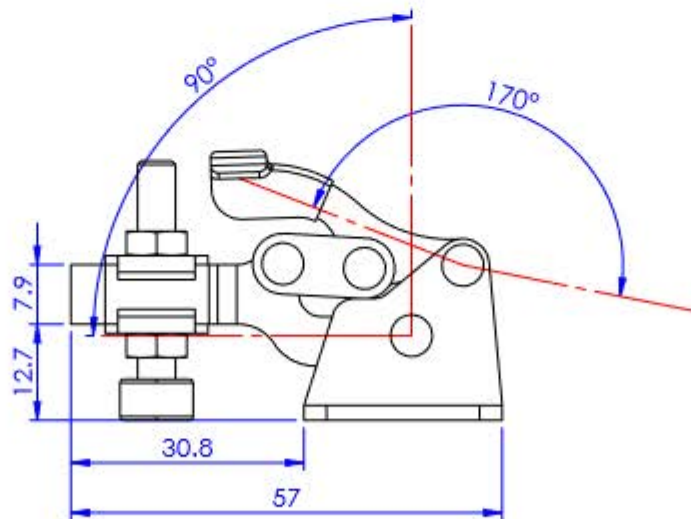
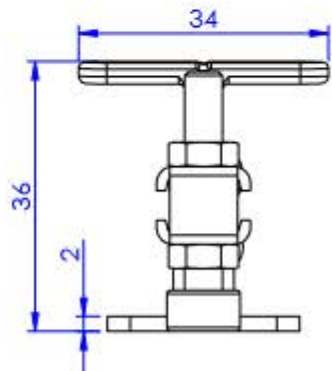
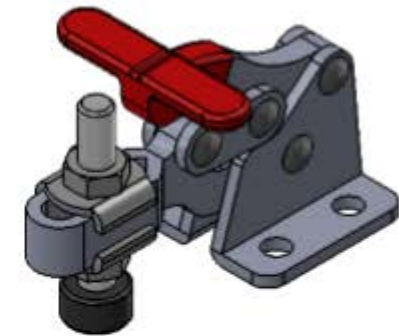
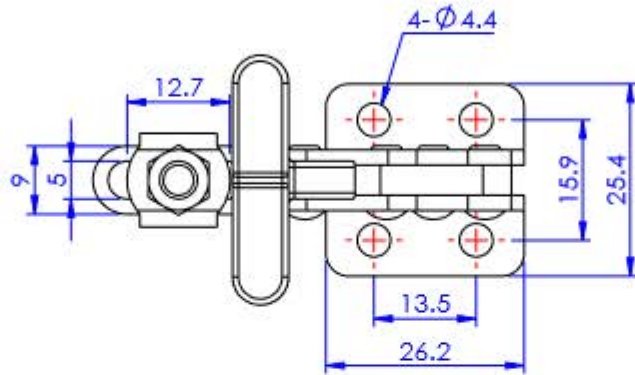
Part No:	GH-12131
Holding Capacity:	227Kg
Bar Opens:	100°
Handle Opens:	56°
Weight:	0.355Kg
Spindle Supplied:	FC-56212
Flanged Washers:	FW-516



Unit:mm  
Scale: 1:2

<b>Good Hand UK Ltd</b>	
TITLE:	
DWG NO.	GH-12131
	A4

Part No:	GH-13005
Holding Capacity:	68Kg
Bar Opens:	90°
Handle Opens:	170°
Weight:	0.06Kg
Spindle Supplied:	FC-053708-LP
Flanged Washers:	FW-100



Unit:mm

Scale: 1:1

**Good Hand UK Ltd**

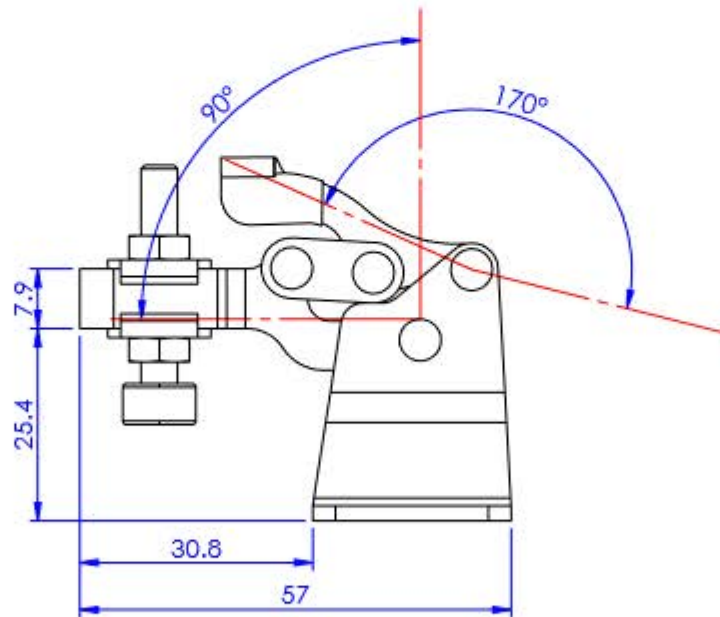
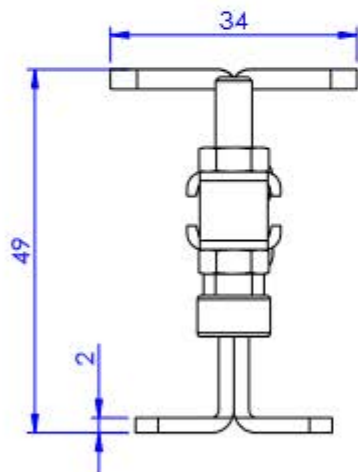
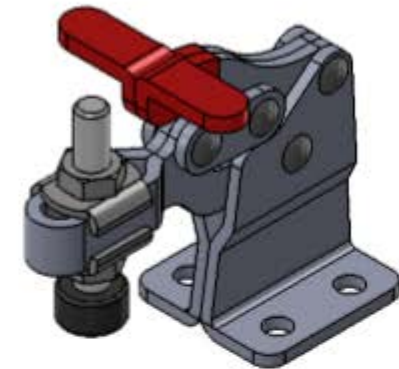
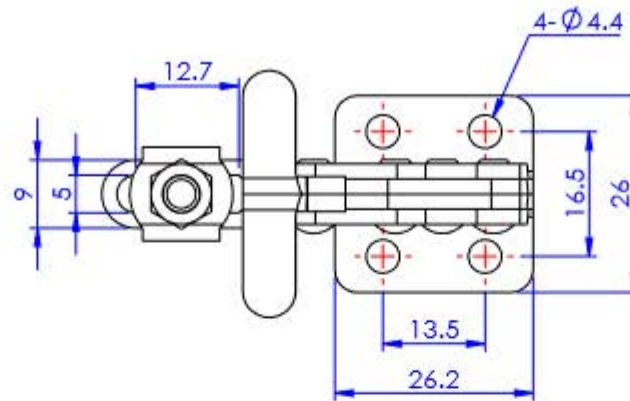
TITLE:

DWG NO.

GH-13005

A4

Part No:	GH-13005-HB
Holding Capacity:	68Kg
Bar Opens:	90°
Handle Opens:	170°
Weight:	0.068Kg
Spindle Supplied:	FC-053708-LP
Flanged Washers:	FW-100



Unit:mm

Scale: 1:1

**Good Hand UK Ltd**

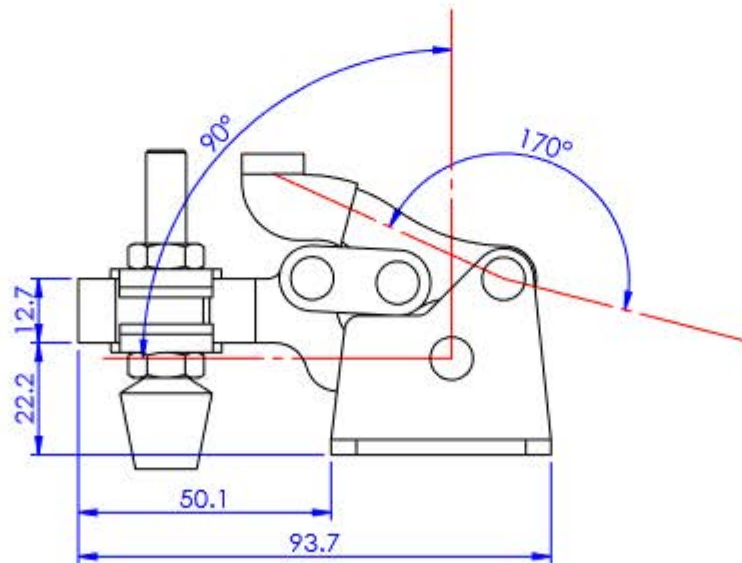
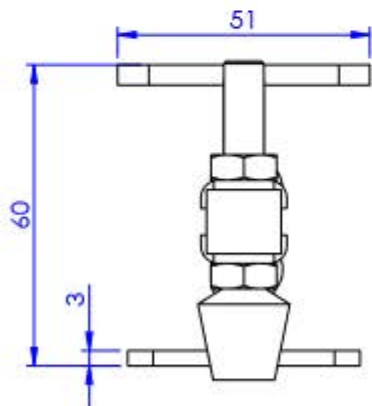
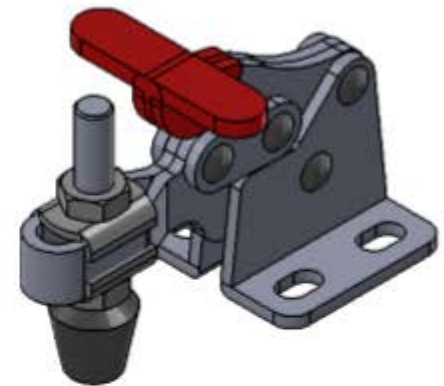
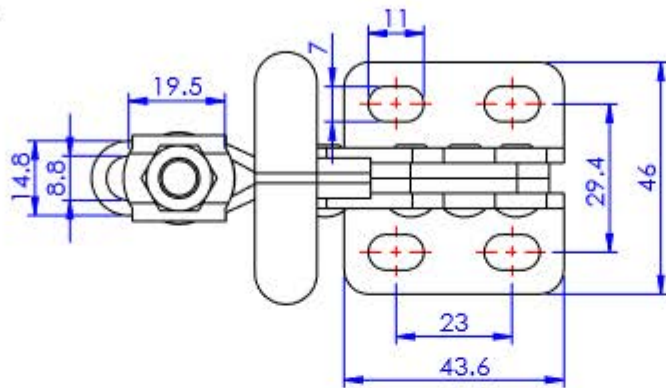
TITLE:

DWG NO.

GH-13005-HB

A4

Part No:	GH-13007
Holding Capacity:	150Kg
Bar Opens:	90°
Handle Opens:	170°
Weight:	0.255Kg
Spindle Supplied:	FC-086312
Flanged Washers:	FW-516



Unit:mm

Scale: 1:1.5

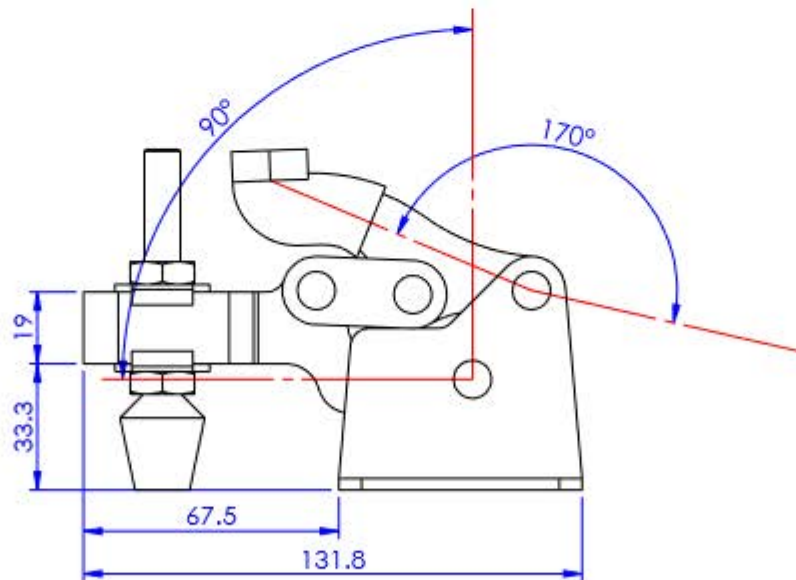
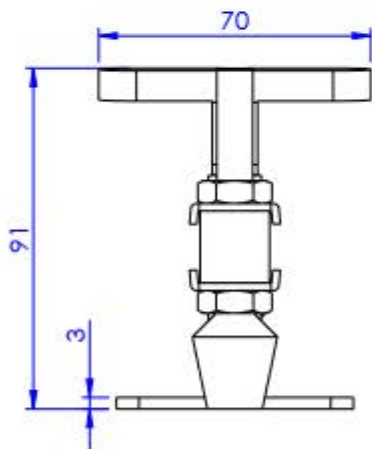
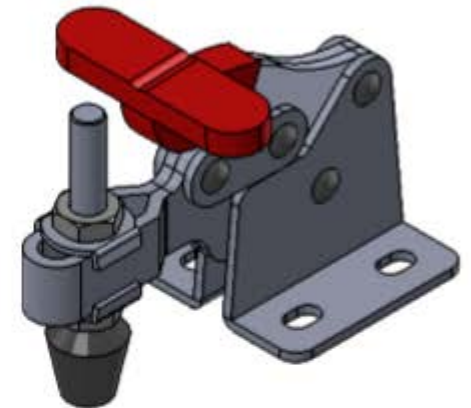
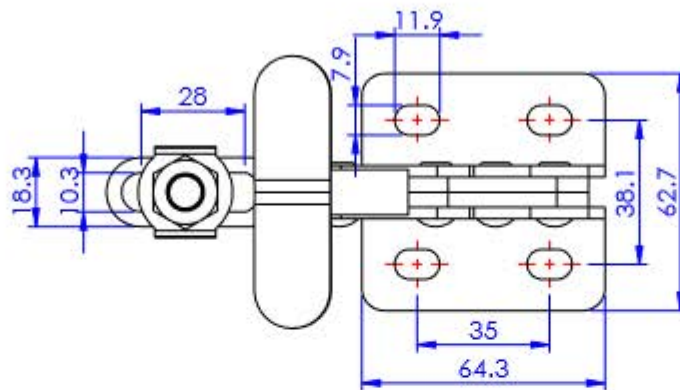
**Good Hand UK Ltd**

TITLE:

DWG NO. GH-13007

A4

Part No:	GH-13008
Holding Capacity:	320Kg
Bar Opens:	90°
Handle Opens:	170°
Weight:	0.585Kg
Spindle Supplied:	FC-108515
Flanged Washers:	FW-380



Unit:mm

Scale: 1:2

**Good Hand UK Ltd**

TITLE:

DWG NO. GH-13008

A4